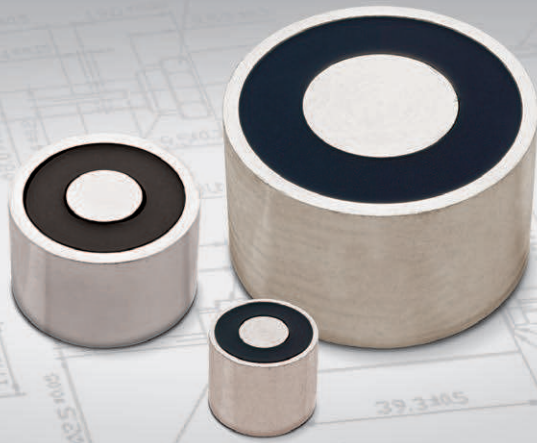


# Electromagnets

## Electromagnets



Sealed

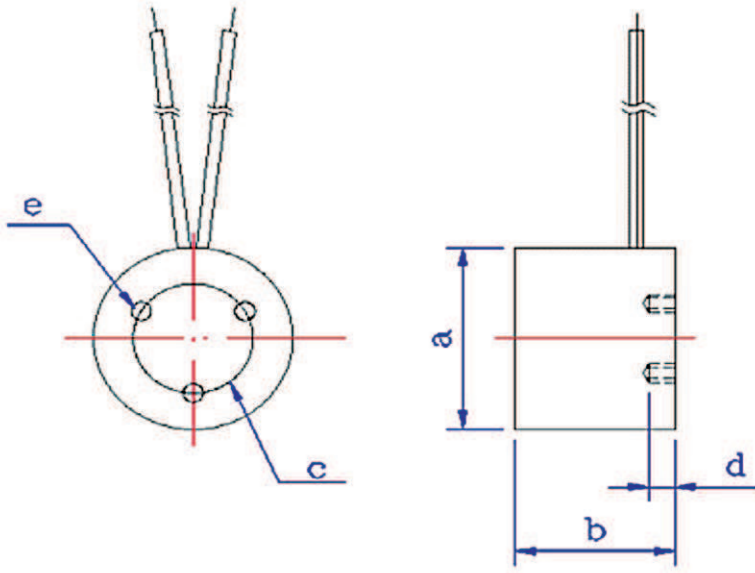
Heavy duty

Strong

**ITS-MS 3025**

**M**

### Type



### Force-stroke-diagram (N/mm)

### Description

Weight: 130 g

Power: 3,8 Watt

Holdingforce: 100 N

Mounting plates (minimum): 3,5 mm

### Dimension

a	b	c	d	e
30	25	22,8	5	M3

### Solenoid Layout

Voltage Rating:

12 VDC (standard)

24 VDC (standard)

### Special development

Do you like a costum designed version (for example frame, force, duty cycle and so on) please send us this form:

[Checklist \(PDF, 390 kB\)](#)