

Linear Solenoids

Frame solenoids standard



Medium frame

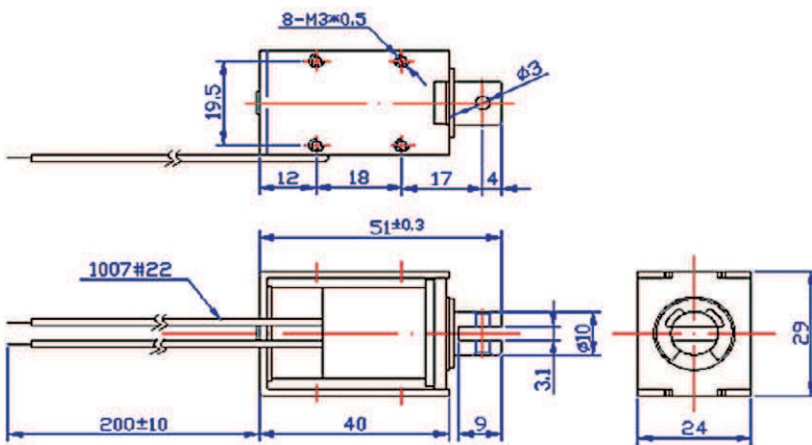
Overload capabilities

Extremely solid

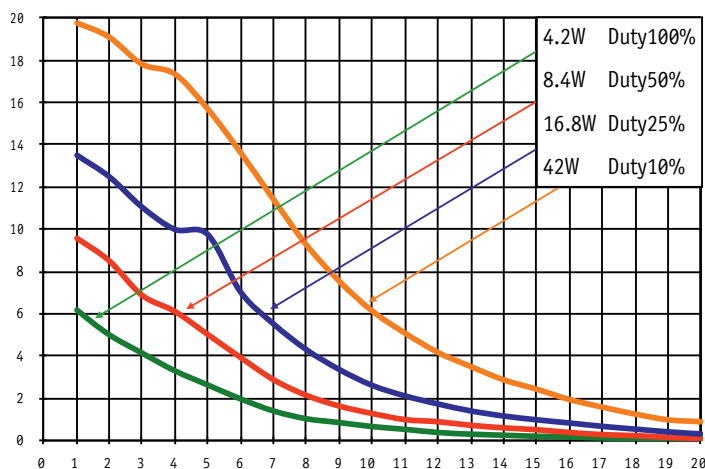
ITS-LS 2924B

M

Type



Force-stroke-diagram (N/mm)



Description

Chaeap and light-weight based on frame mode construction. Including damping ring and dumper inside the case. Open frame solenoid with closed brace.

Small but with overload passably stroke at the 12 - 20 mm.

Weight: 147 g

Coil Data

Relative ED (Percent)	100	50	25	10
Max. Performance (Watt)	4,2	8,4	16,8	42
Max. ED (Seconds)	∞	100	36	7

Solenoid Layout

Version:

Pull Magnet

Pressure Solenoid with spring return

Current:

12 VDC (standard)

24 VDC (standard)

other voltages on request

Special development

Do you like a costum designed version (for example frame, force, duty cycle and so on) please send us this form:

[Checklist \(PDF, 390 kB\)](#)