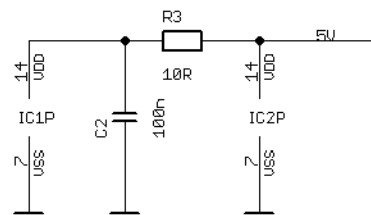
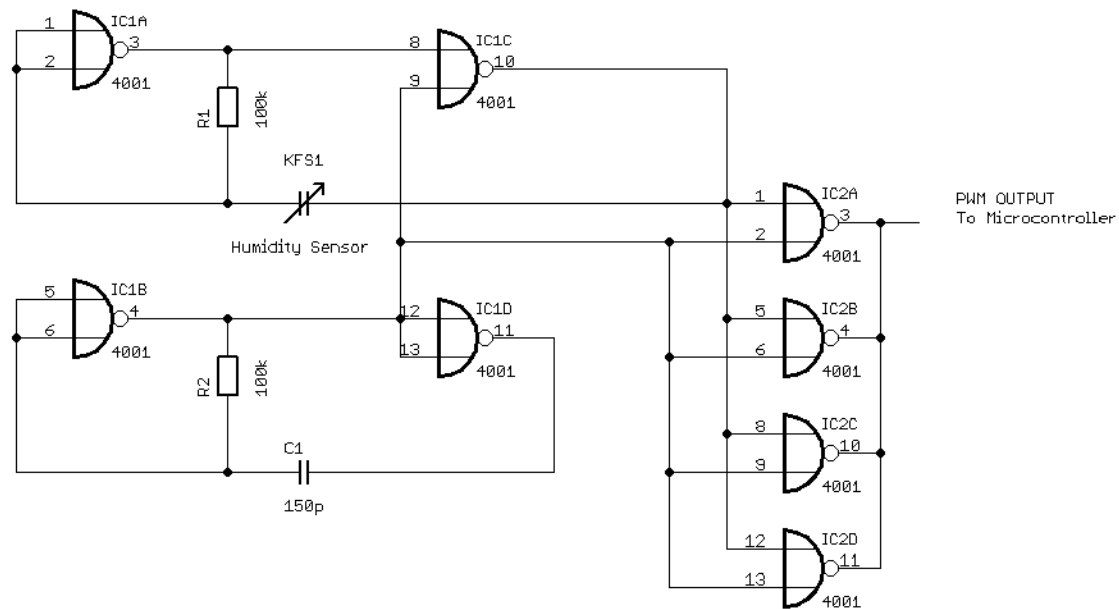


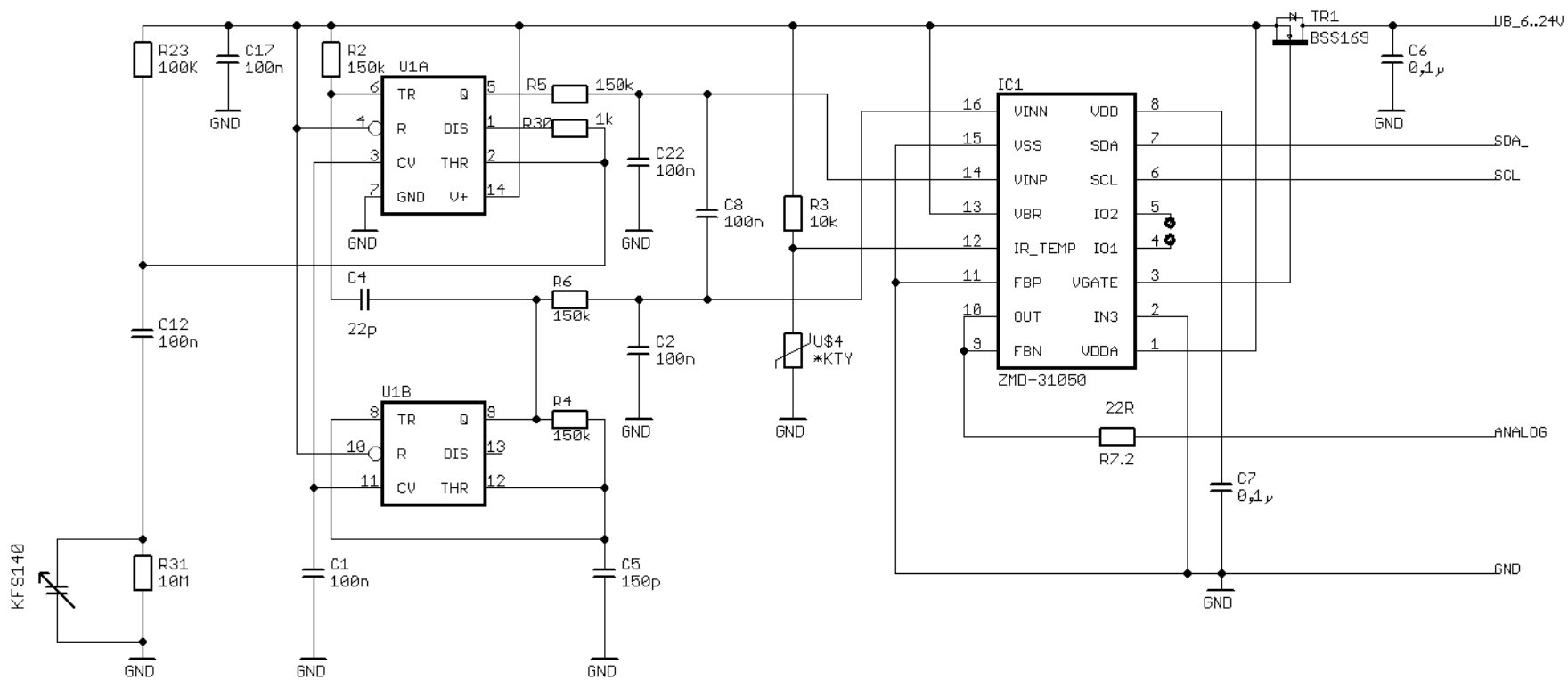
Part	Value
Sensor	KFS140 KFS330
Output	Q6/P4 Q7/P6
C6	150pF 270p

Parts ** are optional
Parts *** are optional for temperature compensation

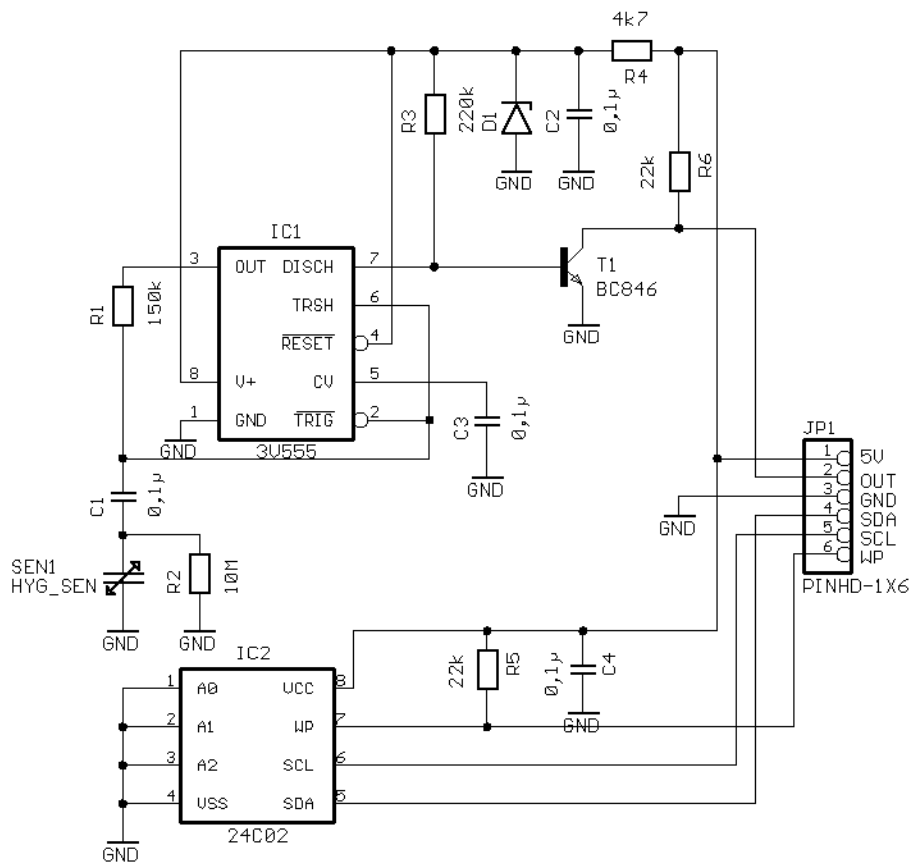
TITLE: Application note analogue circuit	
Document Number:	REV: 4
Date: nicht gespeichert!	Sheet: 1/1



TITLE: Application note with CD4001	
Document Number:	REV:
Date: 11.01.2010 20:32:10	Sheet: 1/1



TITLE: Analogue circuit with ASIC	
Document Number:	REV:
Date: 11.01.2010 21:07:28	Sheet: 1/1



TITLE: 1307H_R4

Document Number:

REV:

Date: 25.02.2004 10:53:40

Sheet: 1/1