

Linear Solenoids

Frame solenoids standard



Medium frame

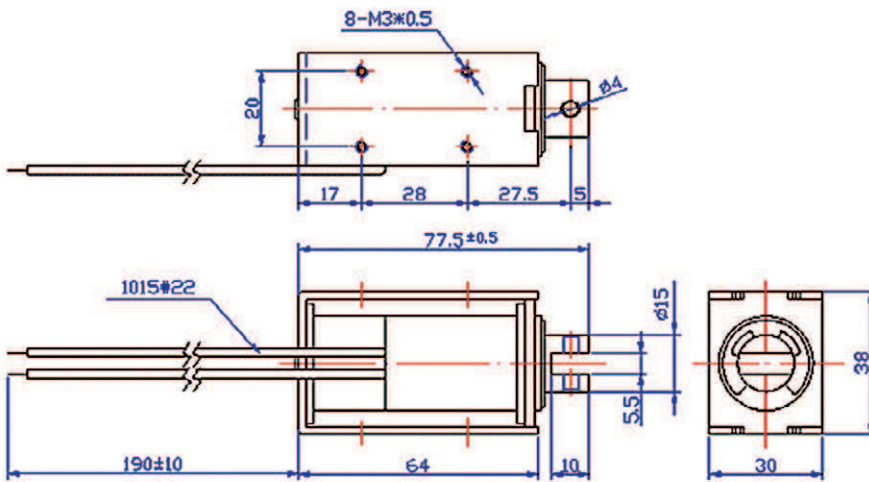
Overload capabilities

Extremely solid

ITS-LS 3830B



Type



Description

Chaeap and light-weight based on frame mode construction. Including damping ring and dumper inside the case. Open frame solenoid with closed brace.

Medium size with overload passably stroke at the 25 - 30 mm.

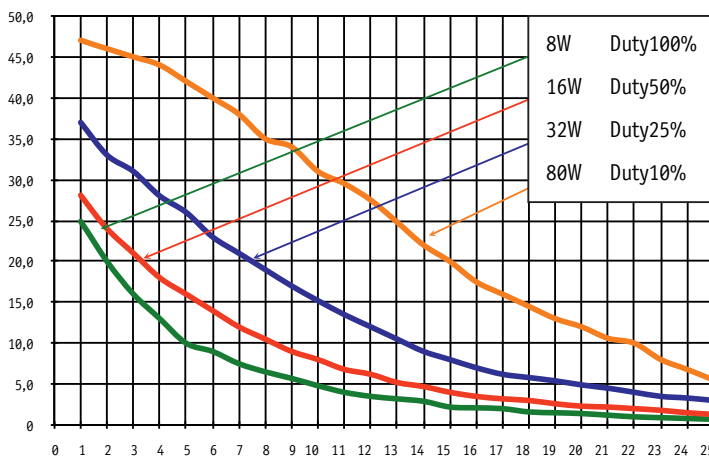
Weight: 317 g

Elevated force at end of the stroke.

Coil Data

Relative ED (Percent)	100	50	25	10
Max. Performance (Watt)	8	16	32	80
Max. ED (Seconds)	∞	140	50	9

Force-stroke-diagram (N/mm)



Solenoid Layout

Version:

Pull Magnet

Pressure Solenoid with spring return

Current:

12 VDC (standard)

24 VDC (standard)

other voltages on request

Special development

Do you like a costum designed version (for example frame, force, duty cycle and so on) please send us this form:

[Checklist \(PDF, 390 kB\)](#)



Intertec Components GmbH
Specialized Department:
Red Magnetism
Erdinger Str. 45
85356 Freising · Germany

Contact:
Phone: 0049-(0)8161-9913-0
Fax: 0049-(0)8161-9913-20
E-Mail: service@red-magnetism.com
Info: www.red-magnetism.com