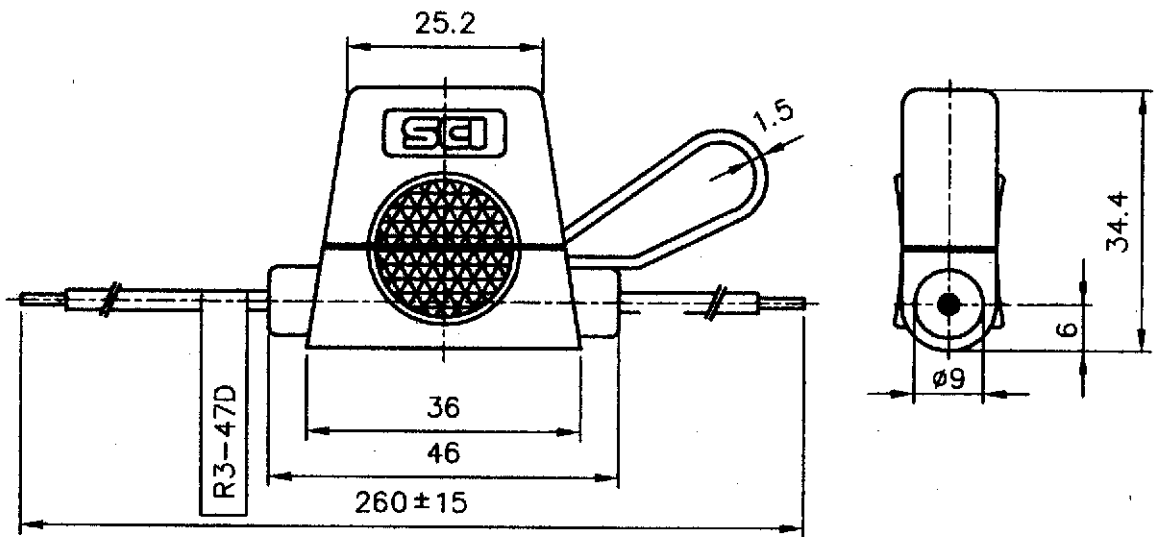


Rating	See table	Mount Hole	Circuit Structure
Contact R		Nil	Nil
Insulation R	DC 500V 100M ohm Min.		
Dielectric Strength	AC 1500V 1 minute		
FUSE TYPE	BLADE FUSE		



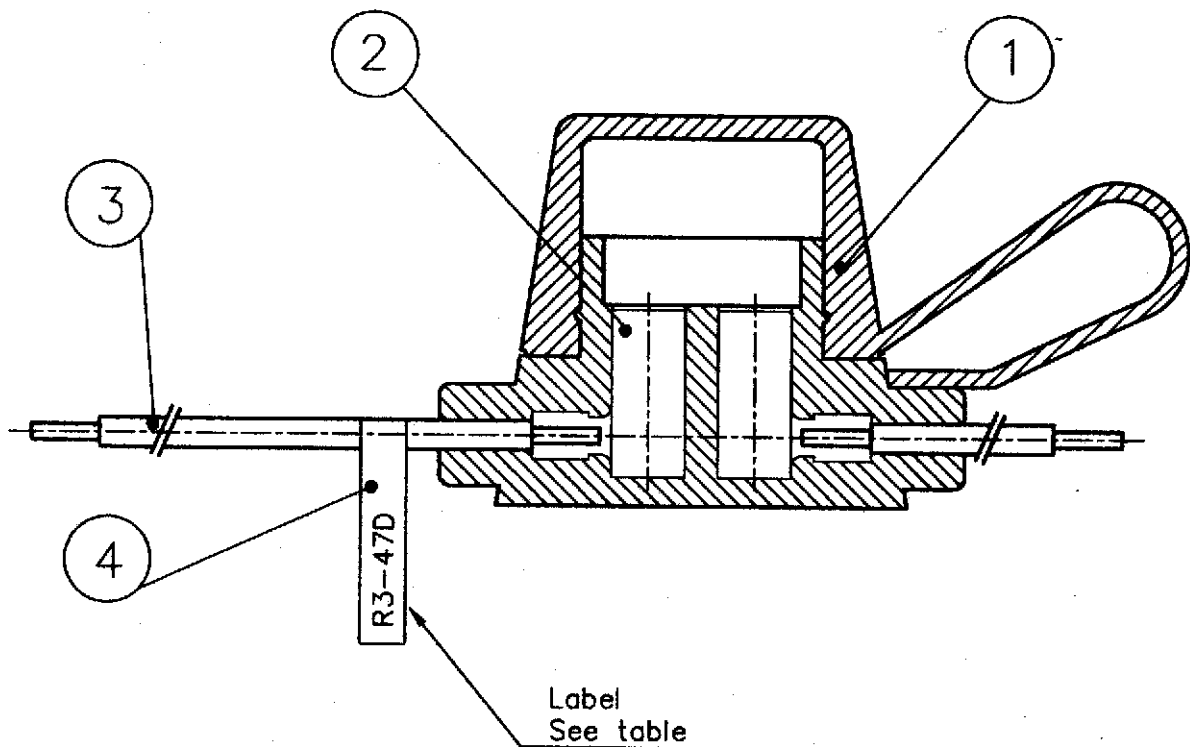
R3-47



TYPE	UL 1015 WIRE	RATING	WIRE COLOR
A	12AWG	30A 32V DC	Green Δ
B	14AWG	20A 32V DC	Yellow Δ
C	16AWG	15A 32V DC	Blue Δ
D	18AWG	10A 32V DC	Red

C2\W14\R3\47-0

Customer No.	No.	Date	Name	Descriptions
SCI No.	Δ	9/6/60	黃俊仁	變更電線外皮顏色
Model No.	R3-47			
Drawing	Check	Approval		



R3-47

TYPE	UL 1015 WIRE	RATING	WIRE COLOR
A	12AWG	30A 32V DC	Green Δ
B	14AWG	20A 32V DC	Yellow Δ
C	16AWG	15A 32V DC	Blue Δ
D	18AWG	10A 32V DC	Red

4	Label	1	See table			
3	Wire	2	See table			
2	Terminal	2	Copper alloy		Sn-plating	
1	Housing	1	PVC45% 105°			
No	Description	Q'ty	Material	Spec	Finish	Thickness

Customer No.		No.	Date	Name	Descriptions
SCI No.		Δ	9/4/00	黃俊仁	變更電線外皮顏色
Model No.	R3-47				
Drawing	Check	Approval			
 黃俊仁 88.9.5	 李景煊 88.9.6	 李景煊 88.9.6			
	9/7/00				