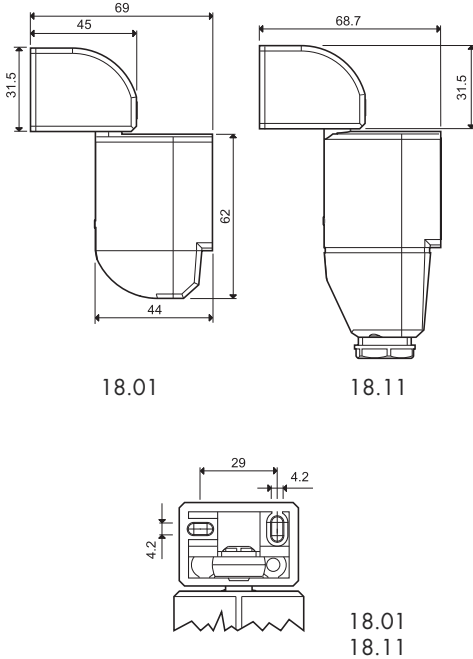


Features

Movement detector for internal or external installations - wall mounting

- Small size
- Adjustable ambient light intervention threshold
- Adjustable Light On Time
- Universal mounting position - permits the selection of any area for survey
- Wide angle of survey



18.01

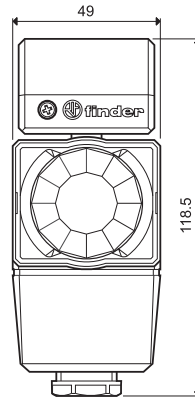
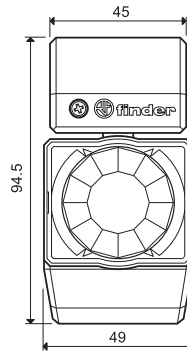


18.11



- 1 NO (SPST-NO) 10 A
- Internal installations
- Particularly suited for wall mounting

- 1 NO (SPST-NO) 10 A
- External installations
- Particularly suited for wall mounting

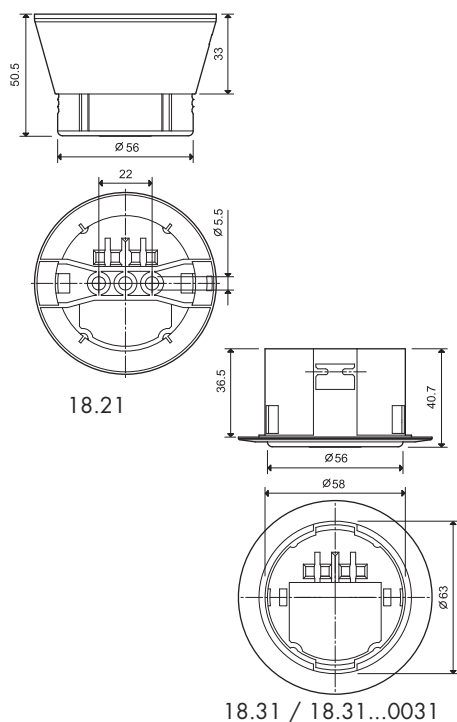


| Contact specification | | | | | |
|---|-----------------|-----------------------|-------|-----------------------|-------|
| Number of contacts | | 1 NO (SPST-NO) | | 1 NO (SPST-NO) | |
| Rated current/Maximum peak current | A | 10/20 (100 A - 5 ms) | | 10/20 (100 A - 5 ms) | |
| Rated voltage/Maximum switching voltage | V AC | 230/230 | | 230/230 | |
| Rated load AC1 | VA | 2,300 | | 2,300 | |
| Rated load AC15 | (120/230 V) VA | 250 | 450 | 250 | 450 |
| Nominal lamp rating: incandescent | (120/230 V) W | 500 | 1,000 | 500 | 1,000 |
| compensated fluorescent | (120/230 V) W | 200 | 350 | 200 | 350 |
| uncompensated fluorescent | (120/230 V) W | 250 | 500 | 250 | 500 |
| halogen | (120/230 V) W | 500 | 1,000 | 500 | 1,000 |
| Standard contact material | | AgSnO ₂ | | AgSnO ₂ | |
| Coil specification | | | | | |
| Nominal voltage | V AC (50/60 Hz) | 120...230 | | 120...230 | |
| | DC | - | | - | |
| Rated power AC/DC | VA (50 Hz)/W | 2.5/- | | 2.5/- | |
| Operating range | V AC (50/60 Hz) | 96...253 | | 96...253 | |
| | DC | - | | - | |
| Technical data | | | | | |
| Electrical life at rated load AC1 | cycles | 100 · 10 ³ | | 100 · 10 ³ | |
| Ambient light intervention threshold | lx | 5...350 | | 5...350 | |
| Light on time after last detection | | 10 s...12 min | | 10 s...12 min | |
| Angle of survey | | 110° | | 110° | |
| Depth of field | m | 10 | | 10 | |
| Ambient temperature range | °C | -10...+50 | | -30...+50 | |
| Protection category | | IP 40 | | IP 54 | |
| Approvals (according to type) | | | | | |

Features

Movement detector for internal installations

- Ceiling mounting
- Small size
- Adjustable ambient light intervention threshold
- Adjustable Light On Time
- Wide angle of survey



18.21



- 1 NO (SPST-NO) 10 A
- Internal ceiling installation
- Surface mounting
- Output connected to supply voltage

18.31

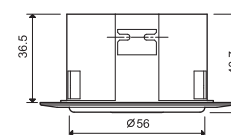
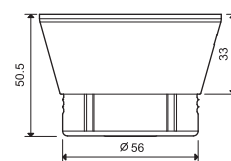
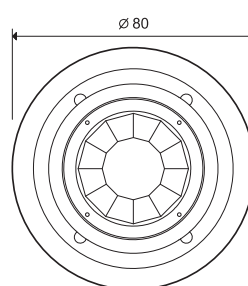
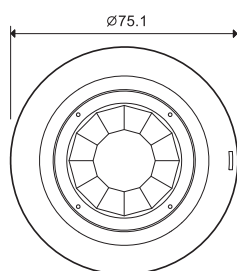


- 1 NO (SPST-NO) 10 A
- Internal ceiling installation
- Recessed mounting
- Output connected to supply voltage

NEW 18.31...0031



- 1 NO 10 A
- Internal ceiling installation
- Recommended for applications with high ceilings (up to 6 meters)
- Light ON time after last detection (30 s...35 min)



Contact specification

| | | | | | | |
|---|----------------------|-------|----------------------|-------|----------------------|-------|
| Number of contacts | 1 NO (SPST-NO) | | 1 NO (SPST-NO) | | 1 NO (SPST-NO) | |
| Rated current/Maximum peak current A | 10/20 (100 A - 5 ms) | | 10/20 (100 A - 5 ms) | | 10/20 (100 A - 5 ms) | |
| Rated voltage/Maximum switching voltage V AC | 230/230 | | 230/230 | | 230/230 | |
| Rated load AC1 VA | 2,300 | | 2,300 | | 2,300 | |
| Rated load AC15 (120/230 V) VA | 250 | 450 | 250 | 450 | 250 | 450 |
| Nominal lamp rating: incandescent (120/230 V) W | 500 | 1,000 | 500 | 1,000 | 500 | 1,000 |
| compensated fluorescent (120/230 V) W | 200 | 350 | 200 | 350 | 200 | 350 |
| uncompensated fluorescent (120/230 V) W | 250 | 500 | 250 | 500 | 250 | 500 |
| halogen (120/230 V) W | 500 | 1,000 | 500 | 1,000 | 500 | 1,000 |

Standard contact material

AgSnO₂

AgSnO₂

AgSnO₂

Coil specification

| | | | |
|---------------------------------|-----------|-----------|-----------|
| Nominal voltage V AC (50/60 Hz) | 120...230 | 120...230 | 120...230 |
| DC | — | — | — |
| Rated power AC/DC VA (50 Hz)/W | 2/1 | 2/1 | 2/1 |
| Operating range V AC (50/60 Hz) | 96...253 | 96...253 | 96...253 |
| DC | — | — | — |

Technical data

| | | | |
|--|-----------------------|-----------------------|-----------------------|
| Electrical life at rated load AC1 cycles | 100 · 10 ³ | 100 · 10 ³ | 100 · 10 ³ |
| Ambient light intervention threshold lx | 5...350 | 5...350 | 5...350 |
| Light on time after last detection | 10 s...12 min | 10 s...12 min | 30 s...35 min |
| Angle of survey | 110° | 110° | 110° |
| Sensing area diameter m | See diagram page 6 | See diagram page 6 | See diagram page 6 |
| Ambient temperature range °C | -10...+50 | -10...+50 | -10...+50 |
| Protection category | IP 40 | IP 40 | IP 40 |

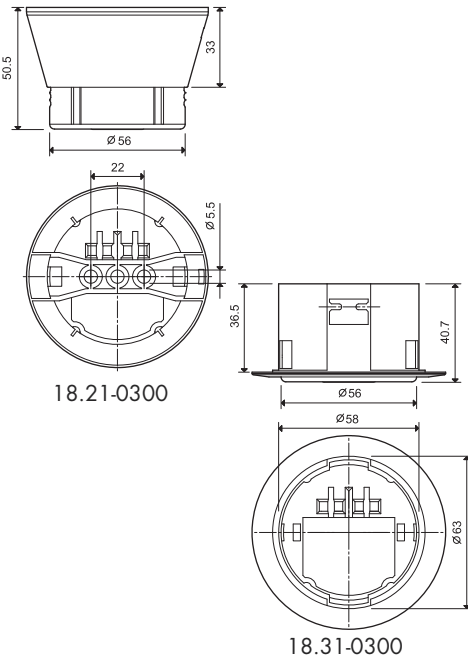
Approvals (according to type)



Features

Movement detector for internal installations, with potential free contact

- Applications where interface to PLC or BMS is required
- Ceiling mounting
- Small size
- Adjustable ambient light intervention threshold
- Adjustable Light On Time
- Wide angle of survey



NEW 18.21-0300

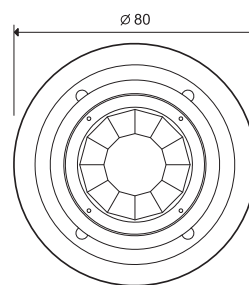
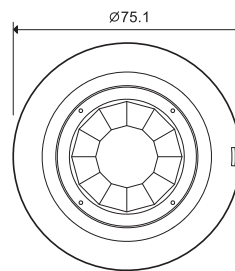


- 1 NO (SPST-NO) 10 A
- Internal ceiling installation
- Surface mounting
- Output with potential free contact

NEW 18.31-0300



- 1 NO (SPST-NO) 10 A
- Internal ceiling installation
- Recessed mounting
- Output with potential free contact



Contact specification

| | | |
|--|----------------------|----------------------|
| Number of contacts | 1 NO (SPST-NO) | 1 NO (SPST-NO) |
| Rated current/Maximum peak current A | 10/20 (100 A - 5 ms) | 10/20 (100 A - 5 ms) |
| Rated voltage/Maximum switching voltage V AC | 250/400 | 250/400 |
| Rated load AC1 VA | 2,500 | 2,500 |
| Rated load AC15 (230 V) VA | 450 | 450 |
| Nominal lamp rating: incandescent (230 V) W | 1,000 | 1,000 |
| compensated fluorescent (230 V) W | 350 | 350 |
| uncompensated fluorescent (230 V) W | 500 | 500 |
| halogen (230 V) W | 1,000 | 1,000 |
| Standard contact material | AgSnO ₂ | AgSnO ₂ |

Coil specification

| | | |
|---------------------------------|-------------|-------------|
| Nominal voltage V AC (50/60 Hz) | 120...230 | 120...230 |
| V AC (50/60 Hz)/DC | 24 | 24 V |
| Rated power AC/DC VA (50 Hz)/W | 2/1 | 2/1 |
| Operating range V AC (50/60 Hz) | 96...253 | 96...253 |
| V AC (50/60 Hz)/DC | 19.2...26.4 | 19.2...26.4 |

Technical data

| | | |
|--|-----------------------|-----------------------|
| Electrical life at rated load AC1 cycles | 100 · 10 ³ | 100 · 10 ³ |
| Ambient light intervention threshold lx | 5...350 | 5...350 |
| Light on time after last detection | 10 s...12 min | 10 s...12 min |
| Angle of survey | 110° | 110° |
| Sensing area diameter m | See diagram page 6 | See diagram page 6 |
| Ambient temperature range °C | -10...+50 | -10...+50 |
| Protection category | IP 40 | IP 40 |

Approvals (according to type)



Ordering information

Example: 18 series, movement detector for internal installations, wall mounting, 1 NO (SPST-NO) 10 A contact, 120...230 V AC supply.

1 8 . 0 1 . 8 . 2 3 0 . 0 0 0 0

- Series** —————
- Type** —————
- 0 = Internal installation - wall mounting
- 1 = External installations
- 2 = Internal ceiling installation - surface mounting
- 3 = Internal ceiling installation - recessed mounting
- Contact circuit** —————
- 0 = Voltage output
- 3 = Volt-free output contact (18.21/31-0300 only)
- Supply voltage** —————
- 024 = 24 V AC/DC for types 18.21/31-0300 only
- 230 = 120...230 V
- Supply version** —————
- 0 = AC (50/60 Hz)/DC (24 V only)
- 8 = AC (50/60 Hz)
- No. of poles** —————
- 1 = Single pole switching 1 NO (SPST-NO), 10 A
- Special version** —————
- 31 = High ceilings, (30 s...35 min)

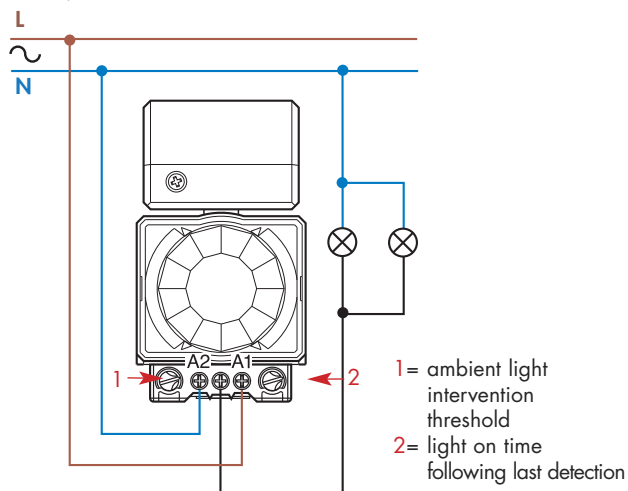
Technical data

| Insulation | |
|--|--|
| Dielectric strength between open contacts V AC | 1,000 |
| Between supply and contact V AC | 1,500 (types 18.21...0300, 18.31...0300) |
| Other data | |
| ⊕ Screw torque Nm | 0.5 |
| Max. cable size mm ² | 1.5 |

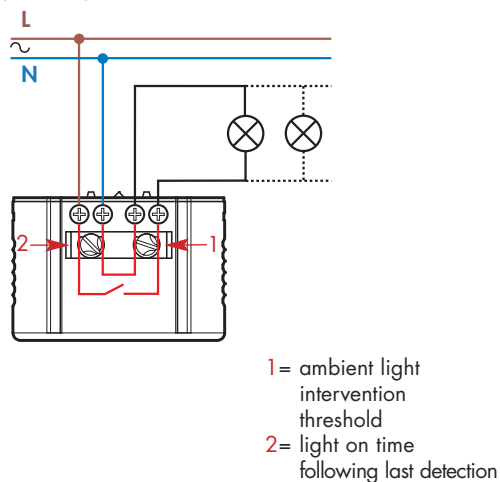
- Following the initial power-on, and power-on following a power interruption, the detector makes a hardware-software initialisation for approximately 30 seconds. However, the behavior of the output during this 30 seconds will depend on certain circumstances:
 - If the detector was in the On state before the power interruption, and if the lighting level is (currently) below the pre-set threshold, then the output contact will immediately close when the power is re-applied, for the time delay set by the potentiometer (irrespective of whether movement is being detected).
 - If the detector was in the Off state before the power interruption, or if the ambient light is currently over the pre-set threshold, then the detector will not switch-on until the end of the initialisation phase (assuming movement is then detected).

Wiring diagram

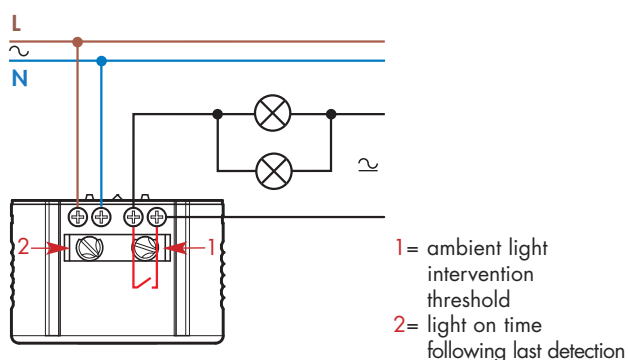
Type 18.01 / 18.11



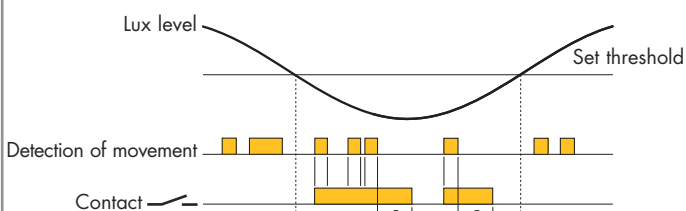
Type 18.21 / 18.31 / 18.31...0031



Type 18.21-0300 / 18.31-0300

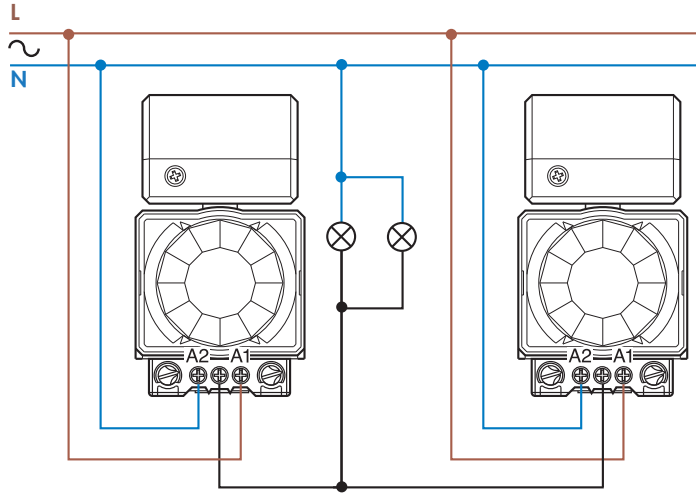


The output relay will remain On for the pre-set time, following the last detection of movement.



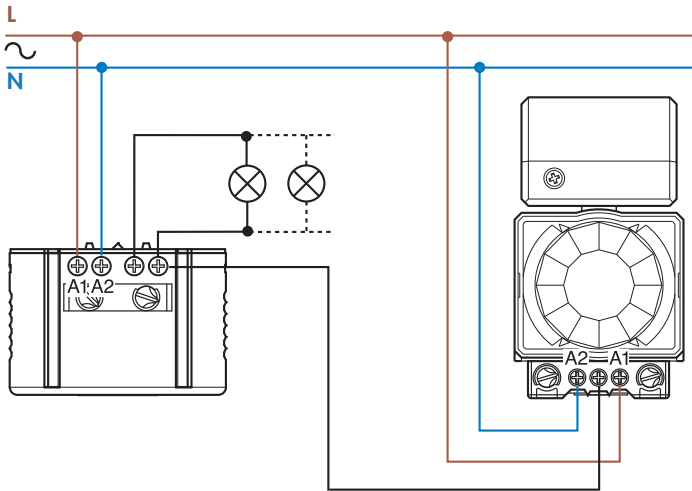
Wiring diagram - Parallel connection

Type 18.01 / 18.11



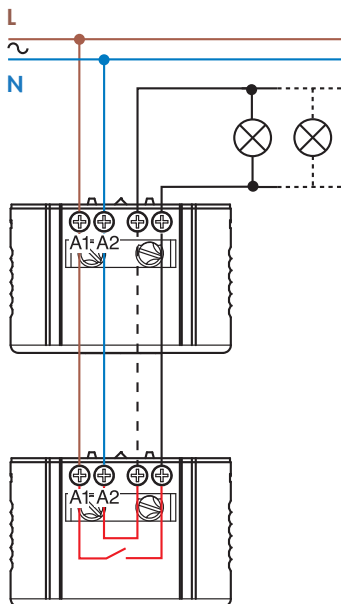
Note: keep the polarity indicated for Phase and Neutral

Type 18.01 / 18.21



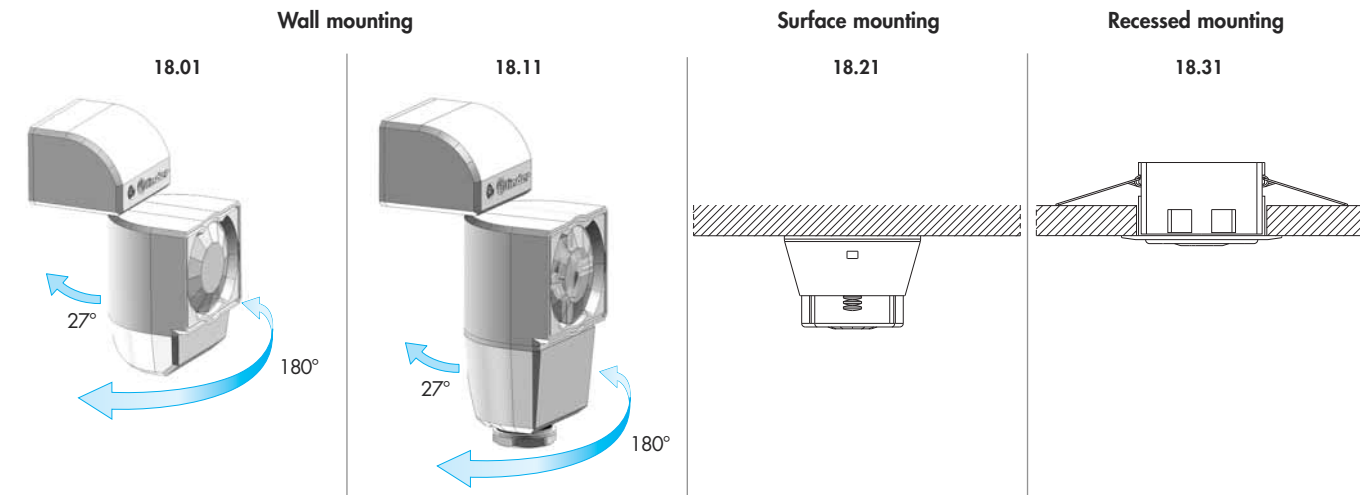
Note: keep the polarity indicated for Phase and Neutral

Type 18.21 / 18.31 / 18.31...0031



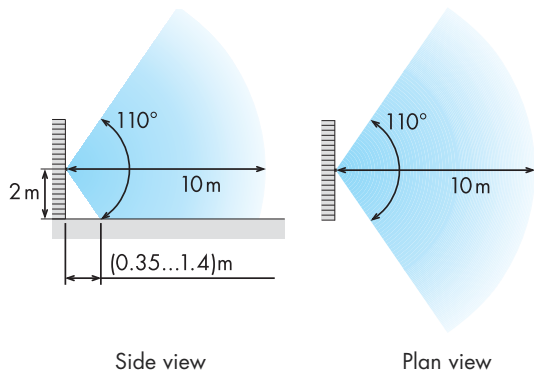
Note: keep the polarity indicated for Phase and Neutral

Mounting and orientation

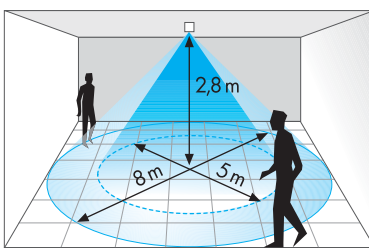


Sensing area

18.01, 18.11 - Wall mounting

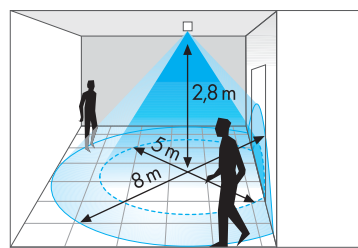


18.01 - Ceiling mounting



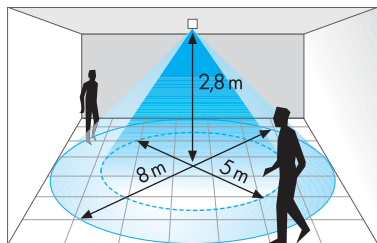
Internal installations

18.11 - Ceiling mounting

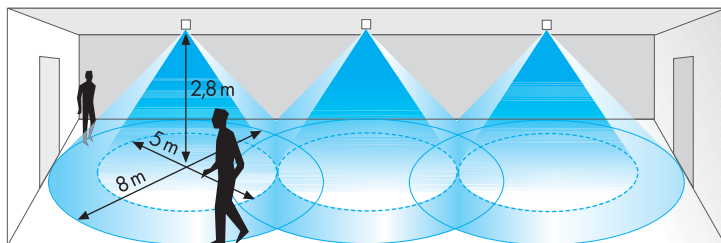


External installations

18.21, 18.31 - Internal ceiling installation, surface mounting or recessed mounting

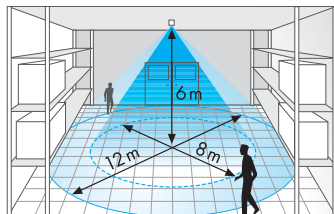


Single installation

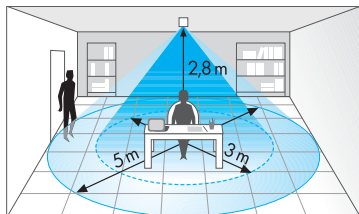


Multiple installation

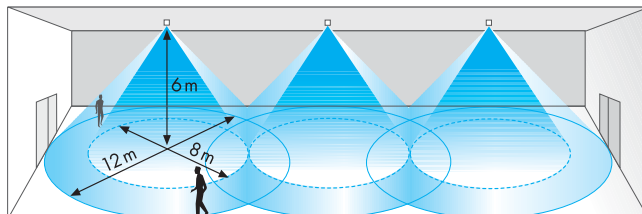
18.31...0031 - High ceilings installations



For applications with high ceilings (up to 6 meters)

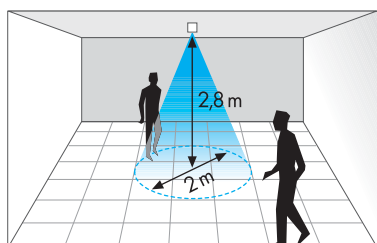


Movement and presence detector



Multiple installation

Accessories



Beam limiter for 18.21 and 18.31 movement detectors

Reduces the area of survey to 2 meters diameter (versus 8m) at an installation height of 2.8 meters.
(Note: with the beam limiter the ambient light intervention threshold feature will be increased significantly)