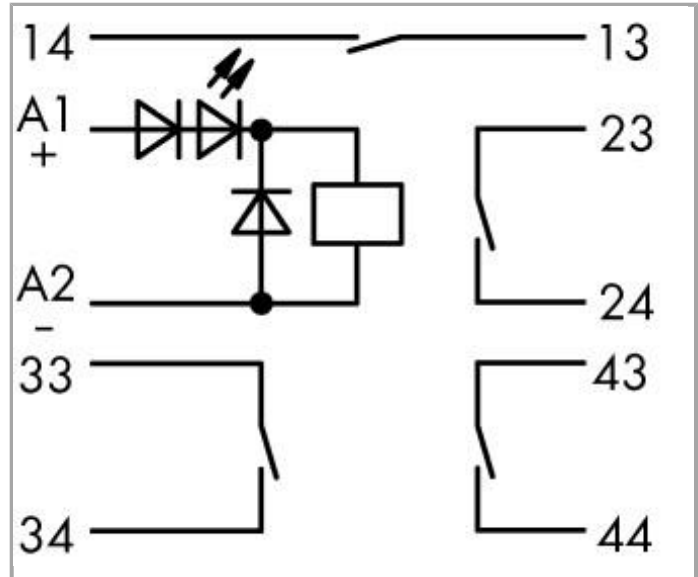


Data sheet | Item number: 286-352/004-000

Relay module; Nominal input voltage: 24 VDC; 4 make contacts; Limiting continuous current: 5 A; Path; Red status indicator; Module width: 25 mm



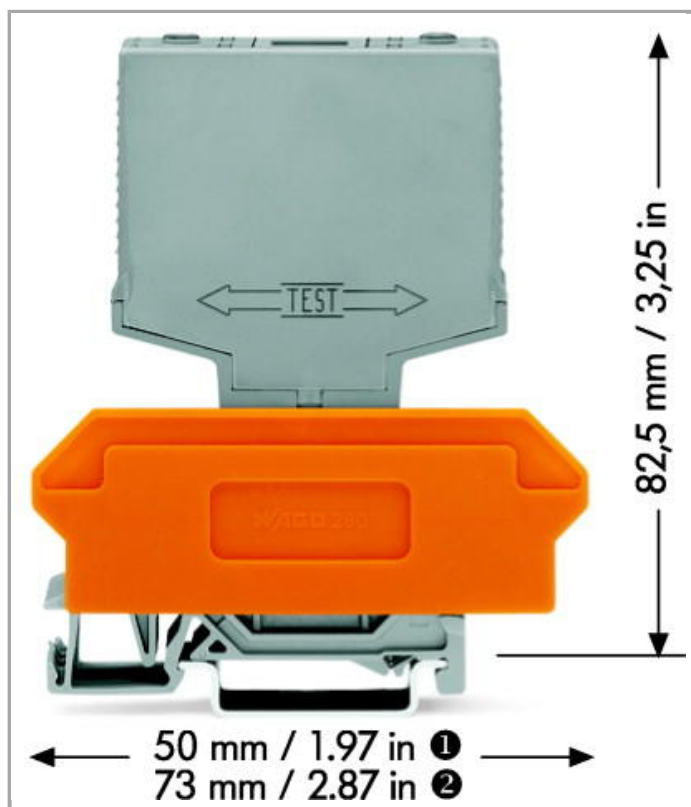
www.wago.com/286-352/004-000



RoHS Compliant

BOMcheck.net

Color: ■



Data
Technical Data

Control circuit

Nominal input voltage U_N	24 VDC
Input voltage range	-30 ... +25 %
Nominal input current at U_N	8.5 mA

Load circuit:

Number of make contacts/switch on contacts	4
Contact material (relay)	AgNi + Au
Limiting continuous current	5 A
Max. switching voltage	250 VAC
Pull-in time (typ.)	10 ms
Drop-out time (typ.)	5 ms
Bounce time (typ.)	2 ms

Safety and protection:

Rated voltage	250 V
Rated impulse voltage	2.5 kV

Pollution degree	2
Dielectric strength, control/load circuit (AC, 1 min)	1.5 kV _{rms}
Dielectric strength, control/load circuit (AC, 1 min)	1.5 kV _{rms}
Degree of protection	IP20

Geometrical Data

Width	25 mm / 0.984 inch
Height from upper-edge of DIN-35 rail	82.5 mm / 3.248 inch
Depth	52 mm / 1.654 inch

Mechanical data

Type of mounting	Pluggable module for carrier terminal blocks
------------------	--

Material Data

Color	gray
Fire load	0.745 MJ
Weight	40.1 g

Environmental Requirements

Surrounding air (operating) temperature at U _N	-25 ... 70 °C
Pollution degree	2

Standards and specifications

Standards/specifications	EN 60664-1
--------------------------	------------

Commercial data

Country of origin	DE
GTIN	4055143104760
Customs Tariff No.	85364900990
Product Group	6 (Interface Electronics)

Compatible products

Marking accessories



Item no.: 209-701
WSB marking card; as card; not stretchable; plain; snap-on type

www.wago.com/209-701



Item no.: 209-701/000-002
WSB marking card; as card; not stretchable; plain; snap-on type

www.wago.com/209-701/000-002



Item no.: 209-701/000-005
WSB marking card; as card; not stretchable; plain; snap-on type

www.wago.com/209-701/000-005



Item no.: 209-701/000-006
WSB marking card; as card; not stretchable; plain; snap-on type

www.wago.com/209-701/000-006



Item no.: 209-701/000-007
WSB marking card; as card; not stretchable; plain; snap-on type

www.wago.com/209-701/000-007



Item no.: 209-701/000-012
WSB marking card; as card; not stretchable; plain; snap-on type

www.wago.com/209-701/000-012



Item no.: 209-701/000-017
WSB marking card; as card; not stretchable; plain; snap-on type

www.wago.com/209-701/000-017



Item no.: 209-701/000-023
WSB marking card; as card; not stretchable; plain; snap-on type

www.wago.com/209-701/000-023



Item no.: 209-701/000-024
WSB marking card; as card; not stretchable; plain; snap-on type

www.wago.com/209-701/000-024

Downloads

Documentation

Bid Text

286-352/004-000 Relaisbaustein	Jan 22, 2016	DOC 27.1 kB	Download
-----------------------------------	--------------	----------------	----------

Additional Information

Disposal; Electrical and electronic equipment, Packaging	Oct 15, 2018	265.8 kB	Download
--	--------------	----------	----------

Subject to changes.

WAGO Kontakttechnik GmbH & Co. KG
Hansastr. 27
32423 Minden
Phone: +49571 887-0 | Fax: +49571 887-169
Email: info.de@wago.com | Web: www.wago.com

Do you have any questions about our products?
We are always happy to take your call at +49 (571) 887-44222.