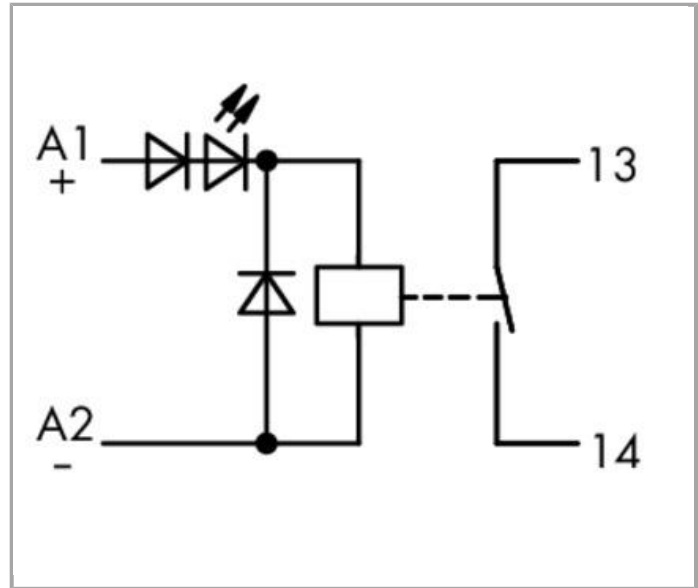


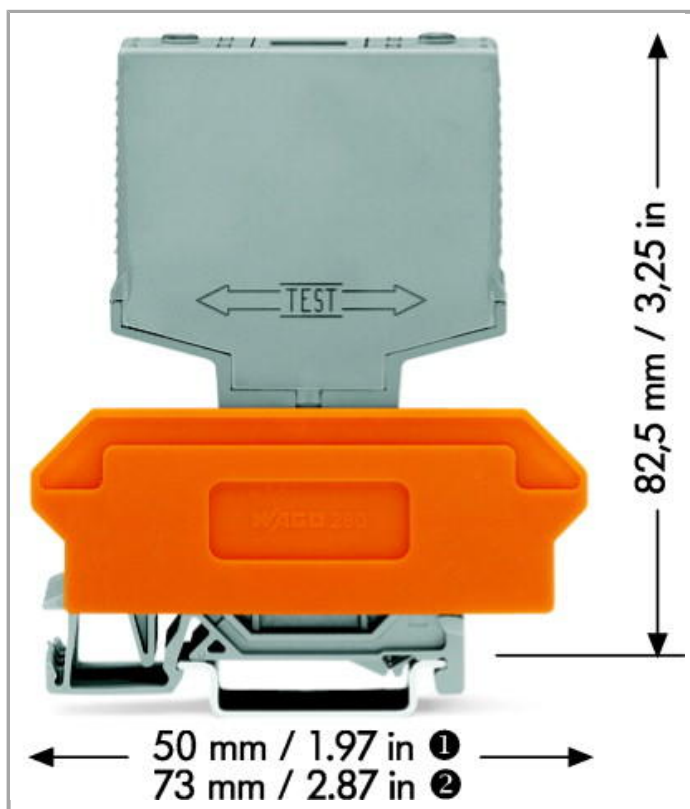
Data sheet | Item number: 286-364/004-000

Relay module; Relay with 1 make contact (1a); with miniature switching relay;
with extended input voltage and temperature range



www.wago.com/286-364/004-000





Data

Technical Data

Control circuit

Nominal input voltage U_N	24 VDC
Input voltage range	-30 ... +25 %
Nominal input current at U_N	7.4 mA

Load circuit:

Number of make contacts/switch on contacts	1
Contact material (relay)	AgSnO ₂
Limiting continuous current	5 A
Max. switching voltage	250 VAC
Max. switching power (resistive)	1250 VAAC
Pull-in time (typ.)	6 ms
Drop-out time (typ.)	6 ms
Bounce time (typ.)	2 ms

Signaling

Status indication	LED red
-------------------	---------

Safety and protection:

Rated voltage	250 V
Rated impulse voltage	2.5 kV
Pollution degree	2
Dielectric strength, control/load circuit (AC, 1 min)	3 kV _{rms}
Dielectric strength, control/load circuit (AC, 1 min)	3 kV _{rms}
Degree of protection	IP20

Geometrical Data

Width	10 mm / 0.394 inch
Height from upper-edge of DIN-35 rail	82.5 mm / 3.248 inch
Depth	52 mm / 1.654 inch

Mechanical data

Type of mounting	Pluggable module for carrier terminal blocks
------------------	--

Material Data

Color	gray
Fire load	0.377 MJ
Weight	19.4 g

Environmental Requirements

Surrounding air (operating) temperature at U _N	-25 ... 70 °C
Pollution degree	2

Standards and specifications

Standards/specifications	EN 60664-1
--------------------------	------------

Commercial data

Country of origin	DE
GTIN	4045454525002
Customs Tariff No.	85364900990
Product Group	6 (Interface Electronics)

Compatible products

General accessories



Item no.: 280-608

Terminal block for pluggable modules; 8-pole; with 4-conductor terminal blocks; with orange separator; www.wago.com/280-608
for DIN-rail 35 x 15 and 35 x 7.5; 2.5 mm²



Item no.: 280-618

Terminal block for pluggable modules; 4-pole; with 2-conductor terminal blocks; with orange separator; www.wago.com/280-618
for DIN-rail 35 x 15 and 35 x 7.5; 2.5 mm²



Item no.: 280-762

Terminal block for pluggable modules; 8-pole; with 4-conductor terminal blocks; with marker carrier; www.wago.com/280-762
with orange separator; for DIN-rail 35 x 15 and 35 x 7.5; 2.5 mm²

Marking accessories



Item no.: 209-701

WSB marking card; as card; not stretchable; plain; snap-on type

www.wago.com/209-701



Item no.: 209-701/000-002

WSB marking card; as card; not stretchable; plain; snap-on type

www.wago.com/209-701/000-002



Item no.: 209-701/000-005

WSB marking card; as card; not stretchable; plain; snap-on type

www.wago.com/209-701/000-005



Item no.: 209-701/000-006

WSB marking card; as card; not stretchable; plain; snap-on type

www.wago.com/209-701/000-006



Item no.: 209-701/000-007

WSB marking card; as card; not stretchable; plain; snap-on type

www.wago.com/209-701/000-007



Item no.: 209-701/000-012

WSB marking card; as card; not stretchable; plain; snap-on type

www.wago.com/209-701/000-012



Item no.: 209-701/000-017

WSB marking card; as card; not stretchable; plain; snap-on type

www.wago.com/209-701/000-017



Item no.: 209-701/000-023

WSB marking card; as card; not stretchable; plain; snap-on type

www.wago.com/209-701/000-023



Item no.: 209-701/000-024

WSB marking card; as card; not stretchable; plain; snap-on type

www.wago.com/209-701/000-024

Downloads

Documentation

Bid Text



286-364/004-000 Relaisbaustein	Jan 22, 2016	DOC 26.6 kB	Download
-----------------------------------	--------------	----------------	----------

Additional Information

Disposal; Electrical and electronic equipment, Packaging	Oct 15, 2018	265.8 kB	Download
--	--------------	----------	----------

smartDATA

CAD data

3D Download 286-364/004-000		URL	Download
-----------------------------	--	-----	----------

Subject to changes.