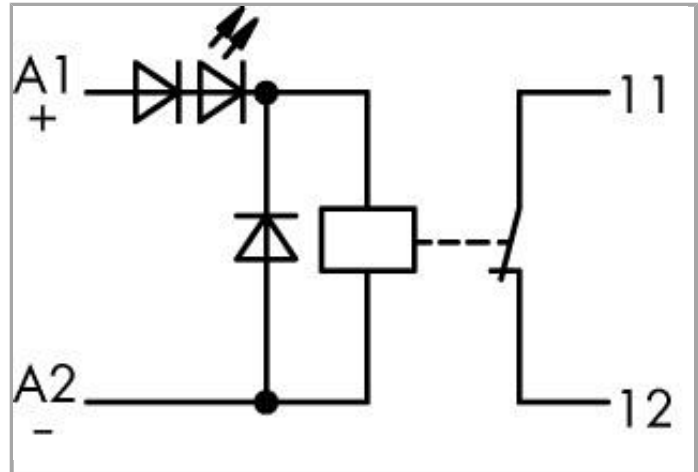


Data sheet | Item number: 286-368

Relay module; Nominal input voltage: 24 VDC; 1 break contact; Limiting continuous current: 5 A; Red status indicator; Module width: 10 mm



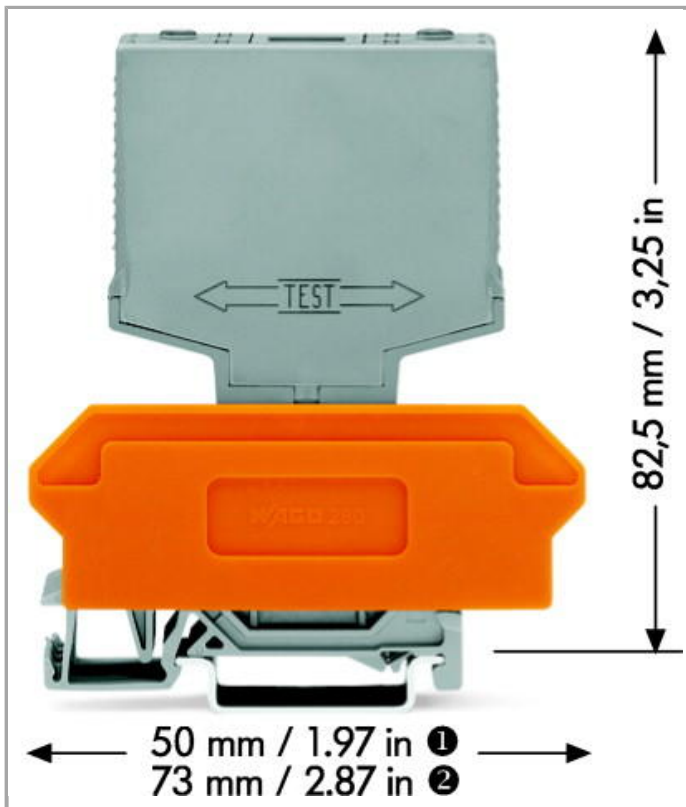
www.wago.com/286-368



RoHS Compliant

[BOMcheck.net](https://www.bomcheck.net)

Color: ■



Data

Technical Data

Control circuit

Nominal input voltage U_N	24 VDC
Nominal input current at U_N	20.4 mA

Load circuit:

Number of break contacts/switch off contacts	1
Contact material (relay)	AgNi
Limiting continuous current	5 A
Max. switching voltage	250 VAC
Max. switching power (resistive)	1250 VAAC
Pull-in time (typ.)	10 ms
Drop-out time (typ.)	4 ms
Bounce time (typ.)	3 ms
Electrical life (N.O.; resistive load; 23 °C)	50×10^3 switching operations
Mechanical life (N.O.; resistive load; 23 °C)	5×10^6 switching operations



Signaling

Status indication	LED red
-------------------	---------

Safety and protection:

Rated voltage	250 V
Rated impulse voltage	4 kV
Pollution degree	2
Dielectric strength, control/load circuit (AC, 1 min)	4 kV _{rms}
Dielectric strength, control/load circuit (AC, 1 min)	4 kV _{rms}
Degree of protection	IP20

Geometrical Data

Width	10 mm / 0.394 inch
Height from upper-edge of DIN-35 rail	82.5 mm / 3.248 inch
Depth	52 mm / 1.654 inch

Mechanical data

Type of mounting	Pluggable module for carrier terminal blocks
------------------	--

Material Data

Color	gray
Weight	19.075 g

Environmental Requirements

Surrounding air (operating) temperature at U _N	-25 ... 40 °C
Pollution degree	2

Standards and specifications

Standards/specifications	EN 60664-1
--------------------------	------------

Commercial data

Country of origin	DE
GTIN	4045454384036
Customs Tariff No.	85364900990
Product Group	6 (Interface Electronics)

Compatible products

General accessories


Item no.: 280-608

Terminal block for pluggable modules; 8-pole; with 4-conductor terminal blocks; with orange separator; www.wago.com/280-608 for DIN-rail 35 x 15 and 35 x 7.5; 2.5 mm²


Item no.: 280-618

Terminal block for pluggable modules; 4-pole; with 2-conductor terminal blocks; with orange separator; www.wago.com/280-618 for DIN-rail 35 x 15 and 35 x 7.5; 2.5 mm²


Item no.: 280-762

Terminal block for pluggable modules; 8-pole; with 4-conductor terminal blocks; with marker carrier; www.wago.com/280-762 with orange separator; for DIN-rail 35 x 15 and 35 x 7.5; 2.5 mm²

Marking accessories


Item no.: 209-701

WSB marking card; as card; not stretchable; plain; snap-on type

www.wago.com/209-701


Item no.: 209-701/000-002

WSB marking card; as card; not stretchable; plain; snap-on type

www.wago.com/209-701/000-002


Item no.: 209-701/000-005

WSB marking card; as card; not stretchable; plain; snap-on type

www.wago.com/209-701/000-005


Item no.: 209-701/000-006

WSB marking card; as card; not stretchable; plain; snap-on type

www.wago.com/209-701/000-006


Item no.: 209-701/000-007

WSB marking card; as card; not stretchable; plain; snap-on type

www.wago.com/209-701/000-007


Item no.: 209-701/000-012

WSB marking card; as card; not stretchable; plain; snap-on type

www.wago.com/209-701/000-012


Item no.: 209-701/000-017

WSB marking card; as card; not stretchable; plain; snap-on type

www.wago.com/209-701/000-017


Item no.: 209-701/000-023

WSB marking card; as card; not stretchable; plain; snap-on type

www.wago.com/209-701/000-023


Item no.: 209-701/000-024

WSB marking card; as card; not stretchable; plain; snap-on type

www.wago.com/209-701/000-024

Downloads

Documentation

Bid Text

286-368



----- Relaisbaustein	Jan 22, 2016	DOC 26.6 kB	Download
-------------------------	--------------	----------------	----------

Additional Information

Disposal; Electrical and electronic equipment, Packaging	Oct 15, 2018	265.8 kB	Download
--	--------------	----------	----------

smartDATA

CAD data

3D Download 286-368		URL	Download
---------------------	--	-----	----------

Subject to changes.