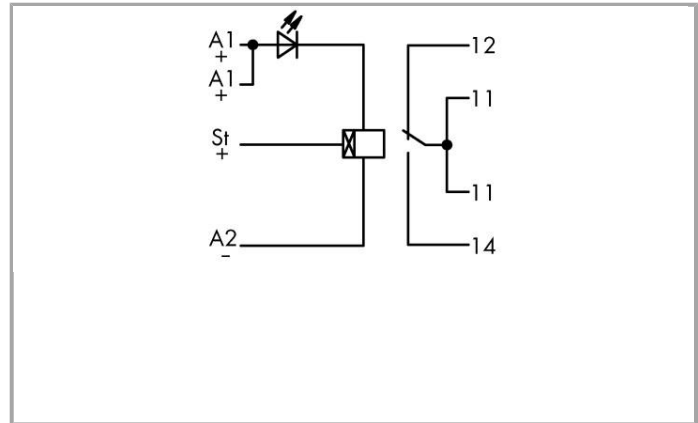


Data sheet | Item number: 286-640

Timer relay module; Nominal input voltage: 24 VDC; Limiting continuous current: 6 A; Path; Multifunction/Multitime; Yellow status indicator; Module width: 6 mm



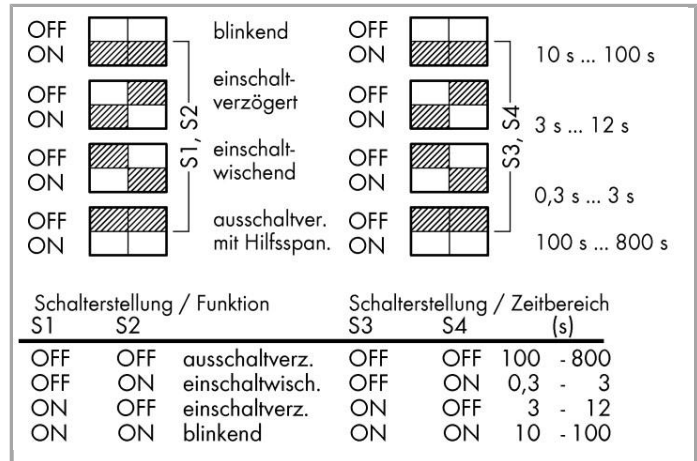
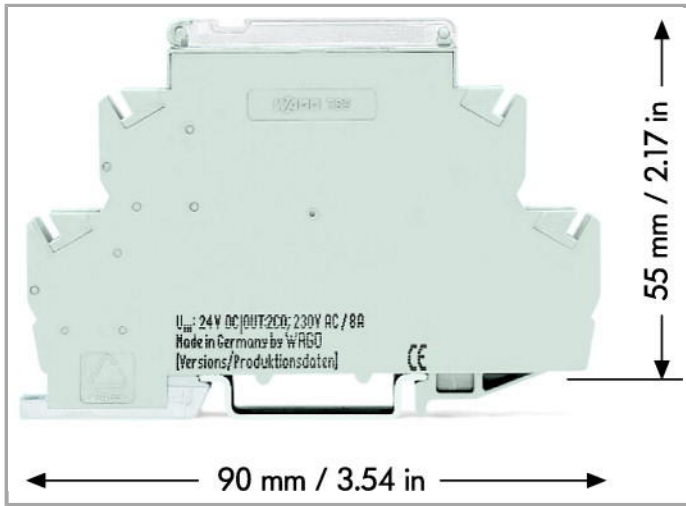
www.wago.com/286-640



RoHS Compliant

[BOMcheck.net](https://www.bomcheck.net)

Color: ■



Item description

Fine adjustment of time within these time ranges can be made with the trimming potentiometer.

St+ will only be connected for the function „off-delay“ with auxiliary voltage.

Data

Technical Data

Control circuit

Nominal input voltage U_N	24 VDC
Nominal input current at U_N	24 mA
Time range	0.3s ... 3 s; 3s ... 12 s; 10s ... 100 s; 100s ... 800 s
Reset time	100 ms
Repeat accuracy	1 %

Load circuit:

Number of changeover/switchover contacts	1
Contact material (relay)	AgNi + Au
Limiting continuous current	5 A
Max. make current (resistive)	4 s 10 A (AC)
Max. switching voltage	250 VAC
Max. switching power (resistive)	1250 VAAC
Bounce time (typ)	2 ms
Electrical life (N.O.; resistive load; 23 °C)	100 x 10 ³ switching operations
Mechanical life (N.O.; resistive load; 23 °C)	15 x 10 ⁶ switching operations

Safety and protection:

Rated voltage	250 V
Rated impulse voltage	4 kV
Pollution degree	2
Dielectric strength, control/load circuit (AC, 1 min)	3 kV _{rms}
Dielectric strength, control/load circuit (AC, 1 min)	3 kV _{rms}
Degree of protection	IP20

Geometrical Data

Width	20 mm / 0.787 inch
Height from upper-edge of DIN-35 rail	82.5 mm / 3.25 inch
Depth	52 mm / 1.654 inch

Mechanical data

Type of mounting	Pluggable module for carrier terminal blocks
------------------	--

Material Data

Color	gray
Fire load	0.991 MJ
Weight	34.498 g

Environmental Requirements

Surrounding air (operating) temperature at U _N	-25 ... 40 °C
Pollution degree	2

Standards and specifications

Standards/specifications	EN 60664-1
--------------------------	------------

Commercial data

Country of origin	DE
GTIN	4050821806349
Customs Tariff No.	85364900990
Product Group	6 (Interface Electronics)

Compatible products

Marking accessories



Item no.: 209-701
WSB marking card; as card; not stretchable; plain; snap-on type

www.wago.com/209-701



Item no.: 209-701/000-002
WSB marking card; as card; not stretchable; plain; snap-on type

www.wago.com/209-701/000-002



Item no.: 209-701/000-005
WSB marking card; as card; not stretchable; plain; snap-on type

www.wago.com/209-701/000-005



Item no.: 209-701/000-006
WSB marking card; as card; not stretchable; plain; snap-on type

www.wago.com/209-701/000-006



Item no.: 209-701/000-007
WSB marking card; as card; not stretchable; plain; snap-on type

www.wago.com/209-701/000-007



Item no.: 209-701/000-012
WSB marking card; as card; not stretchable; plain; snap-on type

www.wago.com/209-701/000-012



Item no.: 209-701/000-017
WSB marking card; as card; not stretchable; plain; snap-on type

www.wago.com/209-701/000-017



Item no.: 209-701/000-023
WSB marking card; as card; not stretchable; plain; snap-on type

www.wago.com/209-701/000-023



Item no.: 209-701/000-024
WSB marking card; as card; not stretchable; plain; snap-on type

www.wago.com/209-701/000-024

Downloads

Documentation

Bid Text

286-640	Jan 22, 2016	DOC	Download
Relaisbaustein		28.2 kB	

Additional Information

Disposal; Electrical and electronic equipment, Packaging	Oct 15, 2018		Download
		265.8 kB	



Subject to changes.

WAGO Kontakttechnik GmbH & Co. KG
Hansastr. 27
32423 Minden
Phone: +49571 887-0 | Fax: +49571 887-169
Email: info.de@wago.com | Web: www.wago.com

Do you have any questions about our products?
We are always happy to take your call at +49 (571) 887-44222.