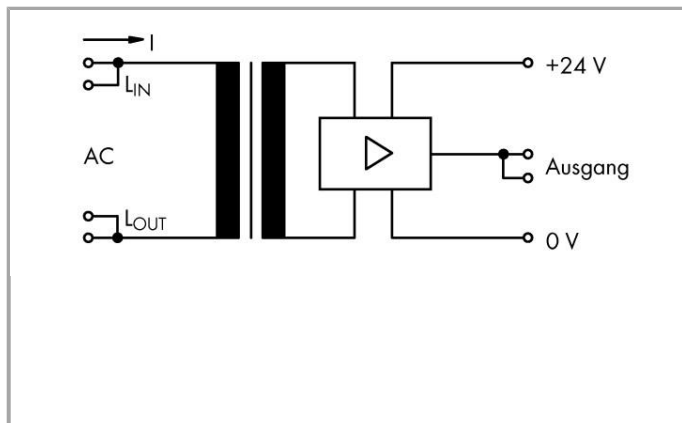


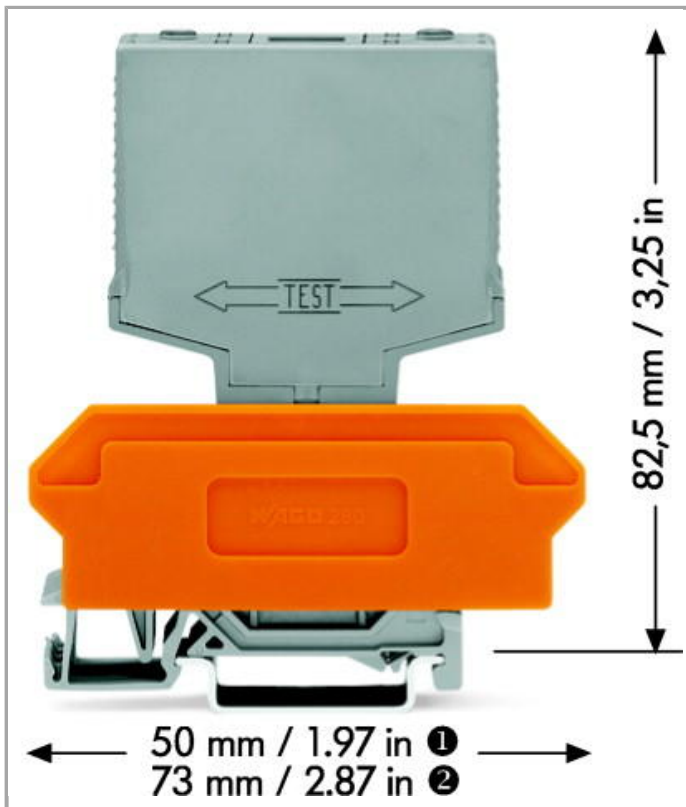
Data sheet | Item number: 286-661

Current flow monitoring module; AC current flow monitoring module; 80 mA
... 6 A



www.wago.com/286-661





Data

Electrical data

Nominal operating voltage	24 VDC
Current consumption at supply voltage	41 mA
Voltage drop at input	13 ... 460 mV
Max. measuring span	80 mA ... 6 A AC (5 ... 250 VAC); Output: 24 VDC (Current < 80 mA) / 0 V (Current > 80 mA)
Response time	40ms
Limiting continuous current	0.05 A
Max. switching power (resistive)	1.2 WDC
Status indication	LED green, output LOW (operation) LED red, output HIGH (current interruption)

Safety and protection:

Rated voltage	250 V
Rated impulse voltage	4 kV
Pollution degree	2
Dielectric strength input/output (AC, 1 min)	2 kV _{rms}

Mechanical data

Type of mounting	Pluggable module for carrier terminal blocks
------------------	--

Housing design

Pluggable module for terminal blocks

Material Data

Color	light gray
Fire load	4.187 MJ
Weight	46.6 g

Environmental Requirements









Surrounding air (operating) temperature	-25 ... 40 °C
---	---------------

Commercial data

Country of origin	DE
GTIN	4017332157476
Customs Tariff No.	85364900990
Product Group	6 (Interface Electronics)

Compatible products

Marking accessories

	Item no.: 209-701 WSB marking card; as card; not stretchable; plain; snap-on type	www.wago.com/209-701
	Item no.: 209-701/000-002 WSB marking card; as card; not stretchable; plain; snap-on type	www.wago.com/209-701/000-002
	Item no.: 209-701/000-005 WSB marking card; as card; not stretchable; plain; snap-on type	www.wago.com/209-701/000-005
	Item no.: 209-701/000-006 WSB marking card; as card; not stretchable; plain; snap-on type	www.wago.com/209-701/000-006
	Item no.: 209-701/000-007 WSB marking card; as card; not stretchable; plain; snap-on type	www.wago.com/209-701/000-007
	Item no.: 209-701/000-012 WSB marking card; as card; not stretchable; plain; snap-on type	www.wago.com/209-701/000-012
	Item no.: 209-701/000-017 WSB marking card; as card; not stretchable; plain; snap-on type	www.wago.com/209-701/000-017
	Item no.: 209-701/000-023 WSB marking card; as card; not stretchable; plain; snap-on type	www.wago.com/209-701/000-023



Item no.: 209-701/000-024

WSB marking card; as card; not stretchable; plain; snap-on type

www.wago.com/209-701/000-024

Downloads

Documentation

Bid Text

286-661	Jan 15, 2016	DOC 25.1 kB	Download
---------	--------------	----------------	----------

Interface-Bausteine mit Sonderfunktionen

Additional Information

Disposal; Electrical and electronic equipment, Packaging	Oct 15, 2018	265.8 kB	Download
--	--------------	----------	----------

Subject to changes.