

Description

Electromagnet for sophisticated industrial applications, generation 2, maximized holding forces, holding when power on.

- high force-volume-relation
- minimized operational costs
- reduced operating temperature
- wire can be lead straight or sideways
- overdrive possible

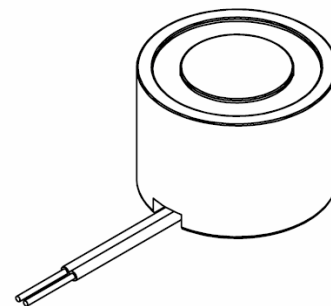
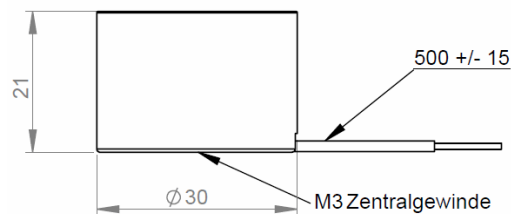


Skala: cm

Technical Characteristics

- **nominal force:** $\geq 380 \text{ N}$
- **weight:** ca. 100 g
- **rated power:** 3 Watt (100%, 20°C)
- **counter plate:** $\geq 4 \text{ mm}$, series APR
- **class of insul. mat.:** B
- **protection class:** IP 65 (housing)
- **RoHS:** yes
- **ISO9001:** yes

Drawing



Varieties / Modifications

- **Rated voltages:** 6 / 12 / 24 VDC
- **Special coil voltages:** optional
- **connectors:** optional
- **design adaptations:** optional
- **increased level of corrosion:** optional
- **increased abrasion resistance:** optional

Usage instructions

- Clean the contact surface before first use
- Avoid contact with corrosive substances and condensation
- Avoid overheating
- Avoid damages to the contact surface
- Holding force requires full contact, no gap
- Ensure correct disposal of that product. It should not be disposed with other household wastes at the end of its working life. Please recycle it responsibly to promote the sustainable reuse of material resources. Follow the local regulations.

