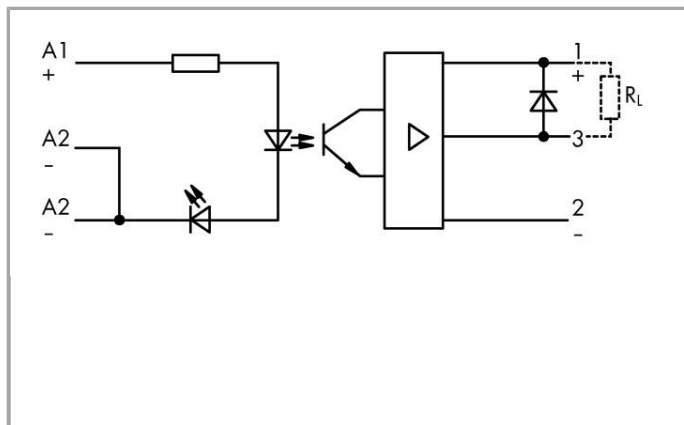


Data sheet | Item number: 286-721

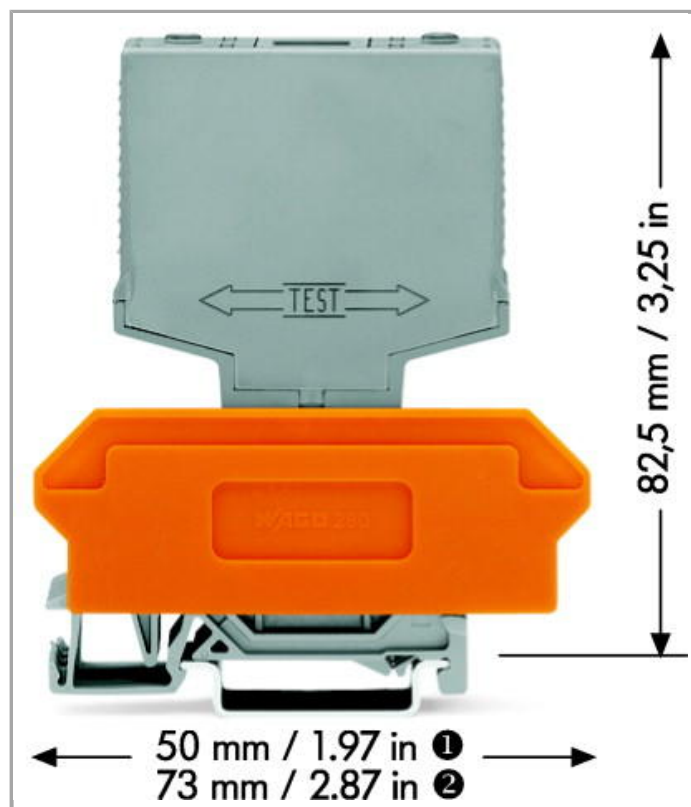
Optocoupler module; Input DC 24 V; Output DC 24 V/5 A; negative switching

www.wago.com/286-721



BOMcheck.net

Color: ■



Data

Technical Data

Control circuit

Nominal input voltage U_N	24 VDC
Input voltage range (high level)	15 ... 30 VDC
Nominal input current at U_N	13.5 mA

Load circuit:

Circuit type	3-conductor termination Low-side switching
Limiting continuous current	5 A
Output voltage range	15 ... 40 VDC
Max. voltage drop at output	≤ 0.5 VDC
Leakage current at nominal voltage	≤ 2.5 μ A
Turn-on time	≤ 20 μ s
Drop-out time	≤ 80 μ s
Switching frequency	≤ 1 kHz

Signaling

Status indication	LED red
-------------------	---------

Safety and protection:

Pollution degree	3
Dielectric strength, control/load circuit (AC, 1 min)	2.5 kV _{rms}
Dielectric strength, control/load circuit (AC, 1 min)	2.5 kV _{rms}
Degree of protection	IP20

Geometrical Data

Width	15 mm / 0.591 inch
Height from upper-edge of DIN-35 rail	82.5 mm / 3.25 inch
Depth	52 mm / 1.654 inch

Mechanical data

Type of mounting	Pluggable module for carrier terminal blocks
------------------	--

Material Data

Color	gray
Fire load	5.842 MJ
Weight	29.2 g

Environmental Requirements

Surrounding air (operating) temperature at U _N	-25 ... 40 °C
Surrounding air (storage) temperature	-25 ... 40 °C
Pollution degree	3

Standards and specifications

Standards/specifications	EN 60664-1
--------------------------	------------

Commercial data

Country of origin	DE
GTIN	4017332157735
Customs Tariff No.	85365005000
Product Group	6 (Interface Electronics)

Compatible products

General accessories


Item no.: 280-609

Terminal block for pluggable modules; 12-pole; with 4-conductor terminal blocks; with orange separator; for DIN-rail 35 x 15 and 35 x 7.5; 2.5 mm²

www.wago.com/280-609


Item no.: 280-619

Terminal block for pluggable modules; 6-pole; with 2-conductor terminal blocks; with orange separator; for DIN-rail 35 x 15 and 35 x 7.5; 2.5 mm²

www.wago.com/280-619


Item no.: 280-763

Terminal block for pluggable modules; 12-pole; with 4-conductor terminal blocks; with marker carrier; with orange separator; for DIN-rail 35 x 15 and 35 x 7.5; 2.5 mm²

www.wago.com/280-763

Marking accessories


Item no.: 209-701

WSB marking card; as card; not stretchable; plain; snap-on type

www.wago.com/209-701


Item no.: 209-701/000-002

WSB marking card; as card; not stretchable; plain; snap-on type

www.wago.com/209-701/000-002


Item no.: 209-701/000-005

WSB marking card; as card; not stretchable; plain; snap-on type

www.wago.com/209-701/000-005


Item no.: 209-701/000-006

WSB marking card; as card; not stretchable; plain; snap-on type

www.wago.com/209-701/000-006


Item no.: 209-701/000-007

WSB marking card; as card; not stretchable; plain; snap-on type

www.wago.com/209-701/000-007


Item no.: 209-701/000-012

WSB marking card; as card; not stretchable; plain; snap-on type

www.wago.com/209-701/000-012


Item no.: 209-701/000-017

WSB marking card; as card; not stretchable; plain; snap-on type

www.wago.com/209-701/000-017


Item no.: 209-701/000-023

WSB marking card; as card; not stretchable; plain; snap-on type

www.wago.com/209-701/000-023


Item no.: 209-701/000-024

WSB marking card; as card; not stretchable; plain; snap-on type

www.wago.com/209-701/000-024

Downloads

Documentation

Bid Text

268-721



----- Optokoppler	Mar 9, 2016	DOC 26.1 kB	Download
<hr/>			
Additional Information			
Disposal; Electrical and electronic equipment, Packaging	Oct 15, 2018	265.8 kB	Download
<hr/>			

Subject to changes.