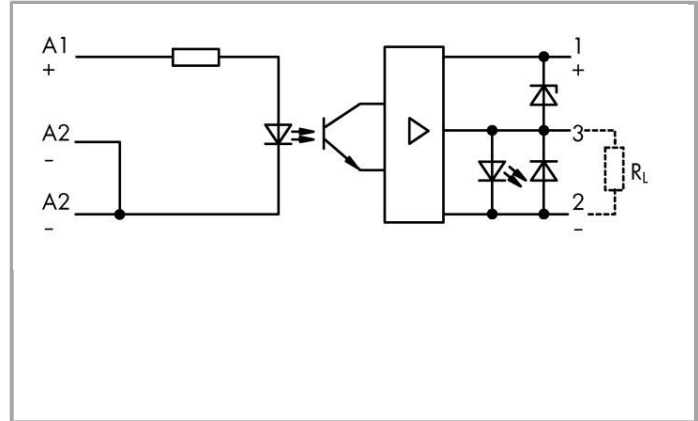


Data sheet | Item number: 286-723

Optocoupler module; Nominal input voltage: 24 VDC; Output voltage range: 15 ... 30 VDC; Limiting continuous current: 4 A; 3-wire connection/high-side switching; Red status indicator; Module width: 15 mm



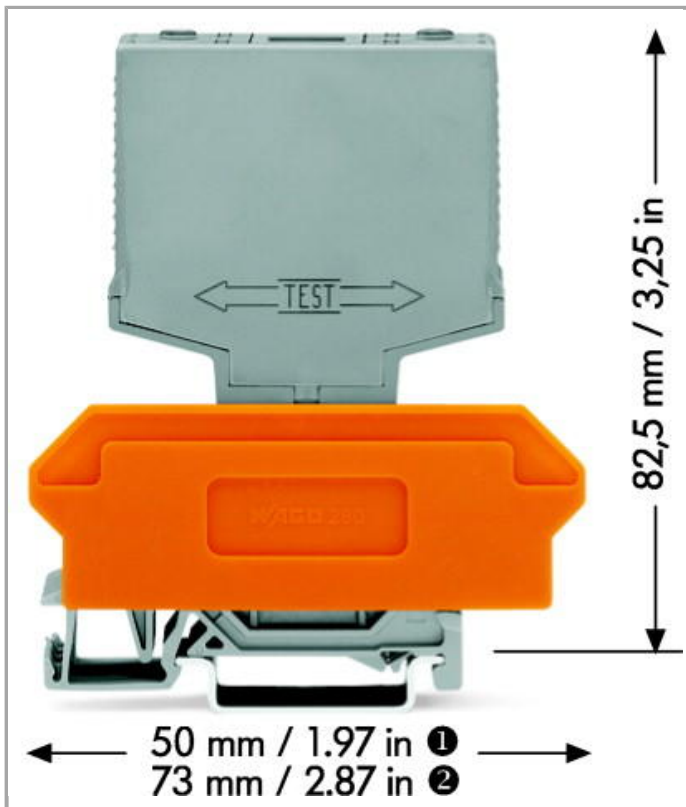
[www.wago.com/286-723](http://www.wago.com/286-723)



RoHS  Compliant

BOMcheck.net

Color: ■



## Data

## Technical Data

## Control circuit

Nominal input voltage $U_N$	24 VDC
Input voltage range (high level)	15 ... 30 VDC
Nominal input current at $U_N$	14 mA

## Load circuit:

Circuit type	3-conductor termination High-side switching
Limiting continuous current	4 A
Output voltage range	20 ... 30 VDC
Max. voltage drop at output	$\leq 1.2$ VDC
Leakage current at nominal voltage	$\leq 2.5$ $\mu$ A
Max. output (reverse current)	12 mA
Turn-on time	$\leq 15$ $\mu$ s
Drop-out time	$\leq 25$ $\mu$ s
Switching frequency	$\leq 2.5$ kHz



## Signaling

Status indication	LED red
-------------------	---------

## Safety and protection:

Pollution degree	3
Dielectric strength, control/load circuit (AC, 1 min)	2.5 kV <sub>rms</sub>
Dielectric strength, control/load circuit (AC, 1 min)	2.5 kV <sub>rms</sub>
Degree of protection	IP20

## Geometrical Data

Width	15 mm / 0.591 inch
Height from upper-edge of DIN-35 rail	82.5 mm / 3.25 inch
Depth	52 mm / 1.654 inch

## Mechanical data

Type of mounting	Pluggable module for carrier terminal blocks
------------------	--

## Material Data

Color	gray
Weight	26.8 g

## Environmental Requirements

Surrounding air (operating) temperature at U <sub>N</sub>	-25 ... 40 °C
Surrounding air (storage) temperature	-25 ... 40 °C
Pollution degree	3

## Standards and specifications

Standards/specifications	EN 60664-1
--------------------------	------------

## Commercial data

Country of origin	DE
GTIN	4045454413682
Customs Tariff No.	85365005000
Product Group	6 (Interface Electronics)

## Compatible products

### Marking accessories



**Item no.: 209-701**  
WSB marking card; as card; not stretchable; plain; snap-on type

[www.wago.com/209-701](http://www.wago.com/209-701)



**Item no.: 209-701/000-002**  
WSB marking card; as card; not stretchable; plain; snap-on type

[www.wago.com/209-701/000-002](http://www.wago.com/209-701/000-002)



**Item no.: 209-701/000-005**  
WSB marking card; as card; not stretchable; plain; snap-on type

[www.wago.com/209-701/000-005](http://www.wago.com/209-701/000-005)



**Item no.: 209-701/000-006**  
WSB marking card; as card; not stretchable; plain; snap-on type

[www.wago.com/209-701/000-006](http://www.wago.com/209-701/000-006)



**Item no.: 209-701/000-007**  
WSB marking card; as card; not stretchable; plain; snap-on type

[www.wago.com/209-701/000-007](http://www.wago.com/209-701/000-007)



**Item no.: 209-701/000-012**  
WSB marking card; as card; not stretchable; plain; snap-on type

[www.wago.com/209-701/000-012](http://www.wago.com/209-701/000-012)



**Item no.: 209-701/000-017**  
WSB marking card; as card; not stretchable; plain; snap-on type

[www.wago.com/209-701/000-017](http://www.wago.com/209-701/000-017)



**Item no.: 209-701/000-023**  
WSB marking card; as card; not stretchable; plain; snap-on type

[www.wago.com/209-701/000-023](http://www.wago.com/209-701/000-023)



**Item no.: 209-701/000-024**  
WSB marking card; as card; not stretchable; plain; snap-on type

[www.wago.com/209-701/000-024](http://www.wago.com/209-701/000-024)

#### General accessories



**Item no.: 280-609**  
Terminal block for pluggable modules; 12-pole; with 4-conductor terminal blocks; with orange separator; for DIN-rail 35 x 15 and 35 x 7.5; 2.5 mm<sup>2</sup>

[www.wago.com/280-609](http://www.wago.com/280-609)



**Item no.: 280-619**  
Terminal block for pluggable modules; 6-pole; with 2-conductor terminal blocks; with orange separator; for DIN-rail 35 x 15 and 35 x 7.5; 2.5 mm<sup>2</sup>

[www.wago.com/280-619](http://www.wago.com/280-619)



**Item no.: 280-763**  
Terminal block for pluggable modules; 12-pole; with 4-conductor terminal blocks; with marker carrier; with orange separator; for DIN-rail 35 x 15 and 35 x 7.5; 2.5 mm<sup>2</sup>

[www.wago.com/280-763](http://www.wago.com/280-763)

#### Downloads

##### Documentation

##### Bid Text

286-723

Mar 9, 2016

DOC

Download

Optokoppler

26.1 kB



Additional Information

Disposal; Electrical and electronic equipment, Packaging

Oct 15, 2018

Download

265.8 kB

---

Subject to changes.

---

WAGO Kontakttechnik GmbH & Co. KG  
Hansastr. 27  
32423 Minden  
Phone: +49571 887-0 | Fax: +49571 887-169  
Email: [info.de@wago.com](mailto:info.de@wago.com) | Web: [www.wago.com](http://www.wago.com)

Do you have any questions about our products?  
We are always happy to take your call at +49 (571) 887-44222.