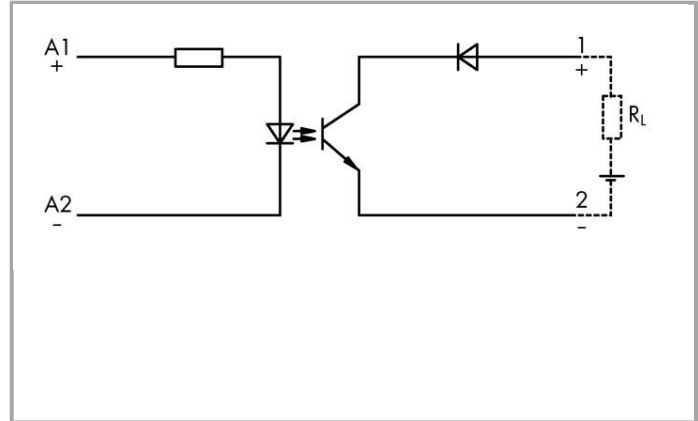


Data sheet | Item number: 286-791

Optocoupler module; Nominal input voltage: 24 VDC; Output voltage range: 20 ... 60 VDC; Limiting continuous current: 0.1 A; 2-wire connection; Frequency: 3 kHz; Red status indicator; Module width: 10 mm



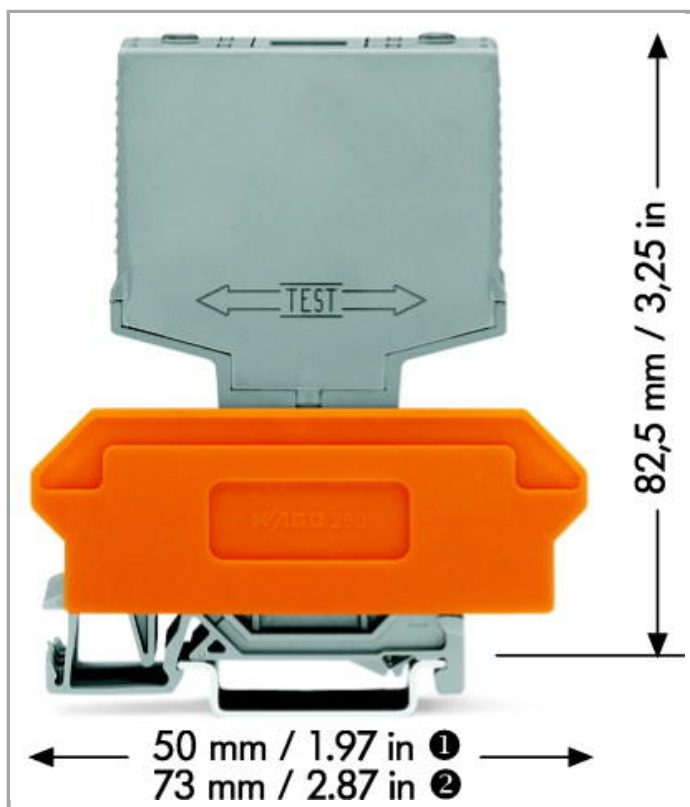
www.wago.com/286-791



RoHS Compliant

[BOMcheck.net](https://www.bomcheck.net)

Color: ■



Data

Technical Data

Control circuit

Nominal input voltage U_N	24 VDC
Input voltage range (high level)	15 ... 30 VDC
Nominal input current at U_N	14 mA

Load circuit:

Circuit type	2-conductor termination
Limiting continuous current	0.1 A
Output voltage range	20 ... 60 VDC
Max. voltage drop at output	≤ 2 VDC
Leakage current at nominal voltage	≤ 2.5 μ A
Turn-on time	≤ 10 μ s
Drop-out time	≤ 50 μ s
Switching frequency	≤ 3 kHz

Safety and protection:

Pollution degree	2
------------------	---

Dielectric strength, control/load circuit (AC, 1 min)	2.5 kV _{rms}
Dielectric strength, control/load circuit (AC, 1 min)	2.5 kV _{rms}
Degree of protection	IP20

Geometrical Data

Width	10 mm / 0.394 inch
Height from upper-edge of DIN-35 rail	82.5 mm / 3.25 inch
Depth	52 mm / 1.654 inch

Mechanical data

Type of mounting	Pluggable module for carrier terminal blocks
------------------	--

Material Data

Color	gray
Weight	15.3 g

Environmental Requirements

Surrounding air (operating) temperature at U _N	-25 ... 40 °C
Surrounding air (storage) temperature	-25 ... 40 °C
Pollution degree	2

Standards and specifications

Standards/specifications	EN 60664-1
--------------------------	------------

Commercial data

Country of origin	DE
GTIN	4045454397470
Customs Tariff No.	85365005000
Product Group	6 (Interface Electronics)

Compatible products

Marking accessories



Item no.: 209-701
WSB marking card; as card; not stretchable; plain; snap-on type

www.wago.com/209-701



Item no.: 209-701/000-002
WSB marking card; as card; not stretchable; plain; snap-on type

www.wago.com/209-701/000-002



Item no.: 209-701/000-005
WSB marking card; as card; not stretchable; plain; snap-on type

www.wago.com/209-701/000-005



Item no.: 209-701/000-006
WSB marking card; as card; not stretchable; plain; snap-on type

www.wago.com/209-701/000-006



Item no.: 209-701/000-007
WSB marking card; as card; not stretchable; plain; snap-on type

www.wago.com/209-701/000-007



Item no.: 209-701/000-012
WSB marking card; as card; not stretchable; plain; snap-on type

www.wago.com/209-701/000-012



Item no.: 209-701/000-017
WSB marking card; as card; not stretchable; plain; snap-on type

www.wago.com/209-701/000-017



Item no.: 209-701/000-023
WSB marking card; as card; not stretchable; plain; snap-on type

www.wago.com/209-701/000-023



Item no.: 209-701/000-024
WSB marking card; as card; not stretchable; plain; snap-on type

www.wago.com/209-701/000-024

General accessories



Item no.: 280-608
Terminal block for pluggable modules; 8-pole; with 4-conductor terminal blocks; with orange separator; for DIN-rail 35 x 15 and 35 x 7.5; 2.5 mm² www.wago.com/280-608



Item no.: 280-618
Terminal block for pluggable modules; 4-pole; with 2-conductor terminal blocks; with orange separator; for DIN-rail 35 x 15 and 35 x 7.5; 2.5 mm² www.wago.com/280-618



Item no.: 280-762
Terminal block for pluggable modules; 8-pole; with 4-conductor terminal blocks; with marker carrier; with orange separator; for DIN-rail 35 x 15 and 35 x 7.5; 2.5 mm² www.wago.com/280-762

Downloads

Documentation

Bid Text

286-791 Optokoppler	Mar 9, 2016	DOC 26.6 kB	Download
------------------------	-------------	----------------	----------

Additional Information

Disposal; Electrical and electronic equipment, Packaging	Oct 15, 2018	265.8 kB	Download
--	--------------	----------	----------



smartDATA

CAD data

3D Download 286-791

URL

Download

Subject to changes.