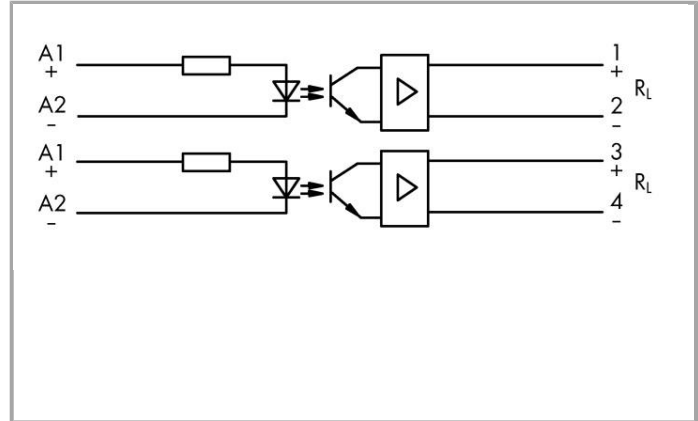
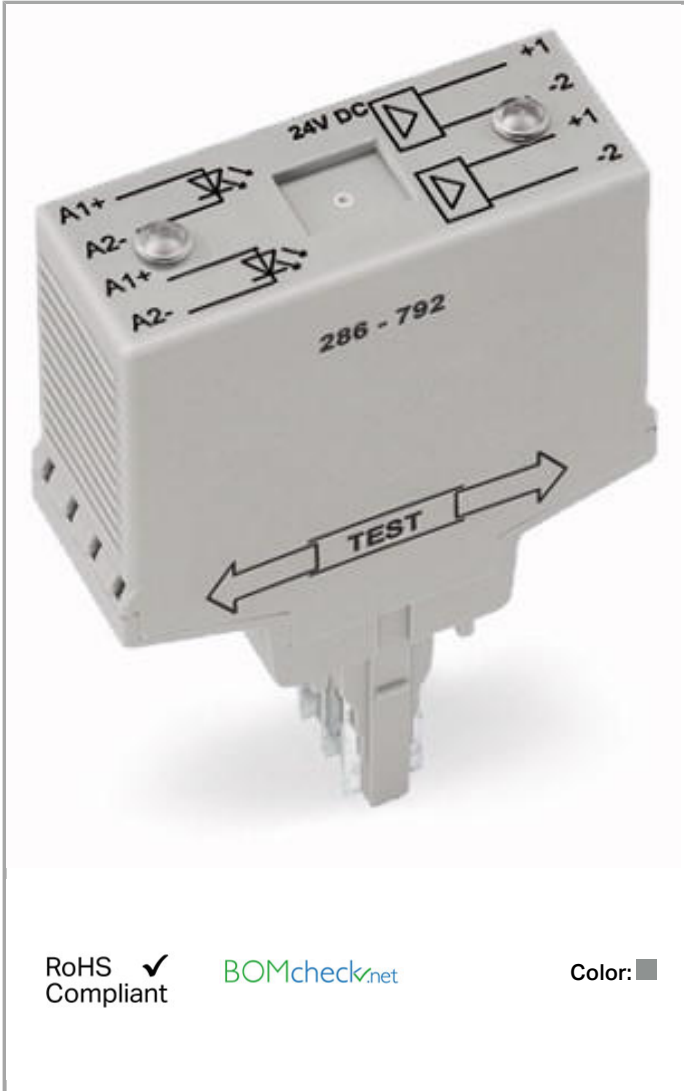


Data sheet | Item number: 286-792
Optocoupler module; Red status indicator

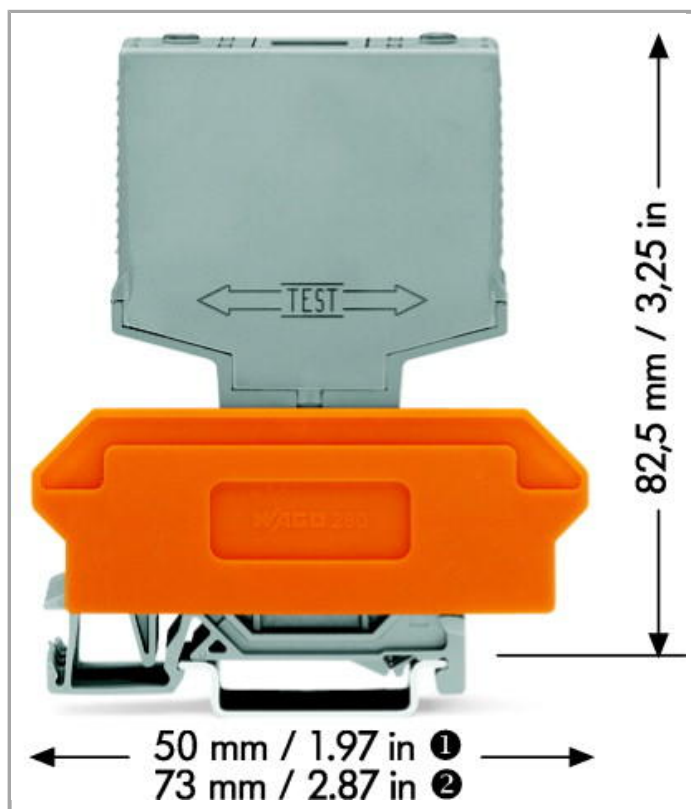
www.wago.com/286-792



RoHS Compliant

[BOMcheck.net](https://www.bomcheck.net)

Color: ■



Data

Technical Data

Control circuit

Nominal input voltage U_N	24 VDC
Input voltage range (high level)	7.5 ... 30 VDC
Nominal input current at U_N	15 mA

Load circuit:

Circuit type	2-way, 2-conductor termination
Limiting continuous current	0.25 A
Output voltage range	20 ... 30 VDC
Max. voltage drop at output	≤ 2.5 VDC
Leakage current at nominal voltage	≤ 2.6 μ A
Turn-on time	≤ 60 μ s
Drop-out time	≤ 120 μ s
Switching frequency	≤ 1.5 kHz

Safety and protection:

Pollution degree	3
Dielectric strength, control/load circuit (AC, 1 min)	2.5 kV _{rms}
Dielectric strength, control/load circuit (AC, 1 min)	2.5 kV _{rms}
Degree of protection	IP20

Geometrical Data

Width	20 mm / 0.787 inch
Height from upper-edge of DIN-35 rail	82.5 mm / 3.25 inch
Depth	52 mm / 1.654 inch

Mechanical data

Type of mounting	Pluggable module for carrier terminal blocks
------------------	----------------------------------------------

Material Data

Color	gray
Weight	23.366 g

Environmental Requirements

Surrounding air (operating) temperature at U _N	-25 ... 40 °C
Surrounding air (storage) temperature	-25 ... 40 °C
Pollution degree	3

Standards and specifications

Standards/specifications	EN 60664-1
--------------------------	------------

Commercial data

Country of origin	DE
GTIN	4045454860448
Customs Tariff No.	85365005000
Product Group	6 (Interface Electronics)

Compatible products

General accessories



Item no.: 280-628

Terminal block for pluggable modules; 16-pole; with 4-conductor terminal blocks; with orange separator; for DIN-rail 35 x 15 and 35 x 7.5; 2.5 mm²

www.wago.com/280-628

**Item no.: 280-638**Terminal block for pluggable modules; 8-pole; with 2-conductor terminal blocks; with orange separator; for DIN-rail 35 x 15 and 35 x 7.5; 2.5 mm²www.wago.com/280-638**Item no.: 280-764**Terminal block for pluggable modules; 16-pole; with 4-conductor terminal blocks; with marker carrier; with orange separator; for DIN-rail 35 x 15 and 35 x 7.5; 2.5 mm²www.wago.com/280-764**Marking accessories****Item no.: 209-701**

WSB marking card; as card; not stretchable; plain; snap-on type

www.wago.com/209-701**Item no.: 209-701/000-002**

WSB marking card; as card; not stretchable; plain; snap-on type

www.wago.com/209-701/000-002**Item no.: 209-701/000-005**

WSB marking card; as card; not stretchable; plain; snap-on type

www.wago.com/209-701/000-005**Item no.: 209-701/000-006**

WSB marking card; as card; not stretchable; plain; snap-on type

www.wago.com/209-701/000-006**Item no.: 209-701/000-007**

WSB marking card; as card; not stretchable; plain; snap-on type

www.wago.com/209-701/000-007**Item no.: 209-701/000-012**

WSB marking card; as card; not stretchable; plain; snap-on type

www.wago.com/209-701/000-012**Item no.: 209-701/000-017**

WSB marking card; as card; not stretchable; plain; snap-on type

www.wago.com/209-701/000-017**Item no.: 209-701/000-023**

WSB marking card; as card; not stretchable; plain; snap-on type

www.wago.com/209-701/000-023**Item no.: 209-701/000-024**

WSB marking card; as card; not stretchable; plain; snap-on type

www.wago.com/209-701/000-024**Downloads****Documentation****Bid Text**

286-792

Mar 9, 2016

DOC

Download

Optokoppler

25.6 kB

Additional Information

Disposal; Electrical and electronic equipment, Packaging



Subject to changes.