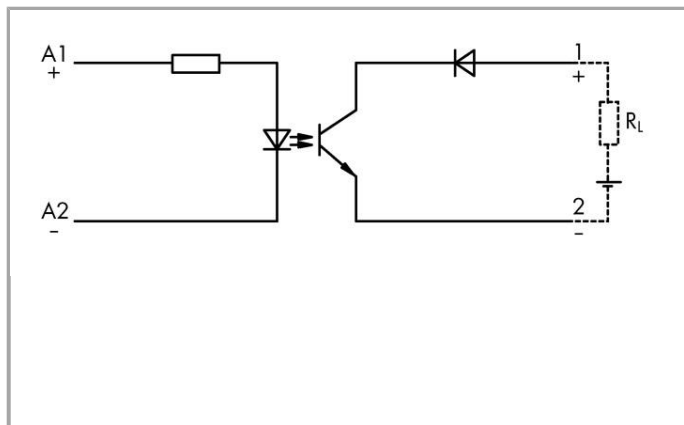


Data sheet | Item number: 286-794

Optocoupler module; Input DC 24 V; Output DC 60 V/100 mA

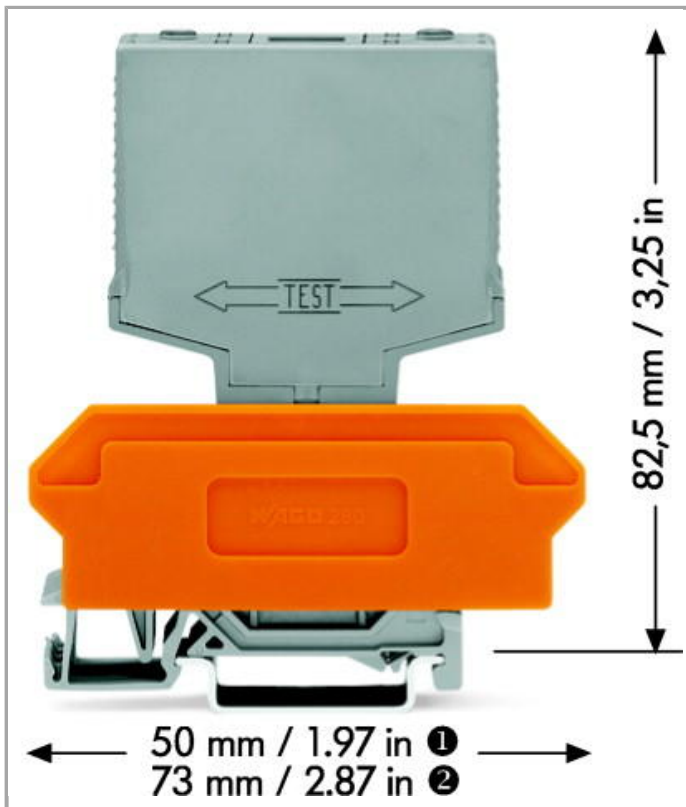
www.wago.com/286-794



RoHS Compliant

[BOMcheck.net](https://www.bomcheck.net)

Color: ■



Data

Technical Data

Control circuit

Nominal input voltage U_N	24 VDC
Input voltage range (high level)	18 ... 30 VDC
Nominal input current at U_N	4 mA

Load circuit:

Circuit type	2-conductor termination
Limiting continuous current	0.1 A
Output voltage range	20 ... 60 VDC
Max. voltage drop at output	≤ 2 VDC
Leakage current at nominal voltage	≤ 2.5 μ A
Turn-on time	≤ 80 μ s
Drop-out time	≤ 100 μ s
Switching frequency	≤ 1.5 kHz

Safety and protection:

Pollution degree	3
------------------	---

Dielectric strength, control/load circuit (AC, 1 min)	2.5 kV _{rms}
Dielectric strength, control/load circuit (AC, 1 min)	2.5 kV _{rms}
Degree of protection	IP20

Geometrical Data

Width	10 mm / 0.394 inch
Height from upper-edge of DIN-35 rail	82.5 mm / 3.25 inch
Depth	52 mm / 1.654 inch

Mechanical data

Type of mounting	Pluggable module for carrier terminal blocks
------------------	--

Material Data

Color	gray
Weight	16.3 g

Environmental Requirements

Surrounding air (operating) temperature at U _N	-25 ... 60 °C
Surrounding air (storage) temperature	-25 ... 40 °C
Pollution degree	3

Standards and specifications

Standards/specifications	EN 60664-1
--------------------------	------------

Commercial data

Country of origin	DE
GTIN	4045454586218
Customs Tariff No.	85365005000
Product Group	6 (Interface Electronics)

Compatible products

General accessories



Item no.: 280-608

Terminal block for pluggable modules; 8-pole; with 4-conductor terminal blocks; with orange separator; www.wago.com/280-608 for DIN-rail 35 x 15 and 35 x 7.5; 2.5 mm²



Item no.: 280-618










Terminal block for pluggable modules; 4-pole; with 2-conductor terminal blocks; with orange separator; www.wago.com/280-618 for DIN-rail 35 x 15 and 35 x 7.5; 2.5 mm²

Item no.: 280-762

Terminal block for pluggable modules; 8-pole; with 4-conductor terminal blocks; with marker carrier; www.wago.com/280-762

with orange separator; for DIN-rail 35 x 15 and 35 x 7.5; 2.5 mm²

Marking accessories

	Item no.: 209-701 WSB marking card; as card; not stretchable; plain; snap-on type	www.wago.com/209-701
	Item no.: 209-701/000-002 WSB marking card; as card; not stretchable; plain; snap-on type	www.wago.com/209-701/000-002
	Item no.: 209-701/000-005 WSB marking card; as card; not stretchable; plain; snap-on type	www.wago.com/209-701/000-005
	Item no.: 209-701/000-006 WSB marking card; as card; not stretchable; plain; snap-on type	www.wago.com/209-701/000-006
	Item no.: 209-701/000-007 WSB marking card; as card; not stretchable; plain; snap-on type	www.wago.com/209-701/000-007
	Item no.: 209-701/000-012 WSB marking card; as card; not stretchable; plain; snap-on type	www.wago.com/209-701/000-012
	Item no.: 209-701/000-017 WSB marking card; as card; not stretchable; plain; snap-on type	www.wago.com/209-701/000-017
	Item no.: 209-701/000-023 WSB marking card; as card; not stretchable; plain; snap-on type	www.wago.com/209-701/000-023
	Item no.: 209-701/000-024 WSB marking card; as card; not stretchable; plain; snap-on type	www.wago.com/209-701/000-024

Downloads

Documentation

Bid Text

286-794 Optokoppler	Mar 9, 2016	DOC 27.1 kB	Download
------------------------	-------------	----------------	----------

Additional Information

Disposal; Electrical and electronic equipment, Packaging	Oct 15, 2018	265.8 kB	Download
--	--------------	----------	----------



smartDATA

CAD data

3D Download 286-794

URL

Download

Subject to changes.