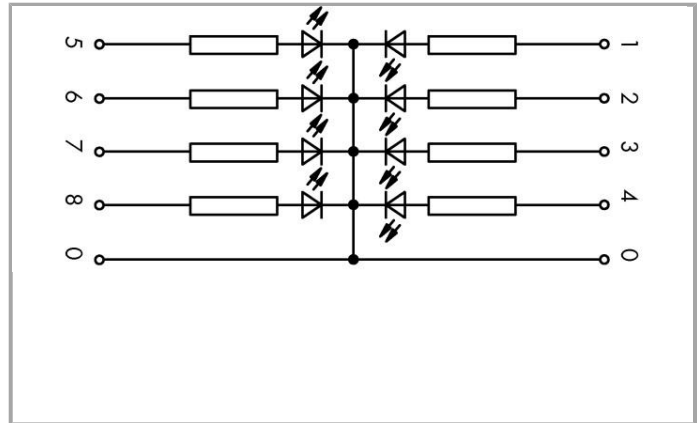
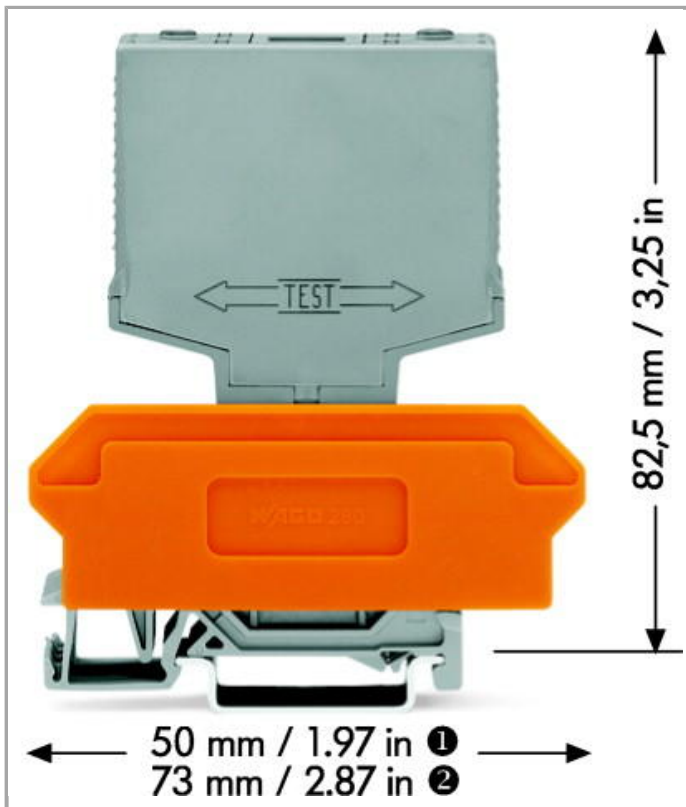


Data sheet | Item number: 286-822

Component module with LED; Red LED; with common cathode

www.wago.com/286-822





Data

Electrical data

Nominal operating voltage	24 VDC
Operating voltage	20 ... 26 VDC
Current consumption at supply voltage	5.1 mA (per LED)

Geometrical Data

Width	25 mm / 0.984 inch
-------	--------------------

Mechanical data

Type of mounting	Pluggable module for carrier terminal blocks
Housing design	Pluggable module for terminal blocks

Material Data

Color	light gray
Fire load	0.542 MJ
Weight	28.7 g

Environmental Requirements

Surrounding air (operating) temperature	-25 ... 40 °C
---	---------------

Commercial data

Country of origin	DE
GTIN	4045454397494
Customs Tariff No.	85369010000
Product Group	6 (Interface Electronics)

Compatible products

Marking accessories

	Item no.: 209-701 WSB marking card; as card; not stretchable; plain; snap-on type	www.wago.com/209-701
	Item no.: 209-701/000-002 WSB marking card; as card; not stretchable; plain; snap-on type	www.wago.com/209-701/000-002
	Item no.: 209-701/000-005 WSB marking card; as card; not stretchable; plain; snap-on type	www.wago.com/209-701/000-005
	Item no.: 209-701/000-006 WSB marking card; as card; not stretchable; plain; snap-on type	www.wago.com/209-701/000-006
	Item no.: 209-701/000-007 WSB marking card; as card; not stretchable; plain; snap-on type	www.wago.com/209-701/000-007
	Item no.: 209-701/000-012 WSB marking card; as card; not stretchable; plain; snap-on type	www.wago.com/209-701/000-012
	Item no.: 209-701/000-017 WSB marking card; as card; not stretchable; plain; snap-on type	www.wago.com/209-701/000-017
	Item no.: 209-701/000-023 WSB marking card; as card; not stretchable; plain; snap-on type	www.wago.com/209-701/000-023
	Item no.: 209-701/000-024 WSB marking card; as card; not stretchable; plain; snap-on type	www.wago.com/209-701/000-024

Downloads

Documentation

Additional Information

Disposal; Electrical and electronic equipment, Packaging

Oct 15, 2018

Download

265.8 kB



smartDATA

CAD data

3D Download 286-822

URL

Download

Subject to changes.