

Solid-state reversing contactor - ELR W3- 24DC/500AC-9I - 2297057

Please be informed that the data shown in this PDF Document is generated from our Online Catalog. Please find the complete data in the user's documentation. Our General Terms of Use for Downloads are valid (<http://download.phoenixcontact.com>)



"4 in 1" three-phase semiconductor reversing contactor with 24 V DC input, 9 A output current, emergency stop function, and adjustable overload switching.

Product Features

- 22.5 mm wide
- Safety level according to IEC 61508-1: SIL 3, ISO 13849: PL e
- Space saving
- Long service life
- Reduction in wiring
- Bimetal function can be set up to 9 A
- 3-phase loop bridges



Key commercial data

package_quantity	1
GTIN	4046356170581

Technical data

Dimensions

Width	22.5 mm
Height	99 mm
Depth	114.5 mm

Ambient conditions

Ambient temperature (operation)	-25 °C ... 70 °C
Ambient temperature (storage/transport)	-40 °C ... 80 °C
Degree of protection	IP20

Input data

Input name	Device supply
Rated control supply voltage U_s	24 V DC
Voltage range with reference to U_s	0.8 ... 1.25
Rated control supply current I_s	40 mA

Solid-state reversing contactor - ELR W3- 24DC/500AC-9I - 2297057

Technical data

Input data

Rated actuating voltage U_c	24 V DC
Voltage range with reference to U_c	0.8 ... 1.25
Rated actuating current I_c	5 mA
Switching threshold "0" signal, voltage	9.6 V
Switching threshold "1" signal voltage	19.2 V
Protective circuit	Protection against polarity reversal Parallel polarity protection diode
Protective circuit	Surge protection
Typical response time	< 35 ms
Typical turn-off time	< 40 ms
Operating voltage display	Green LED
Status display	Yellow LED
Indication	Red LED
Input name	Control input right/left

Output data

Output name	AC output
Nominal output voltage	500 V AC
Nominal output voltage range	42 V AC ... 550 V AC
Load current	max. 9 A (see derating curve)
Rated operating current at AC-51	9 A
Rated operating current at AC-53a	6.5 A
Leakage current	0 mA
Residual voltage	< 0.5 V
Surge current	100 A (t = 10 ms)
Type of protection	Surge protection
Output name	Acknowledge output
Note	Confirmation 01: Floating PDT contact
Nominal output voltage	max. 253 V AC 0% ... 100% (300 V DC)
Residual voltage	< 0.5 V

Output data, signaling contact

Measuring via	Current transformer for line current on L1 and L3
Current range	1 A ... 45 A

Connection data

Connection method	Screw connection
Conductor cross section solid min.	0.14 mm ²
Conductor cross section solid max.	2.5 mm ²
Conductor cross section stranded min.	0.14 mm ²
Conductor cross section stranded max.	2.5 mm ²
Conductor cross section AWG/kcmil min.	26

Solid-state reversing contactor - ELR W3- 24DC/500AC-9I - 2297057

Technical data

Connection data

Conductor cross section AWG/kcmil max	14
--	----

General

Test voltage input/output	4 kV _{rms}
Mounting position	Vertical (horizontal DIN rail)
Assembly instructions	Can be aligned with spacing = 20 mm
Operating mode	100% operating factor
Name	Standards/regulations
Standards/regulations	DIN EN 50178
Standards/regulations	EN 60947
Name	Power station requirements
Standards/regulations	DWR 1300 / ZXX01/DD/7080.8d
Name	Air and creepage distances between the power circuits
Standards/regulations	DIN EN 50178
Rated surge voltage / insulation	6 kV/safe isolation
Rated insulation voltage	500 V
Pollution degree	2
Surge voltage category	III
Category in acc. with EN 954-1	3

classifications

eCl@ss

eCl@ss 4.0	27371102
eCl@ss 4.1	27371102
eCl@ss 5.0	27371601
eCl@ss 5.1	27371601
eCl@ss 6.0	27371601
eCl@ss 7.0	27371601
eCl@ss 8.0	27371601

ETIM

ETIM 2.0	EC000066
ETIM 3.0	EC000066
ETIM 4.0	EC000066
ETIM 5.0	EC000066

UNSPSC

UNSPSC 6.01	30211915
UNSPSC 7.0901	39121514
UNSPSC 11	39121514
UNSPSC 12.01	39121514

Solid-state reversing contactor - ELR W3- 24DC/500AC-9I - 2297057

classifications

UNSPSC

UNSPSC 13.2	39121514
--------------------	----------

approvals

ATEX / UL Listed / cUL Listed / LR / GL / BV / GL-SW / IECEE CB Scheme / UL Listed / cUL Listed / IECEE CB Scheme / GL / cULus Listed /

Approval details

ATEX	
Nominal voltage UN	
Nominal current IN	
mm ² /AWG/kcmil	

UL Listed

cUL Listed

LR

GL

BV

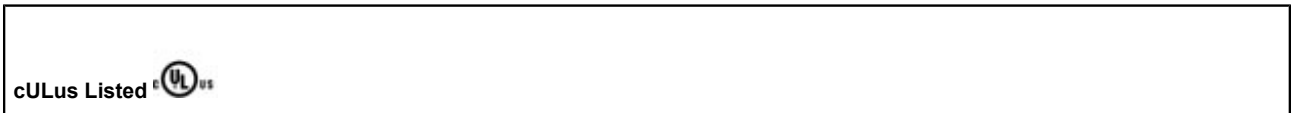
GL-SW

IECEE CB Scheme

--

Solid-state reversing contactor - ELR W3- 24DC/500AC-9I - 2297057

approvals



accessories

Loop bridge

BRIDGE- 2 - 2900746



BRIDGE- 3 - 2900747



BRIDGE- 4 - 2900748



Solid-state reversing contactor - ELR W3- 24DC/500AC-9I - 2297057

accessories

BRIDGE- 5 - 2900749



BRIDGE- 6 - 2900750



BRIDGE- 7 - 2900751



BRIDGE- 8 - 2900752



BRIDGE- 9 - 2900753



Solid-state reversing contactor - ELR W3- 24DC/500AC-9I - 2297057

accessories

BRIDGE-10 - 2900754



BRIDGE- 2-3M - 2901543



BRIDGE- 3-3M - 2901656



BRIDGE- 4-3M - 2901659



BRIDGE- 5-3M - 2901545



Solid-state reversing contactor - ELR W3- 24DC/500AC-9I - 2297057

accessories

BRIDGE- 6-3M - 2901697



BRIDGE- 7-3M - 2901698



BRIDGE- 8-3M - 2901700



BRIDGE- 9-3M - 2901701



BRIDGE-10-3M - 2901702



Solid-state reversing contactor - ELR W3- 24DC/500AC-9I - 2297057

accessories

BRIDGE- 2-1M - 2901542



BRIDGE- 3-1M - 2901655



BRIDGE- 4-1M - 2901658



BRIDGE- 5-1M - 2901544



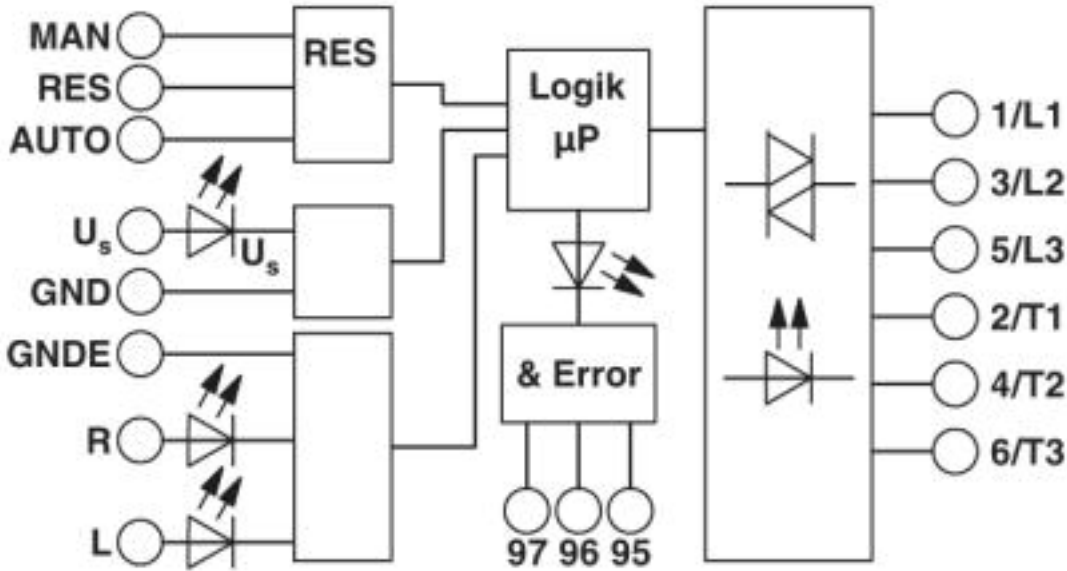
BRIDGE- 6-1M - 2901649



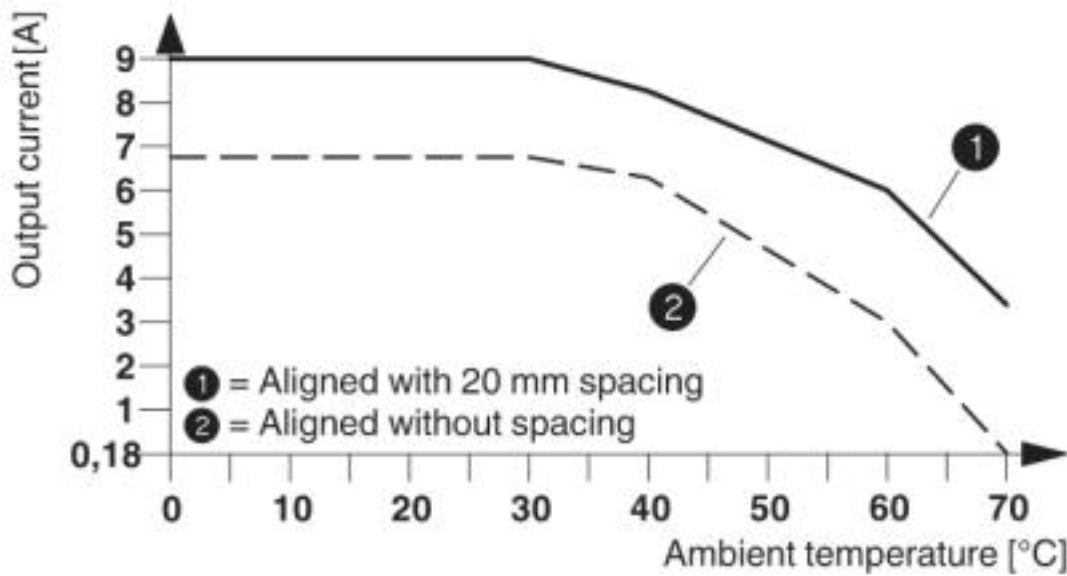
Drawings

Solid-state reversing contactor - ELR W3- 24DC/500AC- 9I - 2297057

Block diagram

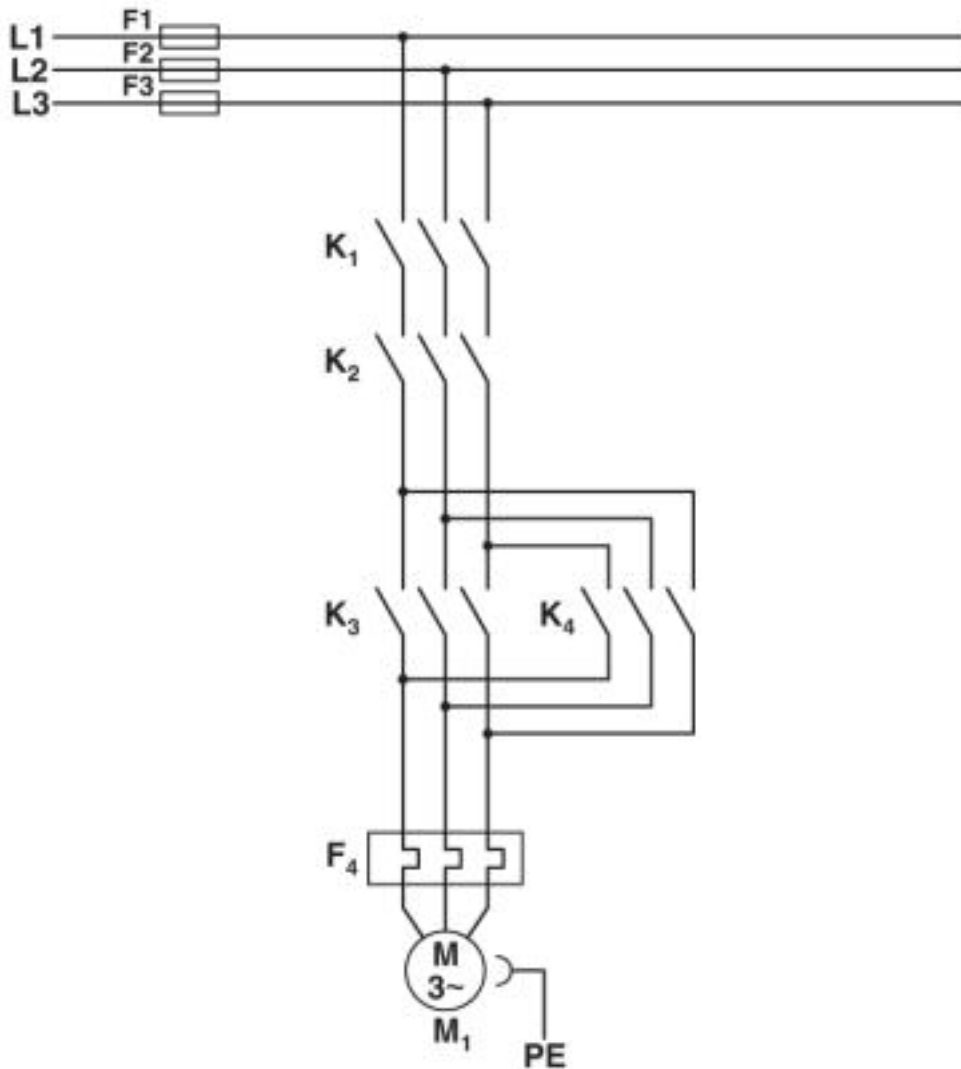


Diagram



Solid-state reversing contactor - ELR W3- 24DC/500AC-9I - 2297057

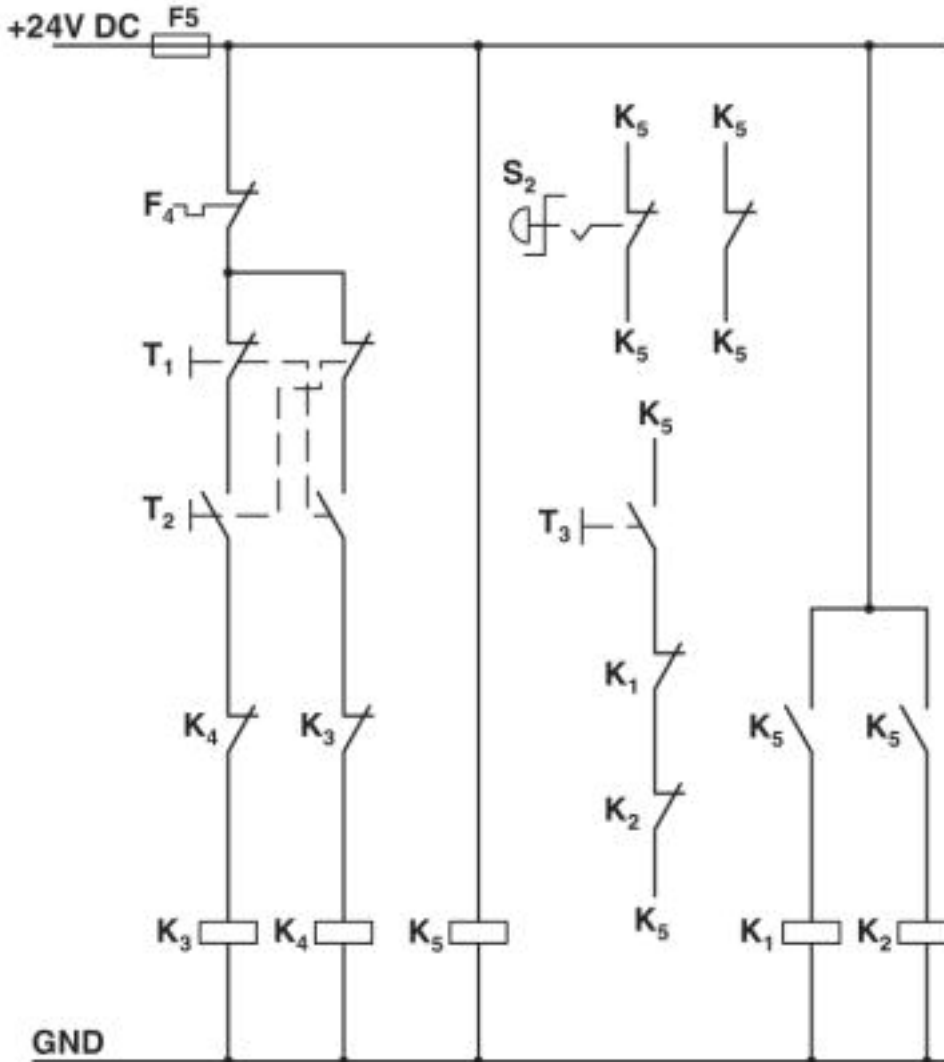
Circuit diagram



Conventional structure
Main current path for reversing contactor according to category 3
K1 + K2 = Emergency stop contactor
K3 = Left contactor
K4 = Right contactor
F4 = Motor protection relay

Solid-state reversing contactor - ELR W3- 24DC/500AC-9I - 2297057

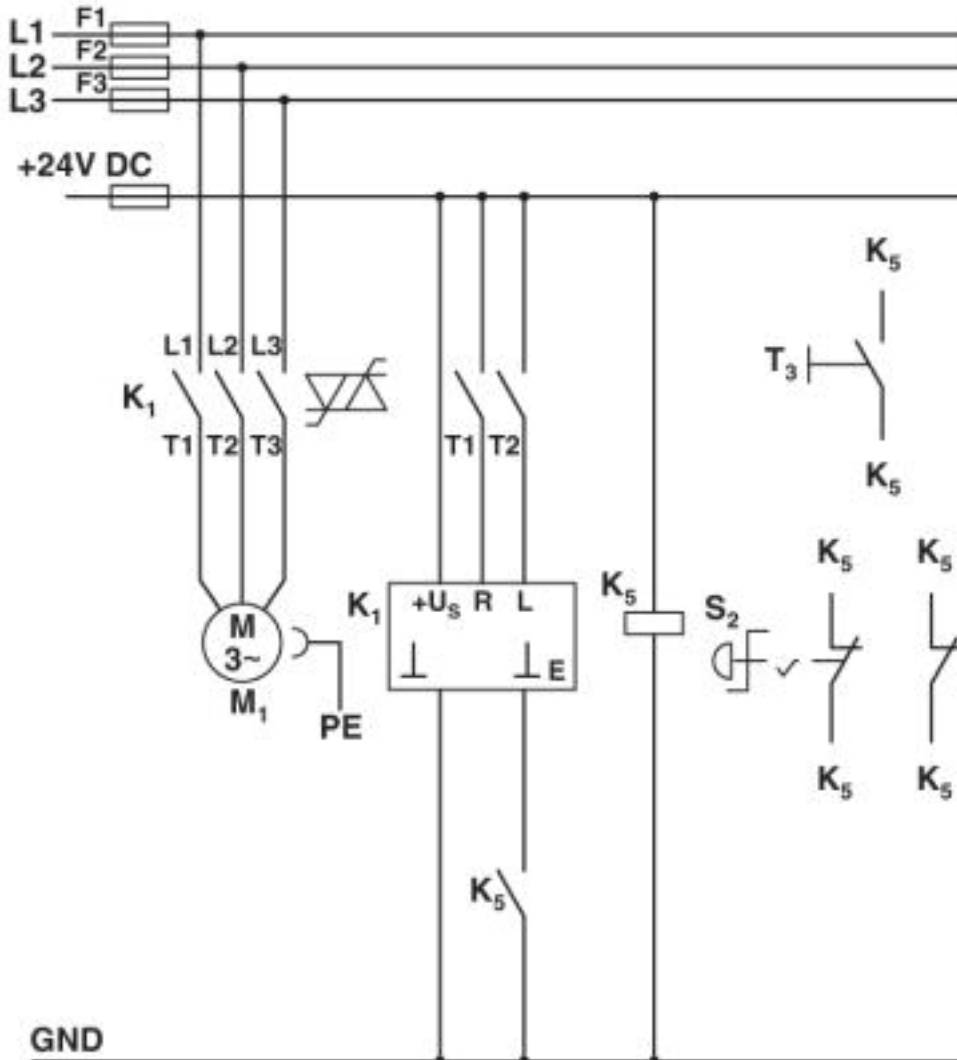
Circuit diagram



Conventional structure
 Control current path reversing contactor
 according to category 3
 K1 + K2 = Emergency stop contactor
 K3 = Left contactor
 K4 = Right contactor
 K5 = PSR SCP-24DC.../Safety relay
 T1 = Right, T2 = Left, T3 = Reset
 S2 = Emergency stop
 F4 = Motor protection relay

Solid-state reversing contactor - ELR W3- 24DC/500AC-9I - 2297057

Circuit diagram



Structure with CONTACTRONMain and control current path for "4 in 1" hybrid motor starter with reversing function according to category 3K1 = "4 in 1" hybrid motor starter with reversing function
 K5 = PSR SCP-24DC.../Safety relay
 T1 = Right, T2 = Left, T3 = Reset
 S2 = Emergency stop

© Phoenix Contact 2013 - all rights reserved
<http://www.phoenixcontact.com>