

MODEL KU1T

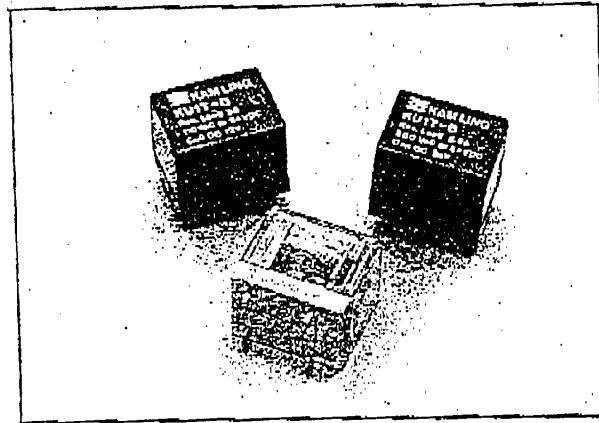
NEW VERSION

Sugar Cube-Sized, PCB Relay

Capable of Switch 5A Loads

FEATURES

- AgCdo contact material available for handling 5A 24VDC or 110VAC.
- Low coil power consumption.
- Small size



AVAILABLE TYPES

Contact form	Contact ratings	Type	
		Standard type	Flux-free type
SPDT	5A	KU1T-5A	KU1T-F-5A
SPST (N.O.)		KU1T-M-5A	KU1T-MF-5A

SPECIFICATIONS

COIL RATINGS

Type	Item Rated Voltage	Rated current (mA)	Coil resistance (Ω)	Must. operate Voltage	Must. dropout Voltage	Maximum voltage	Power consumption (mw)
				% of rated voltage			
KU1T	3VDC	120	25	80 max.	10 min.	130	Approx. 360
	6VDC	60	100				
	9VDC	40	225				
	12VDC	30	400				
	24VDC	15	1600				

504246

504238

NOTE: The rated current and coil resistance are measured at a coil temperature of 20°C with tolerances of +15%, -20% for rated current and \pm 10% for rated coil resistance.

CONTACT RATINGS

Item	Type	KU1T	
Rated load (Resistive)		110VAC 5A	24VDC 5A
Max. operating voltage		125VAC	60VDC
Max. operating current		5A	
Max. switching capacity		600VA	120W

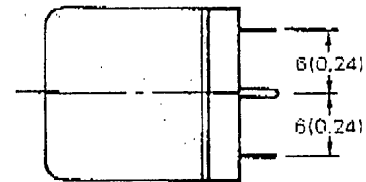
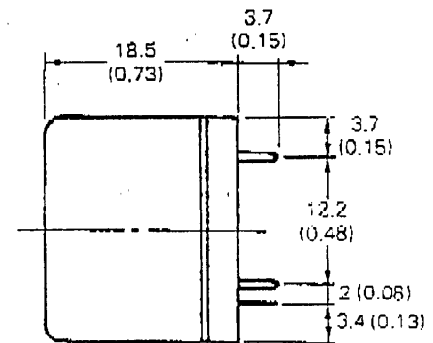
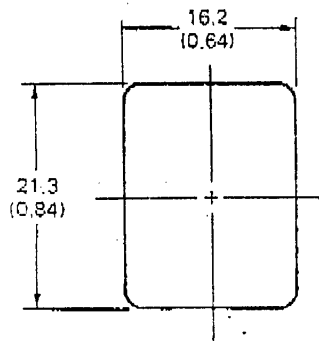
● CHARACTERISTICS

Item	Type	KU1T
Contact resistance		100mΩ Max.
Operate time		15ms Max. (at rated voltage)
Release time		10ms Max.
Insulation resistance		100mΩ Min.
Dielectric strength		750VAC (1 Min.)
Ambient temperature		Operating: -10 to +50°C
Humidity		45 to 85% RH
Service life		Mechanical: 1×10^7 Operations min. Electrical: 1×10^5 Operations min. (at contact ratings)

■ DIMENSIONS

● KU1T

UNIT:mm(inch)



Terminal arrangement (Bottom view)

Mounting holes

