

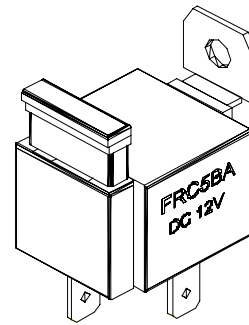
FRC5 RELAY



FEATURES

Replacement Relay

Fuse design (Blade fuse)
30A Contact Rating
High temperature design
Ideal for use in control car
Quick connect terminal



SPECIFICATIONS

COIL RATING

RATED VOLTAGE (V DC)	COIL RESISTANCE Ω +/- 10 %	RATED CURRENT (mA)	MUST OPERATE VOLTAGE	MUST DROPOUT VOLTAGE	MAXIMUM VOLTAGE	POWER CONSUMPTION
			% OF RATED VOLTAGE (At +20 °C)			
6	20	300	65 Max.	10 Min.	130 Max.	1.8W (Approx.)
12	80	150				
24	320	75				

CHARACTERISTICS

Contact Arrangement	SPST (1 FORM A)
Contact Material	Silver Alloy
Contact Resistance	50m Ω Max.
Contact Rating (Resistive Load)	Standard : 15A/ 14VDC "B" Type : 30A/ 14VDC
Switching Voltage	DC 75V
Operate Time (Initial)	7ms Max. Typical
Release Time (Initial)	5 ms Max. Typical
Insulation Resistance	100M Ω Min. (500V DC)
Dielectric Strength	500Vrms between coil and contact
Shock Resistance	20g Approx.
Vibration Resistance	10 - 40Hz, Double Amplitude 1.5mm
Ambient Temperature	-40°C to +85°C
Humidity	85% R.H. at +40°C
Operation Life	Mechanical : 10^7 Electrical : 10^5 (At rated load)
Weight	30g Approx.

[Specifications are subject to change without notices.]

FORWARD INDUSTRIAL COMPANY. (O/B COMMERCIAL UNION LTD)

RM. 1405, Wu Sang House, 655 Nathan Road, Mongkok, Kowloon, Hong Kong.

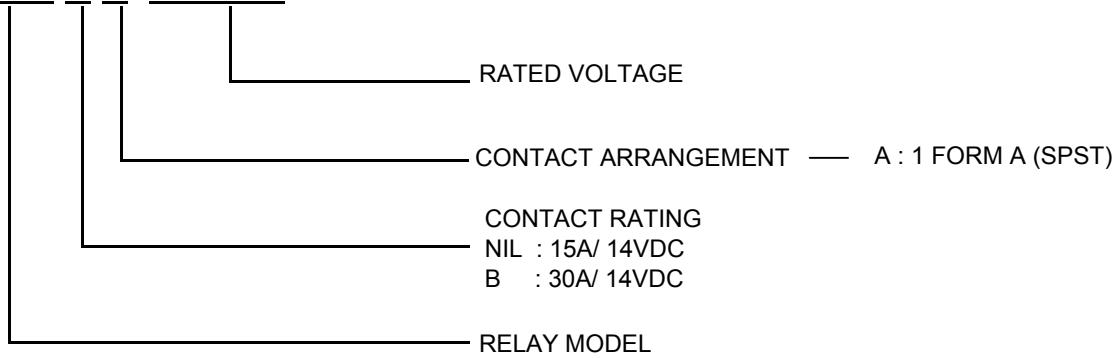
TEL : (852) 27892365 FAX : (852) 27893102 E-MAIL : sales@ficrelay.com.hk WEBSITE : <http://www.ficrelay.com.hk>

FRC5 RELAY



ORDERING INFORMATION

FRC5 B A DC 12V



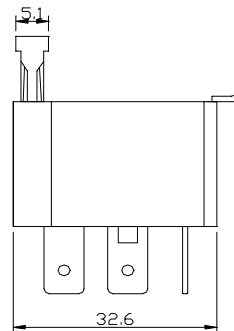
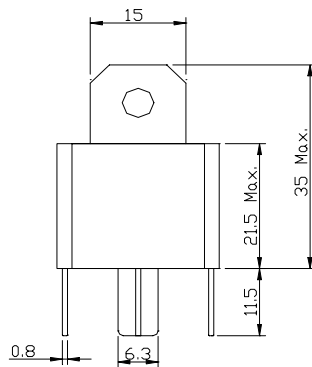
Note : Pb-Free and RoHS compliant relays are available.

For ordering, please add suffix "Pb-Free" or "RoHS" to standard relay part numbers.

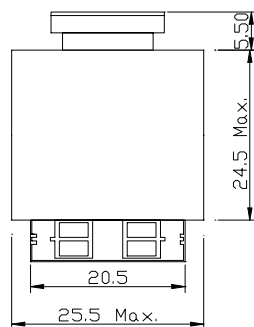
For example : FRC5BA DC 12V "Pb-Free" for Pb-Free Relay

For example : FRC5BA DC 12V "RoHS" for RoHS Compliant Relay

DIMENSIONS (UNIT : mm)



TOP SURFACE VIEW



BLADE FUSE

