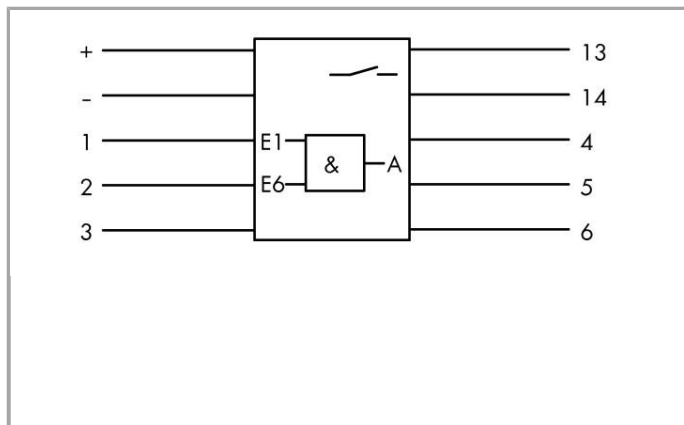


Data sheet | Item number: 286-826

AND gate module with 6 inputs

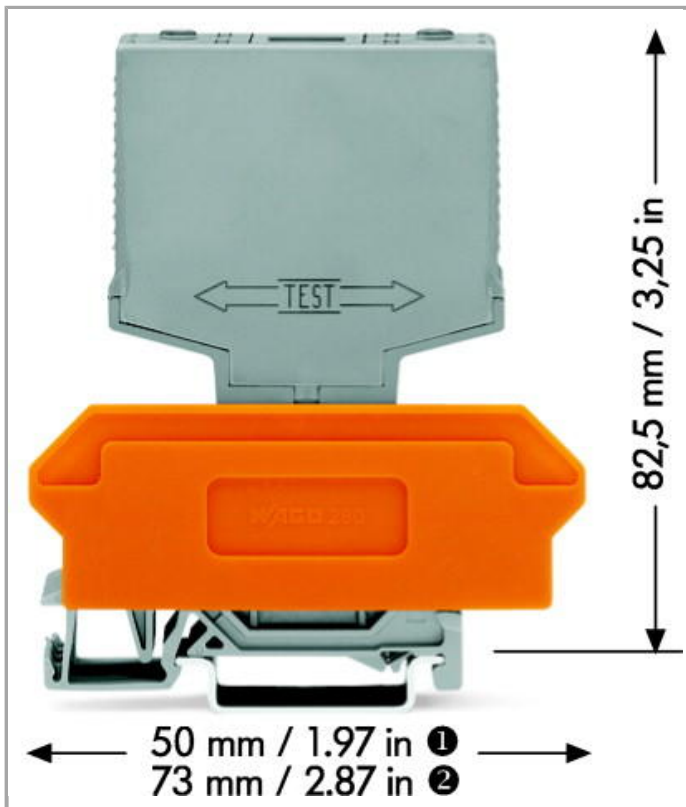
www.wago.com/286-826



RoHS Compliant

[BOMcheck.net](https://www.bomcheck.net)

Color:



Data

Electrical data

Nominal operating voltage	24 VDC
Operating voltage	24 ... 27.5 VDC
Current consumption at supply voltage	34.6 mA
Number of make contacts/switch on contacts	1
Limiting continuous current	3 A
Max. switching voltage	250 VAC; 120VDC
Max. switching power (resistive)	750 VAAC; 120 WDC

Safety and protection:

Rated voltage	250 V
Rated impulse voltage	4 kV
Pollution degree	2
Dielectric strength input/output (AC, 1 min)	2.5 kV _{rms}

Geometrical Data

Width	25 mm / 0.984 inch
-------	--------------------

Mechanical data

Type of mounting	Pluggable module for carrier terminal blocks
Housing design	Pluggable module for terminal blocks

Material Data

Color	light gray
Fire load	0.445 MJ
Weight	34 g

Environmental Requirements




Surrounding air (operating) temperature	-25 ... 40 °C
---	---------------

Commercial data





Country of origin	DE
GTIN	4045454344269
Customs Tariff No.	85369010000
Product Group	6 (Interface Electronics)

Compatible products

General accessories

	Item no.: 280-629 Terminal block for pluggable modules; 20-pole; with 4-conductor terminal blocks; with orange separator; for DIN-rail 35 x 15 and 35 x 7.5; 2.5 mm ²	www.wago.com/280-629
	Item no.: 280-639 Terminal block for pluggable modules; 10-pole; with 2-conductor terminal blocks; with orange separator; for DIN-rail 35 x 15 and 35 x 7.5; 2.5 mm ²	www.wago.com/280-639
	Item no.: 280-765 Terminal block for pluggable modules; 20-pole; with 4-conductor terminal blocks; with marker carrier; with orange separator; for DIN-rail 35 x 15 and 35 x 7.5; 2.5 mm ²	www.wago.com/280-765

Marking accessories

	Item no.: 209-701 WSB marking card; as card; not stretchable; plain; snap-on type	www.wago.com/209-701
	Item no.: 209-701/000-002 WSB marking card; as card; not stretchable; plain; snap-on type	www.wago.com/209-701/000-002
	Item no.: 209-701/000-005 WSB marking card; as card; not stretchable; plain; snap-on type	www.wago.com/209-701/000-005
	Item no.: 209-701/000-006 WSB marking card; as card; not stretchable; plain; snap-on type	www.wago.com/209-701/000-006



Item no.: 209-701/000-007
WSB marking card; as card; not stretchable; plain; snap-on type

www.wago.com/209-701/000-007



Item no.: 209-701/000-012
WSB marking card; as card; not stretchable; plain; snap-on type

www.wago.com/209-701/000-012



Item no.: 209-701/000-017
WSB marking card; as card; not stretchable; plain; snap-on type

www.wago.com/209-701/000-017



Item no.: 209-701/000-023
WSB marking card; as card; not stretchable; plain; snap-on type

www.wago.com/209-701/000-023



Item no.: 209-701/000-024
WSB marking card; as card; not stretchable; plain; snap-on type

www.wago.com/209-701/000-024

Downloads

Documentation

Bid Text

286-826	Jan 15, 2016	DOC 24.1 kB	Download
Interface-Bausteine mit Sonderfunktionen			

Additional Information

Disposal; Electrical and electronic equipment, Packaging	Oct 15, 2018	265.8 kB	Download
--	--------------	----------	----------

smartDATA

CAD data

3D Download 286-826	URL	Download
---------------------	-----	----------

Subject to changes.