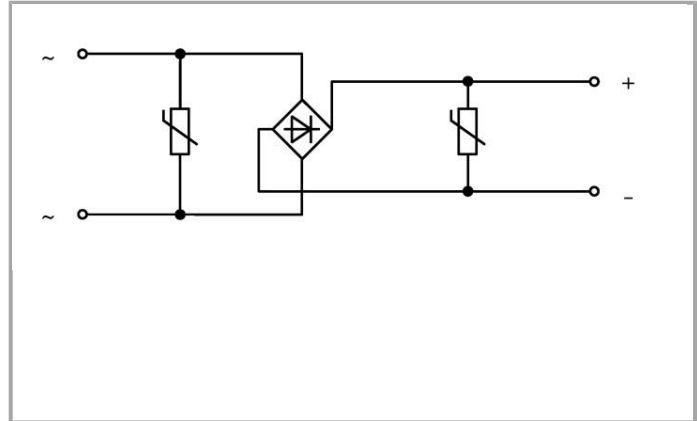
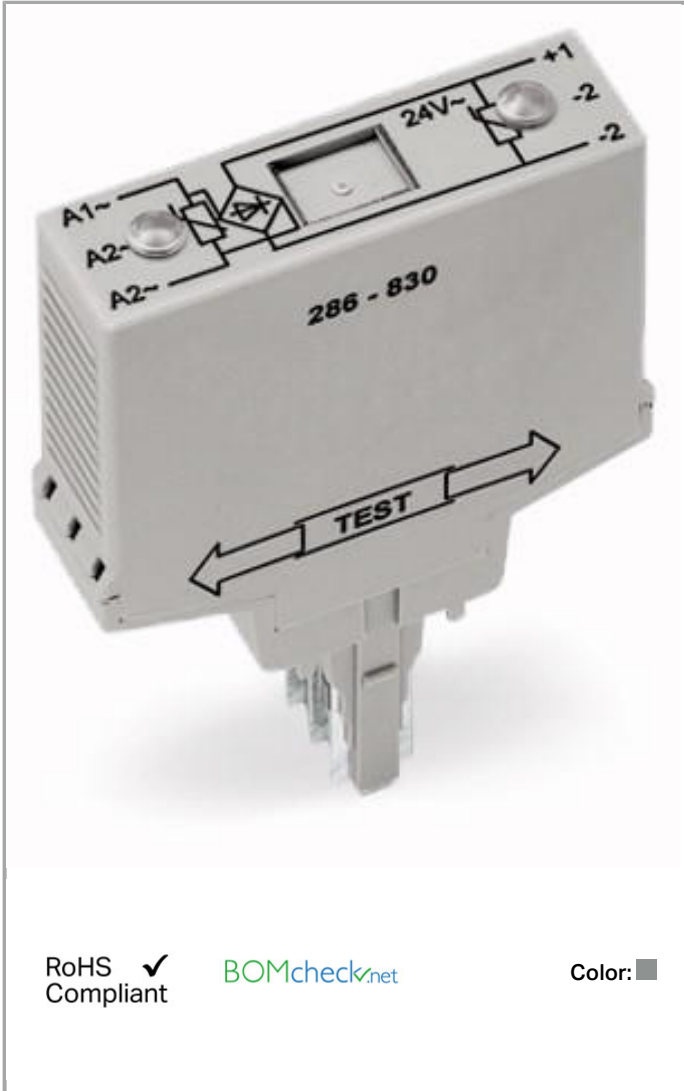


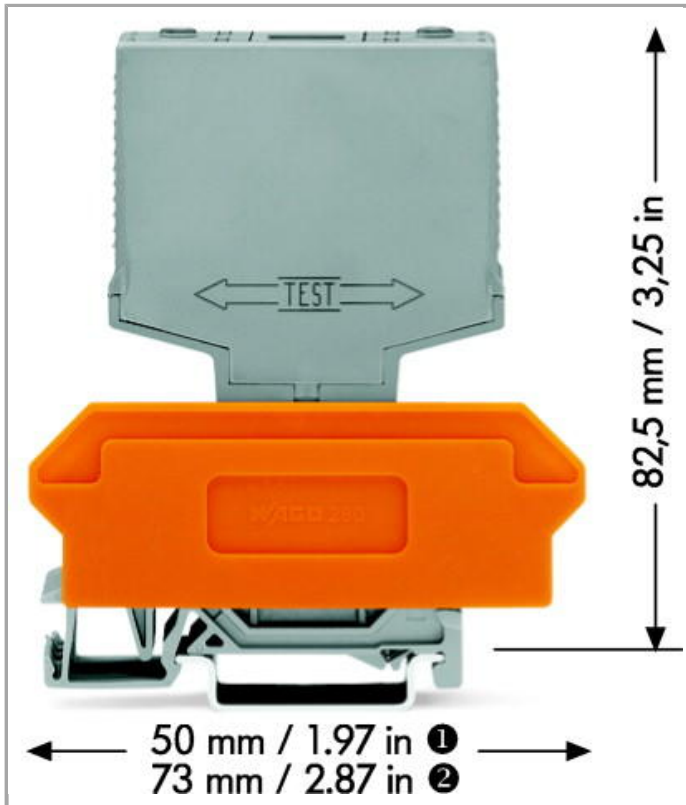
Data sheet | Item number: 286-840

Bridge rectifier module; Input voltage: 250 VAC; with varistor protective circuit



www.wago.com/286-840





Data

Electrical data

Nominal operating voltage	230 VAC
Operating voltage	≤ 250 VAC
Nominal current	1 A
Switch-on capacity	< 500 μF

Geometrical Data

Width	15 mm / 0.591 inch
-------	--------------------

Mechanical data

Type of mounting	Pluggable module for carrier terminal blocks
Housing design	Pluggable module for terminal blocks

Material Data

Color	gray
Fire load	0.322 MJ
Weight	22 g

Environmental Requirements

Surrounding air (operating) temperature -25 ... 40 °C

Commercial data

Country of origin	DE
GTIN	4045454739676
Customs Tariff No.	85363010900
Product Group	6 (Interface Electronics)

Compatible products

Marking accessories

	Item no.: 209-701 WSB marking card; as card; not stretchable; plain; snap-on type	www.wago.com/209-701
	Item no.: 209-701/000-002 WSB marking card; as card; not stretchable; plain; snap-on type	www.wago.com/209-701/000-002
	Item no.: 209-701/000-005 WSB marking card; as card; not stretchable; plain; snap-on type	www.wago.com/209-701/000-005
	Item no.: 209-701/000-006 WSB marking card; as card; not stretchable; plain; snap-on type	www.wago.com/209-701/000-006
	Item no.: 209-701/000-007 WSB marking card; as card; not stretchable; plain; snap-on type	www.wago.com/209-701/000-007
	Item no.: 209-701/000-012 WSB marking card; as card; not stretchable; plain; snap-on type	www.wago.com/209-701/000-012
	Item no.: 209-701/000-017 WSB marking card; as card; not stretchable; plain; snap-on type	www.wago.com/209-701/000-017
	Item no.: 209-701/000-023 WSB marking card; as card; not stretchable; plain; snap-on type	www.wago.com/209-701/000-023
	Item no.: 209-701/000-024 WSB marking card; as card; not stretchable; plain; snap-on type	www.wago.com/209-701/000-024

Downloads

Documentation



Bid Text

286-840 Interface-Bausteine mit Sonderfunktionen	Jan 15, 2016	DOC 24.6 kB	Download
---	--------------	----------------	----------

Additional Information

Disposal; Electrical and electronic equipment, Packaging	Oct 15, 2018	265.8 kB	Download
--	--------------	----------	----------

Subject to changes.