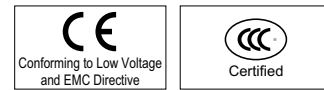
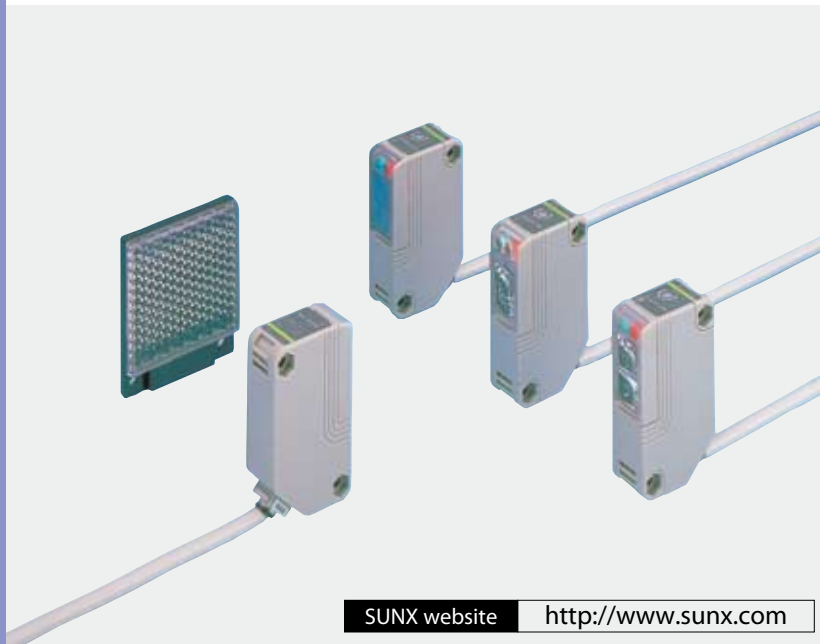


# NX5 SERIES

Related Information	General terms and conditions .....P.1	Sensor selection guide .....P.11~ / P.229~
	Glossary of terms / General precautions .....P.983~ / P.986~	China's CCC mark ..... P.1036

- FIBER SENSORS
- LASER SENSORS
- PHOTOELECTRIC SENSORS
- MICRO PHOTOELECTRIC SENSORS
- AREA SENSORS
- SAFETY COMPONENTS
- PRESSURE SENSORS
- INDUCTIVE PROXIMITY SENSORS
- PARTICULAR USE SENSORS
- SENSOR OPTIONS
- WIRE-SAVING SYSTEMS
- MEASUREMENT SENSORS
- STATIC CONTROL DEVICES
- LASER MARKERS

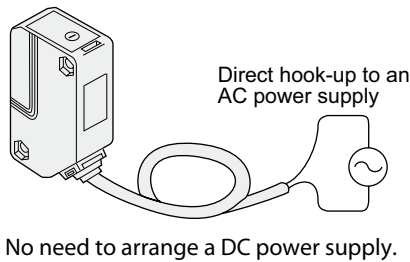


SUNX website <http://www.sunx.com>

## Multi-voltage photoelectric sensor usable worldwide

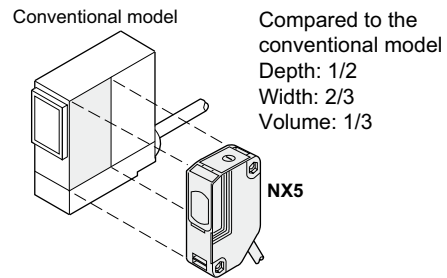
### Multi-voltage

The NX5 series can operate at 24 to 240 V AC or 12 to 240 V DC, which makes it suitable for supply voltages all over the world.



### Compact size

Despite being multi-voltage, it has a depth of just 35 mm **1.378 in.** (W18 × H62 × D35 mm **W0.709 × H2.441 × D1.378 in**)

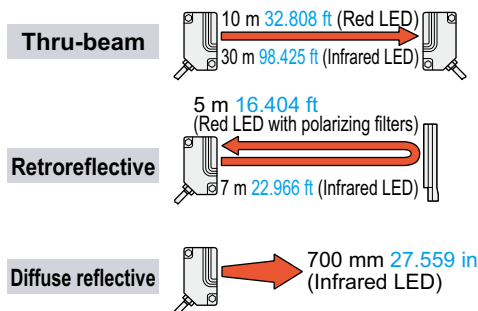


- Selection Guide
- Amplifier Built-in
- CX-400
- EX-10
- EX-20
- EX-30
- EX-40
- EQ-30
- EQ-500
- MQ-W
- RX-LS200
- RX
- CY
- PX-2
- RT-610
- Multi-voltage
- NX5
- VF
- Amplifier-separated
- SU-7 / SH
- SS-A5 / SH
- Other Products

## BASIC PERFORMANCE

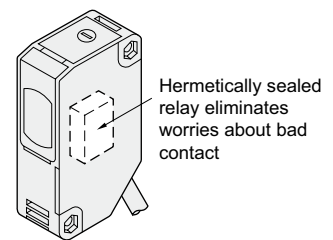
### Long sensing range

Most suitable for conveyor lines and parking lot applications.



### High reliability

It has IP66 protection. Moderate dust or water splashes do not affect it. The hermetically sealed output relay significantly increases its reliability.



## FUNCTIONS / MOUNTING

### Easy alignment

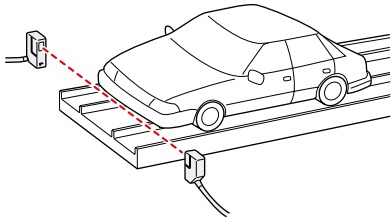
The 10 m **32.808 ft** thru-beam type sensor and the 5 m **16.404 ft** retroreflective type sensor incorporate a red LED beam source. Beam alignment can be attained by visually checking the emitted beam.

### Interference prevention

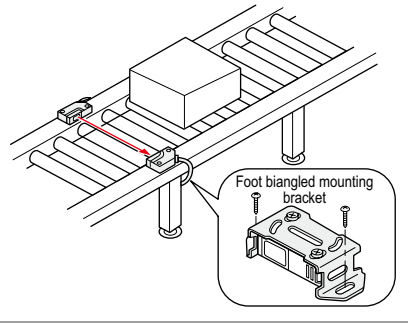
Two sensors operate quite normally even if mounted close together. (Excluding the 30 m **98.425 ft** thru-beam type sensor)

APPLICATIONS

Detecting car position at parking garage



Detecting workpieces on conveyor line

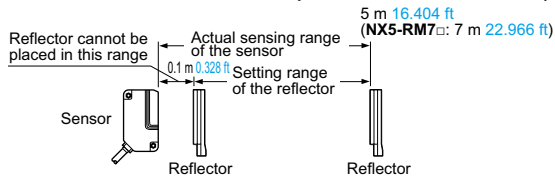


ORDER GUIDE

Type		Appearance	Sensing range	Model No. (Note 2, 3)	Emitting element	Output
Thru-beam	Long sensing range		10 m 32.808 ft	NX5-M10RA	Red LED	Relay contact 1c
				NX5-M10RB		
	Long sensing range		30 m 98.425 ft	NX5-M30A	Infrared LED	
				NX5-M30B		
Retroreflective	With polarizing filters		0.1 to 5 m 0.328 to 16.404 ft (Note 1)	NX5-PRVM5A	Red LED	
				NX5-PRVM5B		
	Long sensing range		0.1 to 7 m 0.328 to 22.966 ft (Note 1)	NX5-RM7A	Infrared LED	
				NX5-RM7B		
Diffuse reflective	Light-ON		700 mm 27.559 in	NX5-D700A	Infrared LED	
	Dark-ON			NX5-D700B		

NOTE: Mounting bracket is not supplied with the sensor. Please select from the range of optional sensor mounting brackets (three types).

Notes: 1) The sensing range of the retroreflective type sensor is specified for the RF-230 reflector. Further, the sensing range is the possible setting range for the reflector. The sensor can detect an object less than 0.1 m 0.328 ft away.



5 m 16.404 ft cable length type

5 m 16.404 ft cable length type (standard: 2 m 6.562 ft) is also available. When ordering this type, suffix "C5" to the model No. (e.g.) 5 m 16.404 ft cable length type of NX5-M10RA is "NX5-M10RA-C5".

- The model No. with suffix "P" shown on the label affixed to the thru-beam type sensor is the emitter, "D" shown on the label is the receiver. (e.g.) Emitter of NX5-M10RA: NX5-M10RP, Receiver of NX5-M10RA: NX5-M10RAD
- Light-ON type sensor (model No. with suffix "A") and Dark-ON type sensor (model No. with suffix "B") are available in the NX5 series. For the following models, in case of power off, the output relay condition is the same as when an object is detected. (In case of power supply line disconnection, the output operation is the same as when an object is detected.) Refer to p.369 for the output operation of each model.

Accessory

- RF-230 (Reflector)



Thru-beam type	Retroreflective type	Diffuse reflective type
NX5-M10RA and NX5-M30A (Light-ON)	NX5-PRVM5A and NX5-RM7A (Light-ON)	NX5-D700B (Dark-ON)

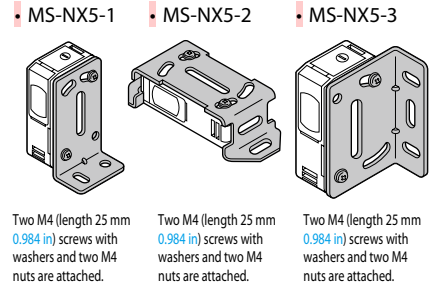
FIBER SENSORS  
LASER SENSORS  
PHOTO-ELECTRIC SENSORS  
MICRO PHOTO-ELECTRIC SENSORS  
AREA SENSORS  
SAFETY COMPONENTS  
PRESSURE SENSORS  
INDUCTIVE PROXIMITY SENSORS  
PARTICULAR USE SENSORS  
SENSOR OPTIONS  
WIRE- SAVING SYSTEMS  
MEASURE- MENT SENSORS  
STATIC CONTROL DEVICES  
LASER MARKERS  
Selection Guide  
Amplifier Built-in  
CX-400  
EX-10  
EX-20  
EX-30  
EX-40  
EQ-30  
EQ-500  
MQ-W  
RX-LS200  
RX  
CY  
PX-2  
RT-610  
Multi-voltage  
NX5  
VF  
Amplifier-separated  
SU-7 / SH  
SS-A5 / SH  
Other Products

OPTIONS

Designation	Model No.	Description
Sensor mounting bracket	MS-NX5-1	Foot angled mounting bracket (The thru-beam type sensor needs two brackets.)
	MS-NX5-2	Foot biangled mounting bracket (sensor protection bracket) (The thru-beam type sensor needs two brackets.)
	MS-NX5-3	Back angled mounting bracket (The thru-beam type sensor needs two brackets.)
Slit mask (For thru-beam type sensor only)	OS-NX5-3×6 (Slit size 3 × 6 mm 0.118 × 0.236 in)	Slit on one side <ul style="list-style-type: none"> <li>Sensing range: 3 m 9.843 ft [NX5-M10R ] 16 m 52.493 ft [NX5-M30 ]</li> <li>Min. sensing object: ø10 mm ø0.394 in [NX5-M10R ] ø20 mm ø0.787 in [NX5-M30 ]</li> </ul>
		Slit on both sides <ul style="list-style-type: none"> <li>Sensing range: 1 m 3.281 ft [NX5-M10R ] 6 m 19.685 ft [NX5-M30 ]</li> <li>Min. sensing object: 3 × 6 mm 0.118 × 0.236 in</li> </ul>
Interference prevention filter (For NX5-M10RA or NX5-M10RB only)	PF-NX5-V (Vertical)	Same type of filters on both sides <ul style="list-style-type: none"> <li>Sensing range: 5 m 16.404 ft</li> <li>Min. sensing object: ø20 mm ø0.787 in</li> </ul> (One set consists of 2 pcs. of interference prevention filters.)
	PF-NX5-H (Horizontal)	
Reflector (For retro-reflective type sensor only) (Note1)	RF-210	<ul style="list-style-type: none"> <li>Sensing range: 0.1 to 1.5 m 0.328 to 4.921 ft [NX5-PRVM5 ] 0.1 to 2.5 m 0.328 to 8.202 ft [NX5-RM7 ]</li> <li>Min. sensing object: ø30 mm ø1.181 in</li> </ul>
	RF-220	<ul style="list-style-type: none"> <li>Sensing range: 0.1 to 3.5 m 0.328 to 11.483 ft [NX5-PRVM5 ] 0.1 to 5 m 0.328 to 16.404 ft [NX5-RM7 ]</li> <li>Min. sensing object: ø35 mm ø1.378 in</li> </ul>
Reflector mounting bracket (Note1)	MS-RF21-1	Protective mounting bracket for RF-210 It protects the reflector from damage and maintains alignment.
	MS-RF22	For RF-220
	MS-RF23	For RF-230
Reflective tape (For retro-reflective type sensor only) (Note1)	RF-11	<ul style="list-style-type: none"> <li>Ambient temperature: -25 to +50 °C -13 to +122 °F</li> <li>Ambient humidity: 35 to 85 % RH</li> </ul> Notes <ul style="list-style-type: none"> <li>Keep the tape free from stress. If it is pressed too much, its capability may deteriorate.</li> <li>Do not cut the tape. It will deteriorate the sensing performance.</li> </ul>
	RF-12	<ul style="list-style-type: none"> <li>Sensing range: 0.1 to 1 m 0.328 to 3.281 ft [NX5-PRVM5 ] 0.1 to 1.5 m 0.328 to 4.921 ft [NX5-RM7 ]</li> </ul>
Sensor checker (Note2)	CHX-SC2	It is useful for beam alignment of thru-beam type sensors. The optimum receiver position is given by indicators, as well as an audio signal.

Notes: 1) Refer to the CX-400 series (p.251~) for dimensions of reflector, reflector mounting bracket and reflective tape.  
2) Refer to p.800 for details of the sensor checker CHX-SC2.

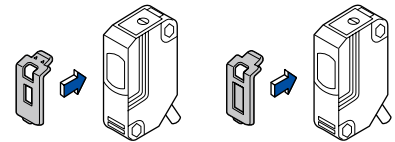
Sensor mounting bracket



Slit mask

- OS-NX5-3×6

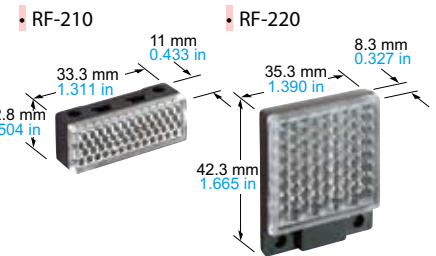
Fitted on the front face of the sensor with onetouch.



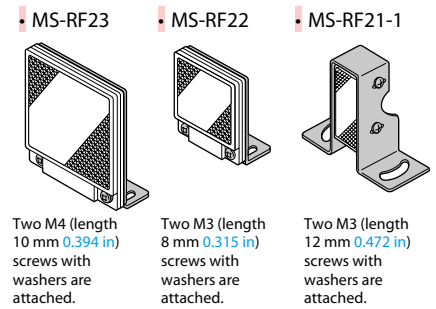
Interference prevention filter  
(For NX5-M10R only)

- PF-NX5-V
  - PF-NX5-H
- Two sets of thru-beam type sensors (Red LED type) can be mounted close together.

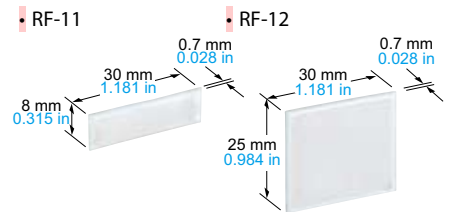
Reflector



Reflector mounting bracket

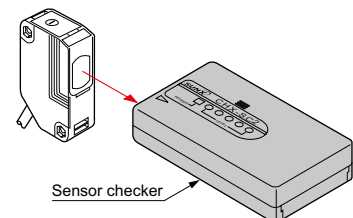


Reflective tape



Sensor checker

- CHX-SC2



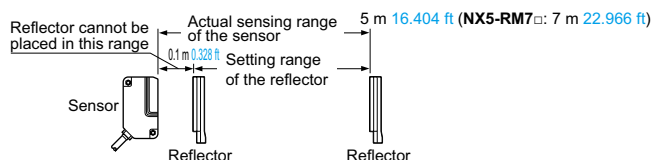
- FIBER SENSORS
- LASER SENSORS
- PHOTO-ELECTRIC SENSORS
- MICRO PHOTO-ELECTRIC SENSORS
- AREA SENSORS
- SAFETY COMPONENTS
- PRESSURE SENSORS
- INDUCTIVE PROXIMITY SENSORS
- PARTICULAR USE SENSORS
- SENSOR OPTIONS
- WIRE-SAVING SYSTEMS
- MEASUREMENT SENSORS
- STATIC CONTROL DEVICES
- LASER MARKERS
- Selection Guide
- Amplifier Built-in
- CX-400
- EX-10
- EX-20
- EX-30
- EX-40
- EQ-30
- EQ-500
- MQ-W
- RX-L5200
- RX
- CY
- PX-2
- RT-610
- Multi-voltage
- NX5
- VF
- Amplifier-separated
- SU-7 / SH
- SS-A5 / SH
- Other Products

## SPECIFICATIONS

Item	Type Model No.	Thru-beam				Retroreflective				Diffuse reflective	
		NX5-M10RA	NX5-M10RB	NX5-M30A	NX5-M30B	With polarizing filters		Long sensing range			
Sensing range		10 m <b>32.808 ft</b>		30 m <b>98.425 ft</b>		0.1 to 5 m <b>0.328 to 16.404 ft</b> (Note 2)		0.1 to 7 m <b>0.328 to 22.966 ft</b> (Note 2)		700 mm <b>27.559 in</b> (Note 3)	
Sensing object		ø20 mm <b>ø0.787 in</b> or more opaque object (Note 4)		ø20 mm <b>ø0.787 in</b> or more opaque object (Completely beam interrupted object) (Note 4)		ø50 mm <b>ø1.969 in</b> or more opaque, translucent or specular object (Note 2, 5)		ø50 mm <b>ø1.969 in</b> or more opaque or translucent object (Note 2, 5)		Opaque, translucent or transparent object (Note 5)	
Hysteresis		15 % or less of operation distance (Note 3)									
Repeatability (perpendicular to sensing axis)		0.1 mm <b>0.004 in</b> or less		0.2 mm <b>0.008 in</b> or less						0.3 mm <b>0.012 in</b> or less	
Supply voltage		24 to 240 V AC <sup>+10</sup> <sub>-15</sub> % or 12 to 240 V DC <sup>+10</sup> <sub>-15</sub> % Ripple P-P 10 % or less									
Power consumption		Emitter: 1 VA or less Receiver: 2 VA or less		Emitter: 1.5 VA or less Receiver: 2 VA or less		2 VA or less					
Output		Relay contact 1 c • Switching capacity: 250 V AC 1 A (resistive load) 30 V DC 2 A (resistive load) • Electrical life: 500,000 or more switching operations (switching frequency 3,600 operations/hour) 100,000 or more switching operations (switching frequency 3,600 operations/hour) • Mechanical life: 100 million or more switching operations (switching frequency 36,000 operations/hour)									
Output operation		Light-ON	Dark-ON	Light-ON	Dark-ON	Light-ON	Dark-ON	Light-ON	Dark-ON	Light-ON	Dark-ON
Response time		10 ms or less									
Operation indicator		Red LED (lights up when the output is ON)									
Stability indicator		Green LED (lights up under stable light received condition or stable dark condition)									
Power indicator		—		Red LED (lights up when the power is ON)		—					
Sensitivity adjuster		Continuously variable adjuster		—		Continuously variable adjuster		—		Continuously variable adjuster	
Automatic interference prevention function		(Use optional interference prevention filters)		—		Incorporated (Two units of sensors can be mounted close together.)					
Environmental resistance	Pollution degree	3 (Industrial environment)									
	Protection	IP66 (IEC) (Refer to p.984 for details of standards)									
	Ambient temperature	-20 to +55 °C <b>-4 to +131 °F</b> (No dew condensation or icing allowed) (Note 6), Storage: -30 to +70 °C <b>-22 to +158 °F</b>									
	Ambient humidity	35 to 85 % RH, Storage: 35 to 85 % RH									
	Ambient illuminance	Incandescent light: 3,500 lx at the light-receiving face									
	EMC	EN 61000-6-2, EN 61000-6-4									
	Voltage withstandability	1,500 V AC for one min. between power supply and output terminals, 1,000 V AC for one min. between relay contact terminals									
	Insulation resistance	20 MΩ, or more, with 500 V DC megger between power supply and output terminals, and between relay contact terminals									
	Vibration resistance	10 to 55 Hz frequency, 1.5 mm <b>0.059 in</b> amplitude in X, Y and Z directions for two hours each									
Shock resistance	500 m/s <sup>2</sup> (50 G approx.) in X, Y and Z directions for three times each										
Emitting element		Red LED (modulated)		Infrared LED (modulated)		Red LED (modulated)		Infrared LED (modulated)			
Peak emission wavelength		660 nm <b>0.026 mil</b>		880 nm <b>0.035 mil</b>		660 nm <b>0.026 mil</b>		880 nm <b>0.035 mil</b>			
Material		Enclosure: Polycarbonate, Lens: Polycarbonate, Cover: Polycarbonate, Front cover (retroreflective type sensor only): Acrylic									
Cable		0.3 mm <sup>2</sup> 5-core (thru-beam type emitter: 2-core) cabtyre cable, 2 m <b>6.562 ft</b> long									
Cable extension		Extension up to total 100 m <b>328.084 ft</b> is possible with 0.3 mm <sup>2</sup> , or more, cable (thru-beam type: both emitter and receiver).									
Net weight		Emitter: 100 g approx. Receiver: 140 g approx.		Emitter: 125 g approx. Receiver: 140 g approx.		140 g approx.					
Accessories		Adjusting screwdriver: 1 pc.		—		RF-230 (Reflector): 1 pc. Adjusting screwdriver: 1 pc.		RF-230 (Reflector): 1 pc.		Adjusting screwdriver: 1 pc.	

Notes: 1) Where measurement conditions have not been specified precisely, the conditions used were an ambient temperature of +23 °C **+73.4 °F**.

- 2) The sensing range and the sensing object of the retroreflective type sensor is specified for the RF-230 reflector. Further, the sensing range is the possible setting range for the reflector.  
The sensor can detect an object less than 0.1 m **0.328 ft** away.



- 3) The sensing range and the hysteresis of the diffuse reflective type sensor are specified for white non-glossy paper (200 × 200 mm **7.874 × 7.874 in**) as the object.  
4) If slit masks (optional) are fitted, an object as small as 3 × 6 mm **0.118 × 0.236 in** can be detected.  
5) Make sure to confirm detection with an actual sensor before use.  
6) In case the sensor is to be used at an ambient temperature of -15 °C **+5 °F**, or less, please contact our office.

FIBER SENSORS

LASER SENSORS

PHOTO-ELECTRIC SENSORS

MICRO PHOTO-ELECTRIC SENSORS

AREA SENSORS

SAFETY COMPONENTS

PRESSURE SENSORS

INDUCTIVE PROXIMITY SENSORS

PARTICULAR USE SENSORS

SENSOR OPTIONS

WIRE-SAVING SYSTEMS

MEASUREMENT SENSORS

STATIC CONTROL DEVICES

LASER MARKERS

Selection Guide

Amplifier Built-in

CX-400

EX-10

EX-20

EX-30

EX-40

EQ-30

EQ-500

MQ-W

RX-LS200

RX

CY

PX-2

RT-610

Multi-voltage

NX5

VF

Amplifier-separated

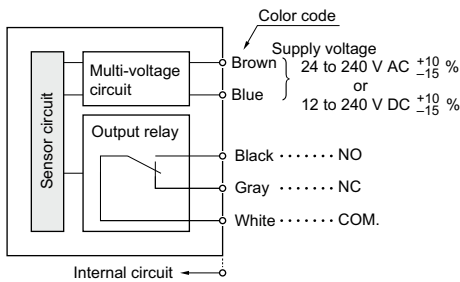
SU-7 / SH

SS-A5 / SH

Other Products

**I/O CIRCUIT DIAGRAM AND OUTPUT OPERATION**

**I/O circuit diagram**



**Output operation**

: Object detected state.

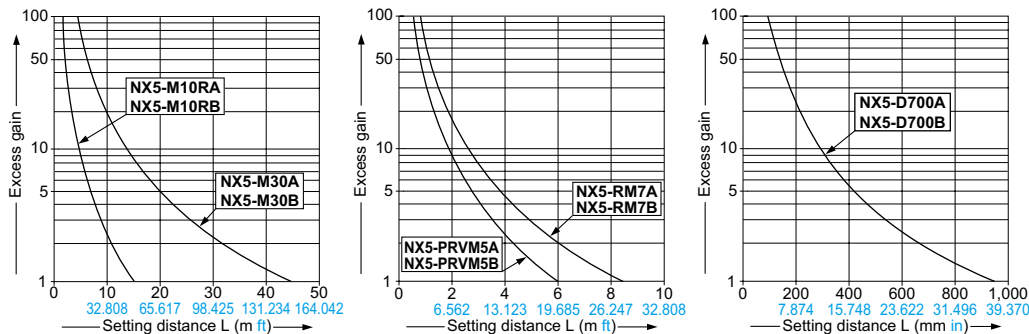
Sensing mode	Thru-beam & Retroreflective type				Diffuse reflective type			
	Light-ON (A) type		Dark-ON (B) type		Light-ON (A) type		Dark-ON (B) type	
Output	NO (Black cable)	NC (Gray cable)	NO (Black cable)	NC (Gray cable)	NO (Black cable)	NC (Gray cable)	NO (Black cable)	NC (Gray cable)
Power OFF	Open	Close	Open	Close	Open	Close	Open	Close
Beam-received	Close	Open	Open	Close	Close	Open	Open	Close
Beam-interrupted	Open	Close	Close	Open	Open	Close	Close	Open

Note: The emitter of the thru-beam type sensor has two wires for power (+V and 0V) only.

**SENSING CHARACTERISTICS (TYPICAL)**

**All models**

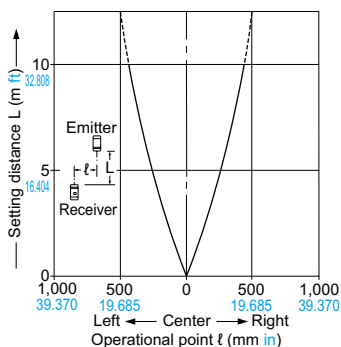
**Correlation between setting distance and excess gain**



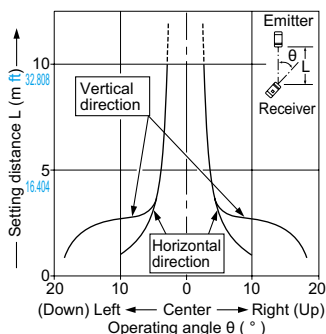
**NX5-M10RA NX5-M10RB**

Thru-beam type

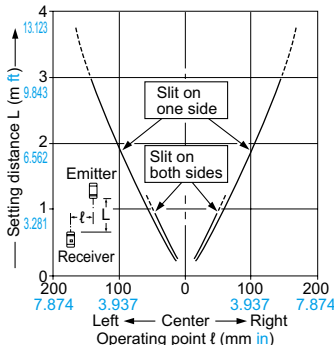
**Parallel deviation**



**Angular deviation**



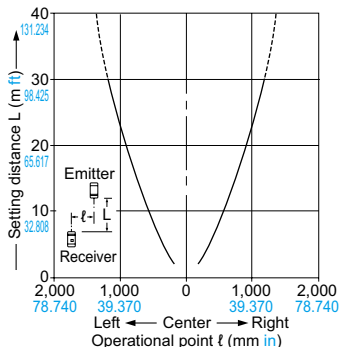
**Parallel deviation with slit masks (3 x 6 mm 0.118 x 0.236 in)**



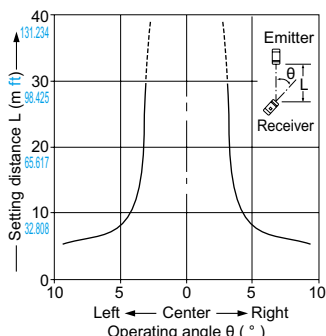
**NX5-M30A NX5-M30B**

Thru-beam type

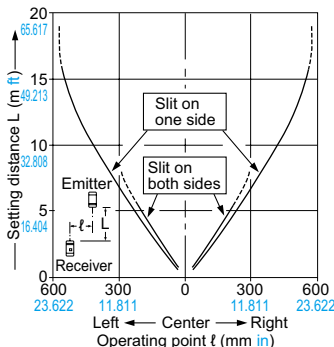
**Parallel deviation**



**Angular deviation**



**Parallel deviation with slit masks (3 x 6 mm 0.118 x 0.236 in)**

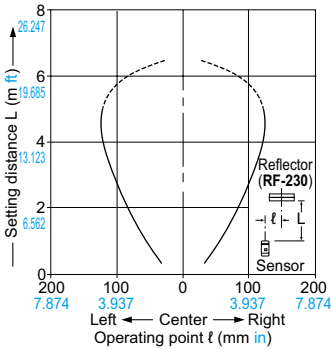


SENSING CHARACTERISTICS (TYPICAL)

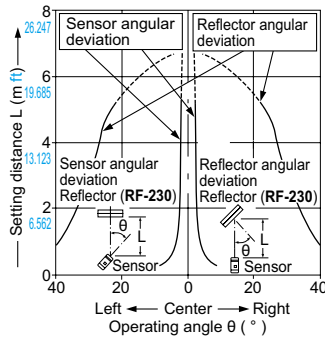
NX5-PRVM5A NX5-PRVM5B

Retroreflective type

Parallel deviation



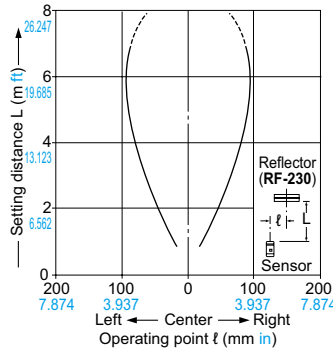
Angular deviation



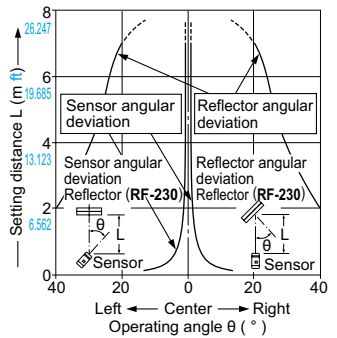
NX5-RM7A NX5-RM7B

Retroreflective type

Parallel deviation



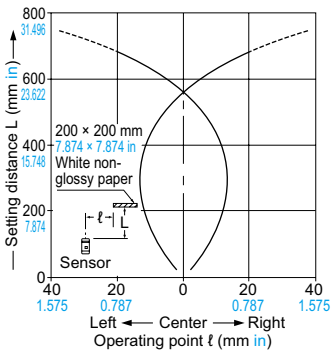
Angular deviation



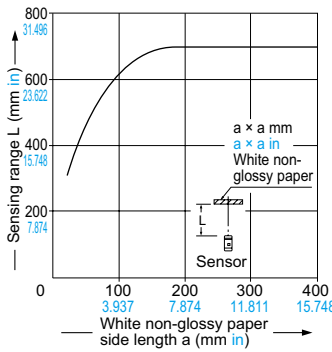
NX5-D700A NX5-D700B

Diffuse reflective type

Sensing field



Correlation between sensing object size and sensing range



As the sensing object size becomes smaller than the standard size (white non-glossy paper 200 × 200 mm 7.874 × 7.874 in), the sensing range shortens, as shown in the left graph.

( For plotting the left graph, the sensitivity has been set such that a 200 × 200 mm 7.874 × 7.874 in white non-glossy paper is just detectable at a distance of 700 mm 27.559 in. )

PRECAUTIONS FOR PROPER USE

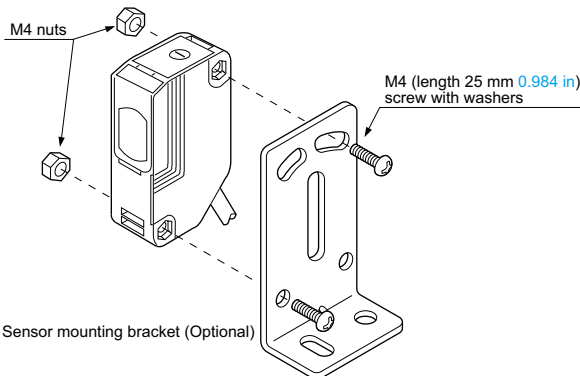
Refer to p.986~ for general precautions.



- Never use this product as a sensing device for personnel protection.
- In case of using sensing devices for personnel protection, use products which meet laws and standards, such as OSHA, ANSI or IEC etc., for personnel protection applicable in each region or country.

Mounting

- The tightening torque should be 0.8 N·m or less.

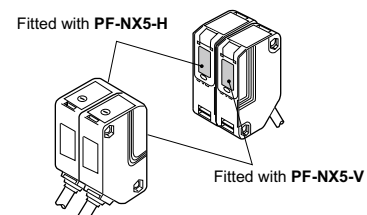


Others

- Do not use during the initial transient time (50 ms) after the power supply is switched on.
- Although the protection degree is specified for the sensor including the cable, the cable end is not waterproof, and is not covered by the protection specified. Hence, make sure that water does not seep in from the cable end.

Interference prevention filter (Exclusively for NX5-M10R )

- Use the interference prevention filters (optional) when two units of thru-beam type sensors are mounted close together.
- There are two types of interference prevention filters. The two sets of thru-beam type sensors should be fitted with different types of interference prevention filters.



Note: The filters cannot be used for NX5-M30A or NX5-M30B.

FIBER SENSORS

LASER SENSORS

PHOTO-ELECTRIC SENSORS

MICRO PHOTO-ELECTRIC SENSORS

AREA SENSORS

SAFETY COMPONENTS

PRESSURE SENSORS

INDUCTIVE PROXIMITY SENSORS

PARTICULAR USE SENSORS

SENSOR OPTIONS

WIRE- SAVING SYSTEMS

MEASURE- MENT SENSORS

STATIC CONTROL DEVICES

LASER MARKERS

Selection Guide

Amplifier Built-in

CX-400

EX-10

EX-20

EX-30

EX-40

EQ-30

EQ-500

MQ-W

RX-L5200

RX

CY

PX-2

RT-610

Multi-voltage

NX5

VF

Amplifier-separated

SU-7 / SH

SS-A5 / SH

Other Products

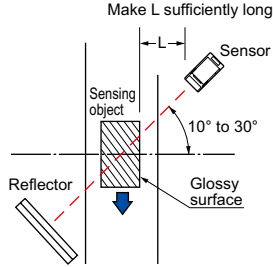
**PRECAUTIONS FOR PROPER USE**

Refer to p.986~ for general precautions.

**Retroreflective type sensor (NX5-RM7)**

Please take care of the following points when detecting materials having a gloss.

- ① Make L, shown in the diagram, sufficiently long.
- ② Install at an angle of 10 to 30 degrees to the sensing object.



\* NX5-PRVM5 does not need the above adjustment.

**Retroreflective type sensor with polarizing filters (NX5-PRVM5)**

If a shiny object is covered or wrapped with a transparent film, such as those described below, the retroreflective type sensor with polarizing filters may not be able to detect it.

In that case, follow the steps given below.

**Example of sensing objects**

- Can wrapped by clear film
- Aluminum sheet covered by plastic film
- Gold or silver color (specular) label or wrapping paper

**Steps**

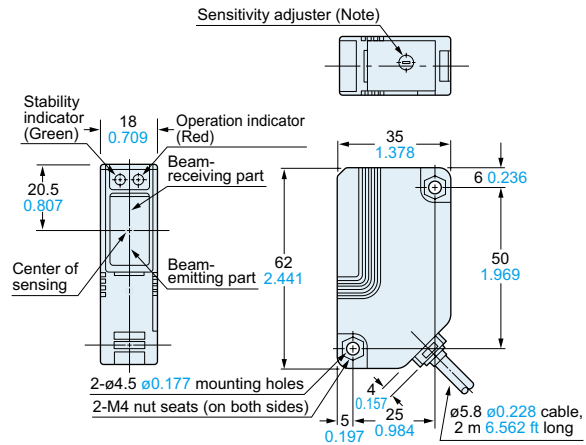
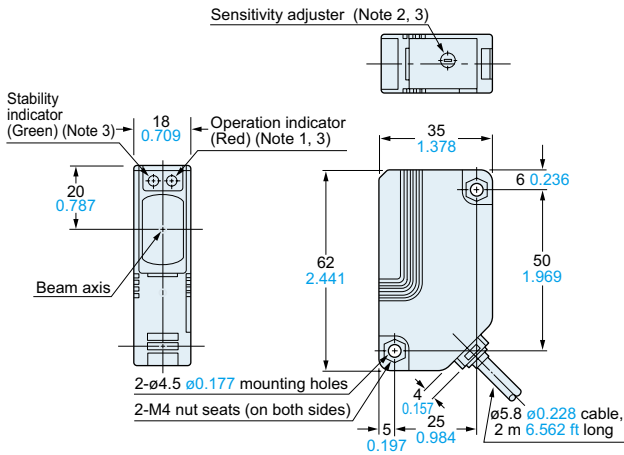
- Tilt the sensor with respect to the sensing object while fitting.
- Reduce the sensitivity.
- Increase the distance between the sensor and the sensing object.

**DIMENSIONS (Unit: mm in)**

The CAD data in the dimensions can be downloaded from the SUNX website: <http://www.sunx.com>  
Refer to the CX-400 series (p.251~) for dimensions of reflector, reflector mounting bracket and reflective tape.

NX5-M10RA NX5-M10RB NX5-M30A NX5-M30B Sensor

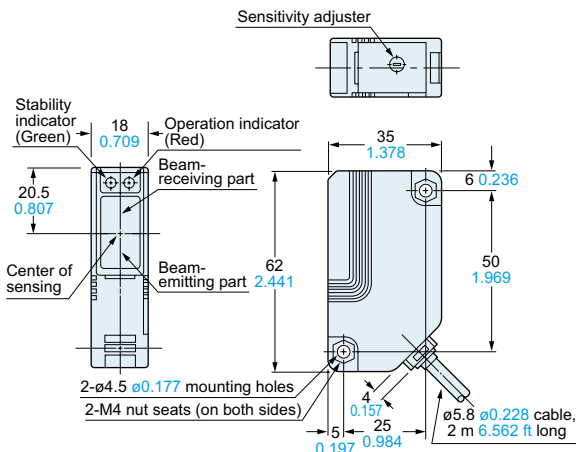
NX5-PRVM5A NX5-PRVM5B NX5-RM7A NX5-RM7B Sensor



Notes: 1) It is the power indicator (red) on the emitter of NX5-M30 .  
2) Not incorporated on NX5-M30 .  
3) Not incorporated on the emitter.

Note: Not incorporated on NX5-RM7 .

NX5-D700A NX5-D700B Sensor



Selection Guide

Amplifier Built-in

**CX-400**

EX-10

EX-20

EX-30

EX-40

EQ-30

EQ-500

MQ-W

RX-LS200

RX

CY

PX-2

**RT-610**

Multi-voltage

**NX5**

VF

Amplifier-separated

SU-7 / SH

SS-A5 / SH

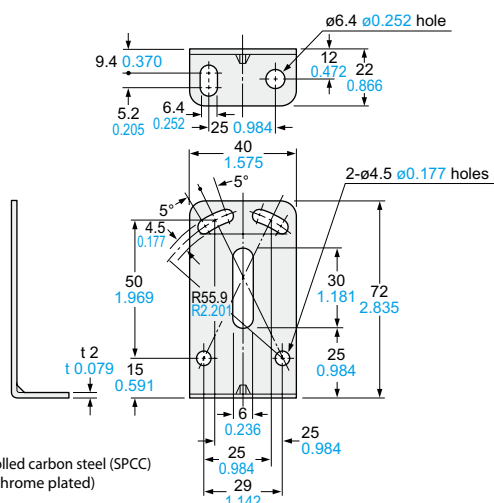
Other Products

## DIMENSIONS (Unit: mm in)

The CAD data in the dimensions can be downloaded from the SUNX website: <http://www.sunx.com>  
Refer to the CX-400 series (p.251~) for dimensions of reflector, reflector mounting bracket and reflective tape.

### MS-NX5-1

Sensor mounting bracket (Optional)

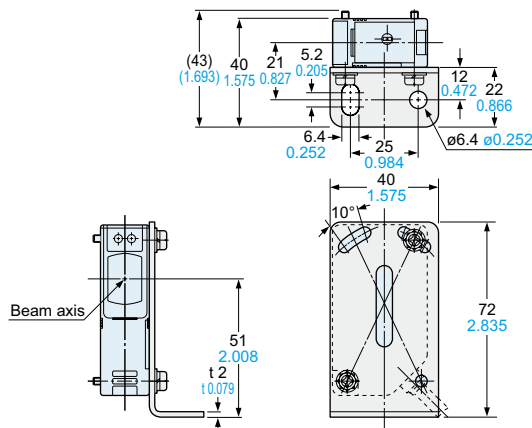


Material: Cold rolled carbon steel (SPCC)  
(Uni-chrome plated)

Two M4 (length 25 mm 0.984 in) screws with washers and two M4 nuts are attached.

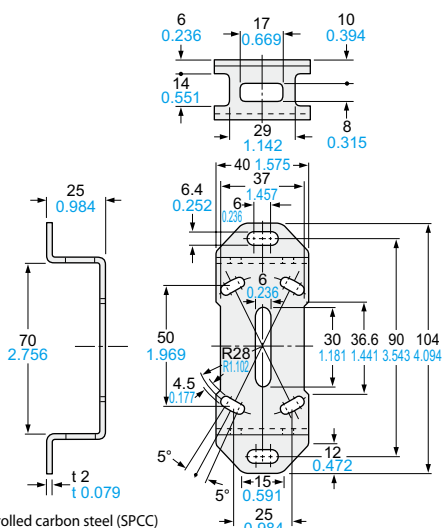
### Assembly dimensions

Mounting drawing with the receiver of NX5-M10R



### MS-NX5-2

Sensor mounting bracket (Optional)

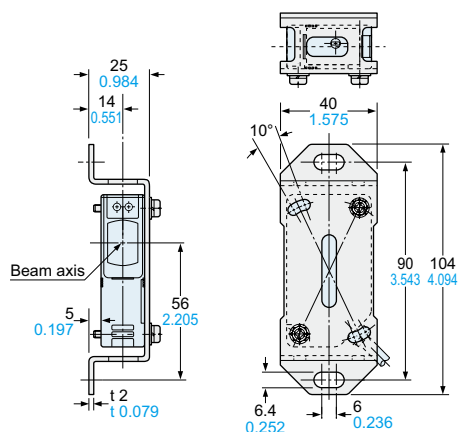


Material: Cold rolled carbon steel (SPCC)  
(Uni-chrome plated)

Two M4 (length 25 mm 0.984 in) screws with washers and two M4 nuts are attached.

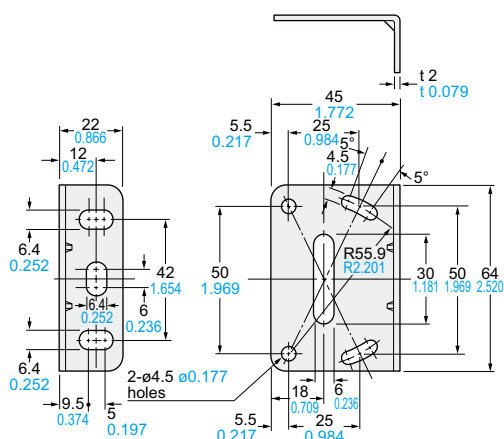
### Assembly dimensions

Mounting drawing with the receiver of NX5-M10R



### MS-NX5-3

Sensor mounting bracket (Optional)

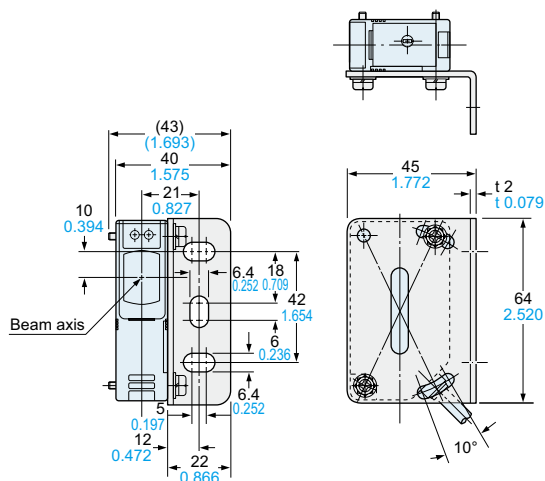


Material: Cold rolled carbon steel (SPCC)  
(Uni-chrome plated)

Two M4 (length 25 mm 0.984 in) screws with washers and two M4 nuts are attached.

### Assembly dimensions

Mounting drawing with the receiver of NX5-M10R



FIBER SENSORS

LASER SENSORS

PHOTO-ELECTRIC SENSORS

MICRO PHOTO-ELECTRIC SENSORS

AREA SENSORS

SAFETY COMPONENTS

PRESSURE SENSORS

INDUCTIVE PROXIMITY SENSORS

PARTICULAR USE SENSORS

SENSOR OPTIONS

WIRE-SAVING SYSTEMS

MEASUREMENT SENSORS

STATIC CONTROL DEVICES

LASER MARKERS

Selection Guide

Amplifier Built-in  
**CX-400**

**EX-10**

**EX-20**

**EX-30**

**EX-40**

**EQ-30**

**EQ-500**

**MQ-W**

**RX-LS200**

**RX**

**CY**

**PX-2**

**RT-610**

Multi-voltage  
**NX5**

**VF**

Amplifier-separated

**SU-7 / SH**

**SS-A5 / SH**

Other Products