

### ELECTRICAL CHARACTERISTICS

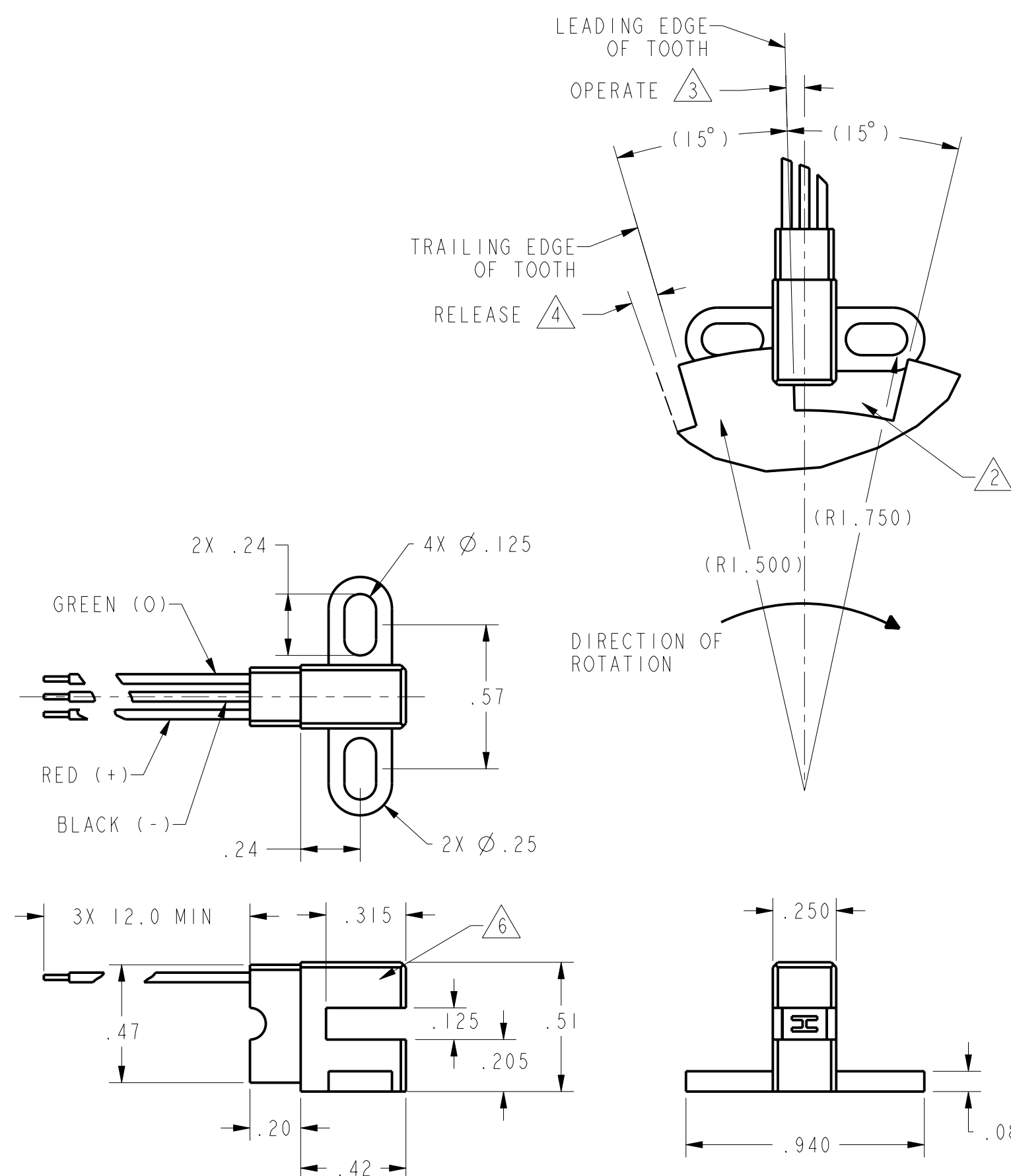
	CONDITION	
SPECIFIED VOLTAGE RANGE		3.8 TO 30 VDC
MAX I <sub>off</sub>	V <sub>cc</sub> =30V, I <sub>sink</sub> =20mA, -20°C<T<+85°C, B>MAX OP	9.0 mA
MAX I <sub>on</sub>	V <sub>cc</sub> =30V, I <sub>sink</sub> =20mA, -20°C<T<+85°C, B>MAX OP	10.0 mA
RATED SINK CURRENT		20 mA
MAX V <sub>sat</sub>	V <sub>cc</sub> =3.8V, I <sub>sink</sub> =20mA, B>MAX OP	0.4 V
MAX LEAKAGE CURRENT	V <sub>out</sub> =30V, V <sub>cc</sub> =24V, B<MIN REL	10 μA
RISE TIME 10% TO 90%	T=25°C, V <sub>cc</sub> =12V, R <sub>2</sub> =1.6 kΩ, C <sub>2</sub> =20pf	1.5 μS
FALL TIME 90% TO 10%	T=25°C, V <sub>cc</sub> =12V, R <sub>2</sub> =1.6 kΩ, C <sub>2</sub> =20pf	1.5 μS

### OPERATING SPECIFICATION

	LIMIT	CONDITIONS
OPERATE	1.5°±2.0°	TARGET ENGAGEMENT .150 TO .300 RPM 0 TO 5000
RELEASE	3.0°±2.5°	SLOT DEPTH .250 MIN

### ABSOLUTE MAXIMUM RATINGS

TEMPERATURE	-20°C TO +85°C
SUPPLY VOLTAGE (V <sub>s</sub> )	3.8 VDC TO 30 VDC
VOLTAGE EXTERNALLY APPLIED TO OUTPUT	-0.5 TO +30 VDC
OUTPUT CURRENT	50 mA
MAGNETIC FLUX	NO LIMIT, CIRCUIT CANNOT BE DAMAGED BY MAGNETIC OVERDRIVE



### NOTES

- 1 - MOUNTING SPECIFICATION: NON-FERROUS #4 MACHINE HEAD SCREWS WITH .25 OD WASHERS TORQUED TO 3-5 INCH LBS.
- 2 SUGGESTED TARGET CONFIGURATION, MATERIAL: .045 LOW CARBON STEEL, HIGH PERMEABILITY, LOW RESIDUAL INDUCTION
- 3 OPERATE (DEGREES) IS THE ANGULAR DISTANCE FROM THE LEADING EDGE OF THE TOOTH TO THE CENTERLINE OF THE SENSOR
- 4 RELEASE (DEGREES) IS THE ANGULAR DISTANCE FROM THE TRAILING EDGE OF THE TOOTH TO THE CENTERLINE OF THE SENSOR
- 5 OPERATING SPECIFICATION IS BASED ON TARGET SHOWN AND WILL VARY WITH TARGET GEOMETRY
- 6 HONEYWELL PART NUMBER AND DATE CODE, ANY SURFACE



UNLESS OTHERWISE SPECIFIED TOLERANCES ARE:	<input checked="" type="checkbox"/> US (inch) CUSTOMARY	<input type="checkbox"/> SI (mm) METRIC	DRAWN	LJK	28NOV00	<b>Honeywell</b> Sensing and Control			
NO PLACE	X	±.040 ±1	CHECK	SAV	28NOV00				TITLE <b>VANE SENSOR (MAGNETIC),</b>
ONE PLACE	.X	±.030 ±0,4	THIS DRAWING COVERS A PROPRIETARY ITEM AND IS THE PROPERTY OF HONEYWELL SENSING AND CONTROL. THIS DRAWING IS NOT TO BE COPIED OR USED WITHOUT THE PERMISSION OF HONEYWELL.			SIZE	DWG TYPE	DRAWING NAME	REV
TWO PLACE	.XX	±.015 ±0,15				C	M	SR17C-J6	5
THREE PLACE	.XXX	±.005 ±	DIMENSIONS ARE TO BE MET BEFORE PROTECTIVE COATINGS ARE APPLIED			SCALE	2 : 1	WEIGHT	SHEET
ANGLES	±	±	3D PTC			ASME Y14.5M-1994	1	OF	1
RAW MATERIAL-COMMERCIAL STANDARD	±	±							
THIRD ANGLE PROJECTION									