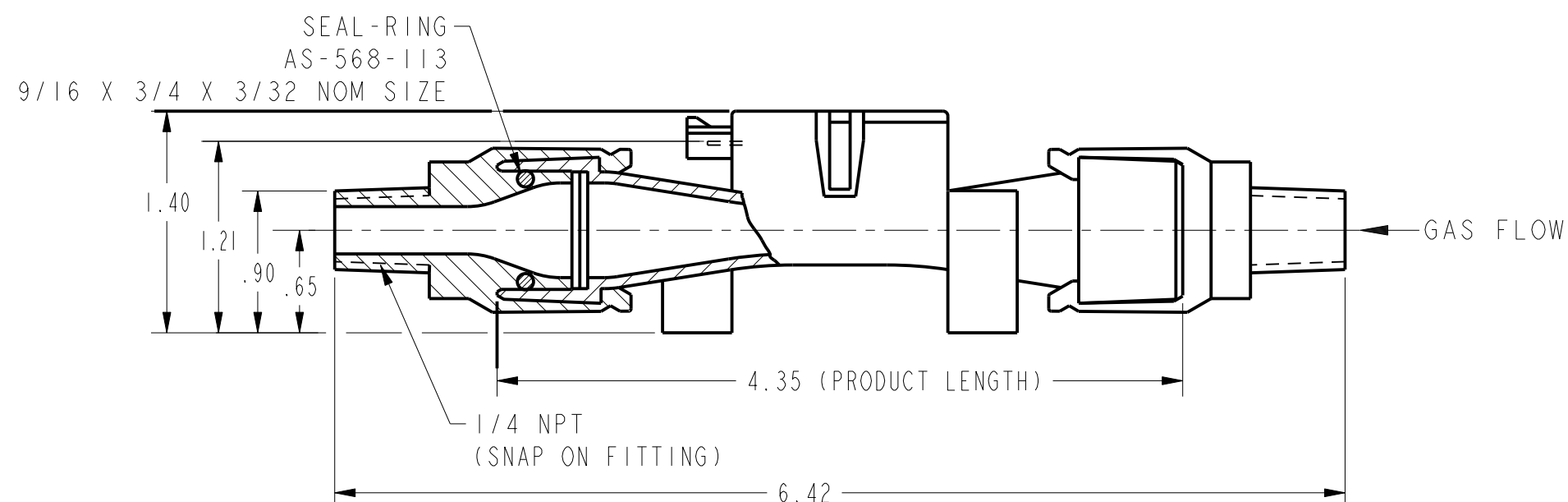
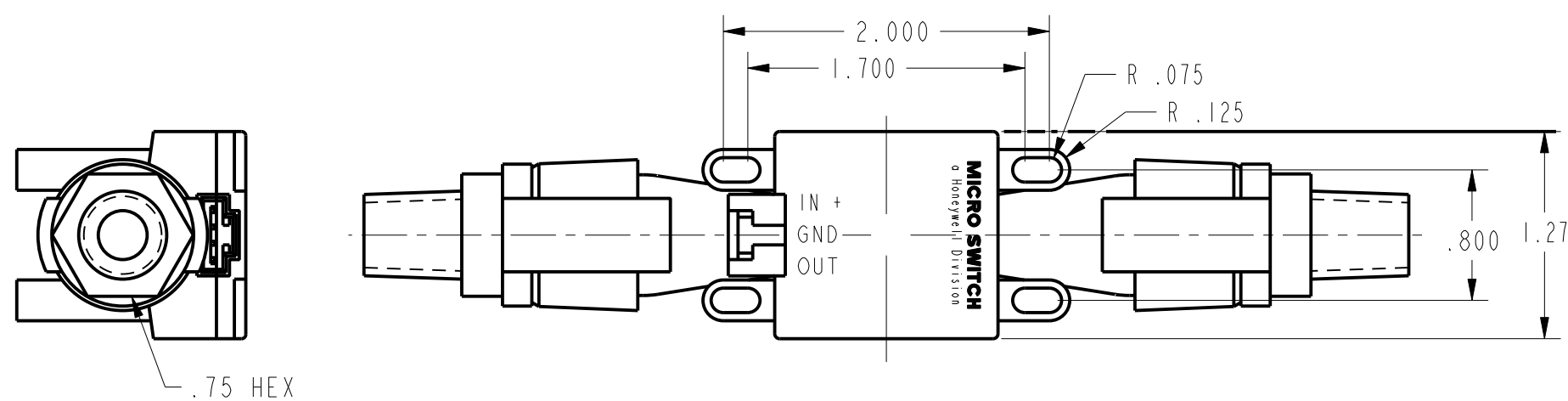




AWM5104VC

SPECIFICATIONS

RECOMMENDED POWER SUPPLY $\Delta 1$	10.00 \pm .01 VDC
MINIMUM POWER SUPPLY	8.0 VDC
MAXIMUM POWER SUPPLY	15 VDC
POWER CONSUMPTION	100mW MAX
OUTPUT TYPE	LINEAR, 1 TO 5 VDC
CALIBRATION GAS	CARBON DIOXIDE
GAS FLOW RANGE *	0-20 SLM *
OUTPUT @ LASER TRIM POINT	5 VDC @ FULL SCALE FLOW
DIFFERENTIAL PRESSURE @ FULL SCALE	SEE PRESSURE VS. AIRFLOW CHART
NULL OUTPUT	1.00 \pm .05 VDC
NULL OUTPUT SHIFT, 0 TO +50°C	\pm .050 VDC TYP, \pm .100 VDC MAX
FULL SCALE OUTPUT SHIFT, 0 TO +25°C/+25 TO 50°C	+10.0% READING MAX
LINEARITY ERROR $\Delta 2$	\pm 3.0% READING
REPEATABILITY & HYSTERESIS	\pm 0.5% F.S.O.
RESPONSE TIME	60.0 mSEC MAX
STORAGE TEMPERATURE RANGE	-20° TO 70°C
OPERATION TEMPERATURE RANGE $\Delta 3$	0° TO 50°C
TERMINATION (.100 CENTERS)	.025 SQUARE
CONNECTOR (4 PIN RECEPTACLE) $\Delta 3$	AMP (103956-3)
WEIGHT	30 GRAMS (2.12OZ)
SHOCK RATING	100 g PEAK, 6 mSEC HALF-SINE (3 DROPS EACH DIRECTION OF 3 AXES)
OVERPRESSURE	50 PSI MAX
LEAK RATE, MAX	0.1 PSI/MIN AT STATIC CONDITION

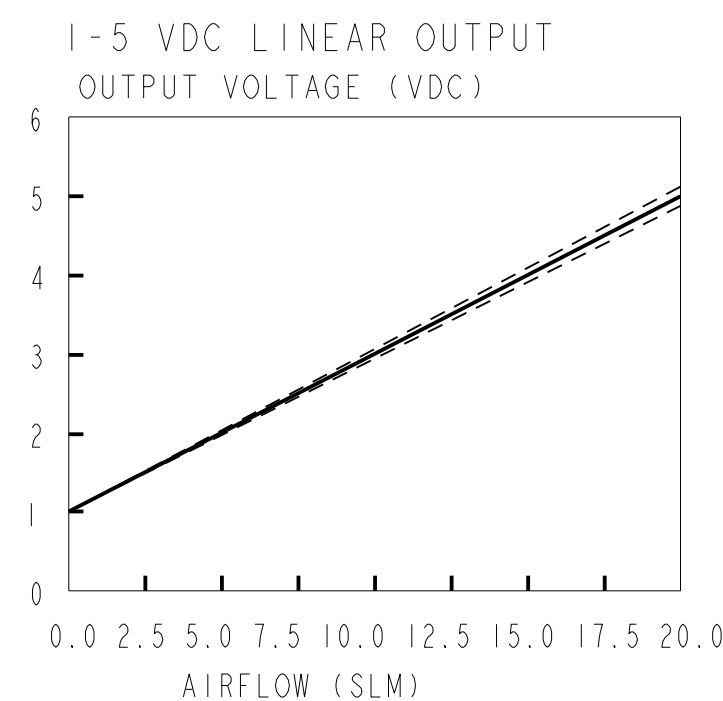
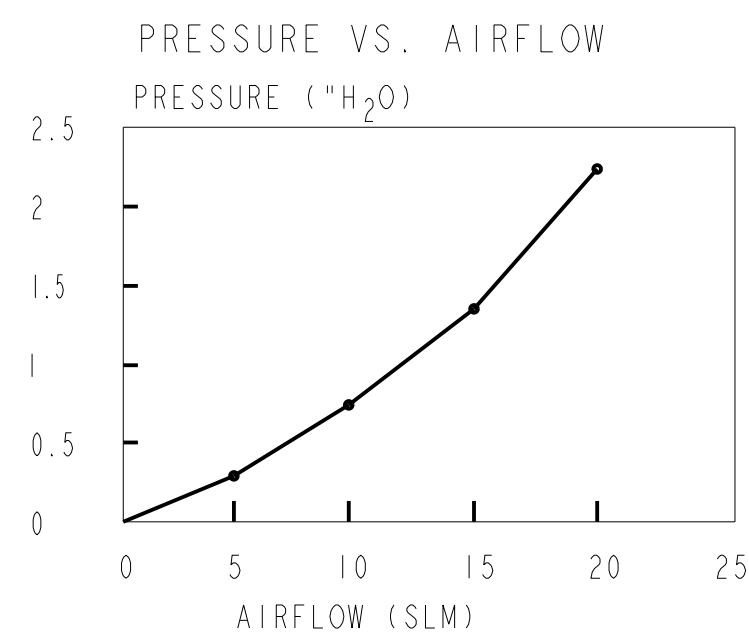
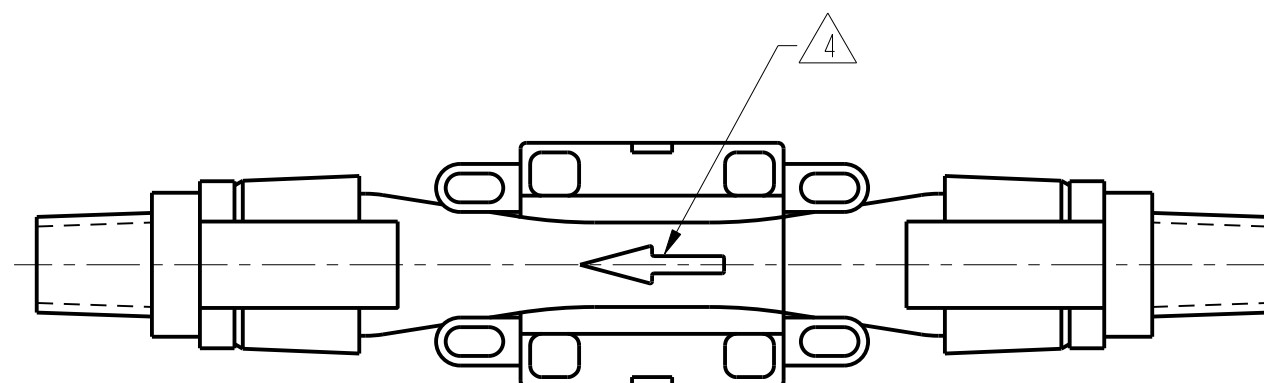


NOTES

- $\Delta 1$ CANNOT GUARANTEE CALIBRATION AT SUPPLY VOLTAGES OTHER THAN 10.00 \pm .01 VDC
- $\Delta 2$ LINEARITY SPECIFICATION APPLIES FROM 2 TO 100% FULL SCALE OF GAS FLOW RANGE, AND DOES NOT APPLY TO NULL OUTPUT AT 0 SLM *
- $\Delta 3$ SUPPLIED IN STRIP FORM. OTHER STRIP FORM RECEPTACLES ARE AVAILABLE, AS WELL AS VARIOUS TOOLS TO ASSEMBLE RECEPTACLES IN STRIP FORM. INDIVIDUAL RECEPTACLE ASSEMBLIES ARE ALSO AVAILABLE FROM AMP
- $\Delta 4$ MOLDED-IN ARROW DESIGNATES GAS FLOW DIRECTION
- * SLM DENOTES STANDARD LITERS PER MINUTE WHICH IS A FLOW MEASUREMENT REFERENCED TO STANDARD CONDITIONS OF 0°C, 760 TORR (SEA LEVEL), 50% RH
- $\Delta 5$ TEMPERATURE TRANSITIONS 1.66°C/MINUTE MAXIMUM WHILE IN OPERATION

OUTPUT CONNECTIONS

- PIN 1 + SUPPLY VOLTAGE
- PIN 2 GROUND
- PIN 3 NO CONNECTION
- PIN 4 OUTPUT VOLTAGE



\pm 3% READING
 ——— MEAN
 - - - - MIN
 - - - - MAX

THIRD ANGLE PROJECTION	
SCALE FULL	
DO NOT SCALE PRINT	
UNLESS OTHERWISE SPECIFIED TOLERANCES ARE	
ONE PLACE (.0)	\pm .030
TWO PLACES (.00)	\pm .015
THREE PLACES (.000)	\pm .005
ANGLES	\pm
WEIGHT	

THIS DRAWING COVERS A PROPRIETARY ITEM AND IS THE PROPERTY OF MICRO SWITCH, A DIVISION OF HONEYWELL. THIS DRAWING IS NOT TO BE COPIED OR USED WITHOUT THE APPROVAL OF MICRO SWITCH.

MICRO SWITCH
a Honeywell Division

MASS AIRFLOW SENSOR

AWM5104VC

FED. MFG. CODE 91929

ANSI Y14.5M-1982 APPLIES

P.T.C./CAD [20]
 DRAWN [20]
 G J W 12 MAR 01 CHECK SAV 12 MAR 01 CHECK CMH
 REVISIONS
 A 202464 16 JAN 08
 B 0027347 22 DEC 06
 C 0036560 16 JAN 08
 ISSUE 6
 DRAWING NUMBER
 AWM5104VC
 RELEASE NO. PR-20105
 REPLACES X94973-AW