

technical data

19.01.2012

reed-magnetic switch (Ex)

AC/DC 3-wire

ø13mm

ident-no.:
71424_CO
type:
Conrad-Typ: 505364

revision index: 000

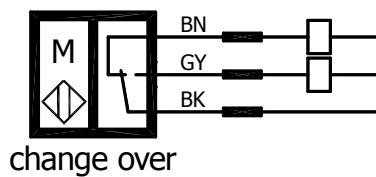
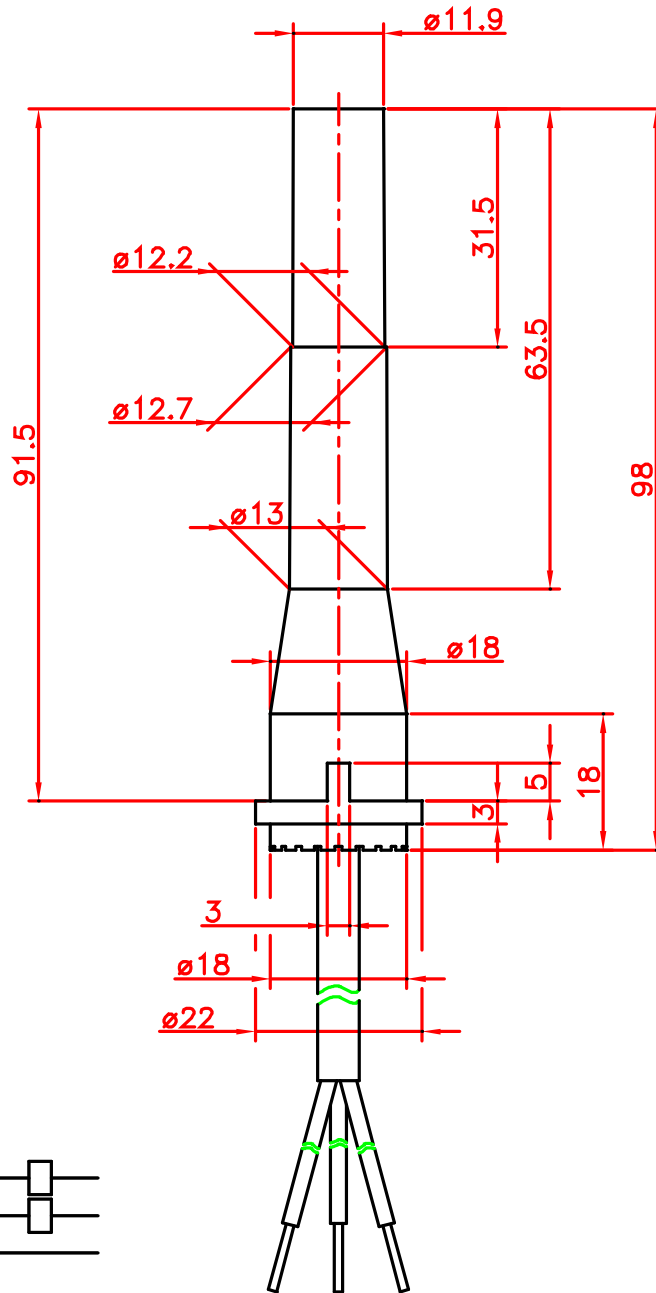
output	change over
switching capacity	max. 60 W/VA
switching voltage	250 V AC/DC
switching current	max. 1000 mA
switch on time	4,5 ms
switch off time	7,0 ms
switching frequency	max. 100 Hz
lifetime at nominal load	10 ⁵ to 10 ⁶ operations
operating temperature range	-20°C ... +60°C
degree of protection acc. to DIN 60 529	IP67
dielectric test voltage ac (rms.) Ui	1500 V
on/off indication	- - -
housing material	plastics
connection	1m PVC-cable 3 x 0,75mm ²
<p>Certification (ATEX): II 2 G Ex mb II T6 / KEMA 02ATEX1288 X</p> <p>Certification (IECEx): Ex mb II T6 / IECEx KEM 08.0009X</p> <p>Reed switches are not suitable for direct switching of lighting, power supplies, drives, etc. (the max current often exceeded during startup/when off).</p> <p>Additional coupling with protective relays use.</p>	

Applications are inadmissible when safety of persons depends on the function of the device.

SECATEC electronic GmbH reserves the right to change or discontinue these products without notice and does not assume any liability arising by use the product with non-compliance of this specifications.



II 2 G Ex mb II T6 / KEMA 02ATEX1288 X
 Ex mb II T6 / IECEx KEM 08.0009X



Schutzvermerk nach DIN 34 beachten	(Zul.Abw.) Allgemeintol. nach DIN ISO 2768-m	Oberfläche nach DIN 3141	Maßstab 1:1	(Gewicht)
	2012 Bearb. 17.01. Gepr.	Datum Name Seifer	(Werkstoff, Halbzeug) (Rohteil-Nr.) (Modell- oder Gesenk-Nr.)	
			(Benennung)	
			Magnetschalter ø13x96,5mm Umschalter	
			(Zeichnungsnummer)	Blatt
			71424_CO	Bl.
Änderungsindex	Datum	Name (Urspr.)	(Ers.f.:	(Ers.d.:

Secatec
 electronic GmbH
 Knappenstraße 154
 D-57581 Katzwinkel
 (0049)02741/9460-0
 www.secatec.de