

P.C.B Relay

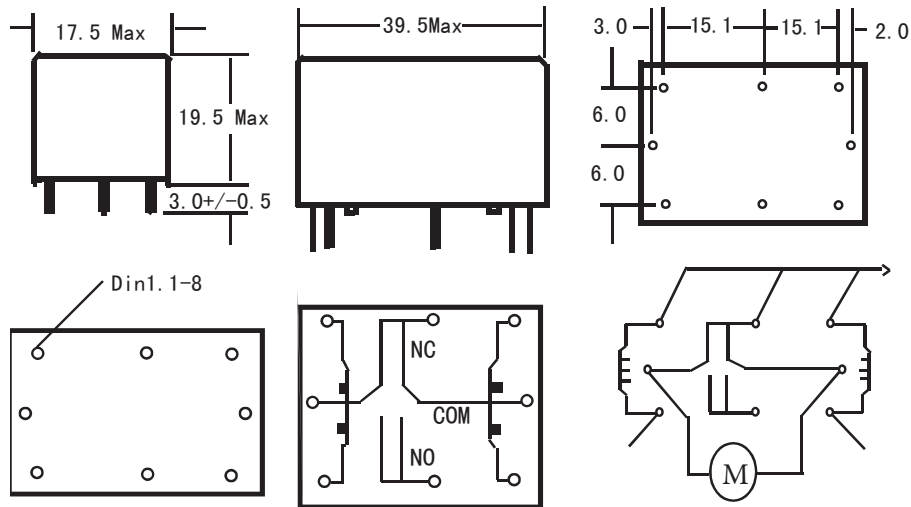
★ Coll Data:(at +25 °C)

ME20-3FF	Coil Voltage VDC	Nominal Current (mA)	Coil Resistance ohm +/- 10%	Pull in Voltage	Drop out Voltage	Max Voltage	Power Consumption
MR20	12	80	210	50%Max	7.5% Min	120%Max	0.04W

★ ORDERING CODE

MR20-3FF-DC- V 12: 12V
 V 24: 24V

★ Dimensions (unit:mm)



P.C.B Relay

MR20

★ Contact Rating

mode	MR20-3FF-DC12
Contact Capacity Resistive Load, COS Φ=1	10A/250V AC
Max.Allowable Voltage	AC 250V
Max.Allowable Current	10A
Applicable Load	500mA at 5 VDC
Contact Material	AGSN02
Contact Form	2×1 Form C

★ Performance (at initial value)

Item	MR20-3FF-DC12
Contact Resistance	100m Ω Max
Operate Time	5msec. Max
Release Time	2msec. Max
Dielestrice Strength Between Coil&Contact Between Contacts	AC 500V(1Min) AC 500V(1Min)
Max. ON/OFF Switching Mechanically Electrically	300 operation/min 30 operation/min
Operation AmbientTemperature	-30°C to +105°C
Operating Humldity	20 to 85% RH
Coil Temperature Rise ¹	30 deg. Max. (at rated coil voltage)
Vibration Endurance Error Operation	10 to 55Hz Double Amplitude 1.5 mm, 9G 10 to 55Hz Double Amplitude 1.5 mm, 12G
Shock Endurance Error Operation	100G Min. 10G Min.
Life Expectancy Mechanically Electrically	10 × 10 ⁿ (no load) 10 × 10 ⁴ (resistive load)