

## RIDERSERIES RCIKITP 24VDC 1CO LD

**Weidmüller Interface GmbH & Co. KG**  
 Klingenbergstraße 16  
 D-32758 Detmold  
 Germany  
 Fon: +49 5231 14-0  
 Fax: +49 5231 14-292083  
 www.weidmueller.com



Modular system comprised of:

- relay socket for rail mounting
- LED indicator unit
- retaining clip
- plug-in relay
- markers

### General ordering data

Order No.	<a href="#">8897110000</a>
Type	RCIKITP 24VDC 1CO LD
Version	RIDERSERIES, Relays, No. of contacts: 1, CO contact, AgNi 90/10, Rated control voltage: 24 V DC, Continuous current: 16 A <sup>(1)</sup> , PUSH IN spring connection
GTIN (EAN)	4032248646883
Qty.	10 pc(s).

**RIDERSERIES**  
**RCIKITP 24VDC 1CO LD**

**Weidmüller Interface GmbH & Co. KG**  
 Klingenbergstraße 16  
 D-32758 Detmold  
 Germany  
 Fon: +49 5231 14-0  
 Fax: +49 5231 14-292083  
 www.weidmueller.com

**Technical data**
**Ratings**

Conductor connection system	PUSH IN spring connection	Humidity	40 °C / 93 % rel. humidity, no condensation
UL 94 flammability rating	V-0		

**Dimensions and weights**

Width	15.5 mm	Height	98 mm
Depth	70 mm	Net weight	59.1 g

**Temperatures**

Operating temperature	-40 °C...+70 °C	Storage temperature	-40 °C...+70 °C
-----------------------	-----------------	---------------------	-----------------

**Connection data**

Clamping range, rated connection	1.5 mm <sup>2</sup>	Clamping range, rated connection, min.	0.75 mm <sup>2</sup>
Clamping range, rated connection, max.	1.5 mm <sup>2</sup>	Stripping length, rated connection	12 mm

**Input**

Rated control voltage	24 V DC	Rated current DC	16.7 mA
Coil resistance	1,440 Ω ±10 %	Power rating	420 mW
Pull-in (sparkover) / drop-out voltage DC coil	16.8 V / 2.4 V	Status indicator	Green LED = DC coil; red LED = AC coil

**Output**

Rated switching voltage	240 V AC	Max. switching voltage, AC	400 V
Continuous current	16 A <sup>(1)</sup>	making current	30 A / 4 s
Max. switching power	4000 VA	Sparkover time / Drop-out time	8 ms / 6 ms
Max. switching frequency at rated load	0.1 Hz		

**Contact specifications**

No. of contacts	1	Contact design	CO contact
Contact material	AgNi 90/10	Mechanical service life	AC coil 5 x 10 <sup>6</sup> Switching cycles, DC coil 10 x 10 <sup>6</sup> Switching cycles

**Insulation coordination**

Rated voltage	250 V	Clearance and creepage distances for control side - load side	≥ 8 mm
Dielectric strength for control side - load side	5 kV <sub>eff</sub> / 1min	Insulating material group	IIIa
Pollution severity	3	Surge voltage category	III

**Other technical data**

Version	without test button	Status indicator	Green LED = DC coil; red LED = AC coil
Free-wheel diode	Yes		

**RIDERSERIES  
RCIKITP 24VDC 1CO LD**

**Weidmüller Interface GmbH & Co. KG**  
 Klingenbergstraße 16  
 D-32758 Detmold  
 Germany  
 Fon: +49 5231 14-0  
 Fax: +49 5231 14-292083  
 www.weidmueller.com

**Technical data**

**Further details of approvals / standards**

Standards DIN EN 50178

**Classifications**

ETIM 3.0	EC001437	UNSPSC	30-21-19-17
eClass 5.1	27-37-16-01	eClass 6.0	27-37-16-01
eClass 7.0	27-37-16-01		

**Approvals**

Approvals



**Downloads**

Declaration of Conformity	<a href="#">K315_07_09.pdf</a>
EPLAN	<a href="#">8897110000.ema</a>
<a href="#">3-D model</a>	

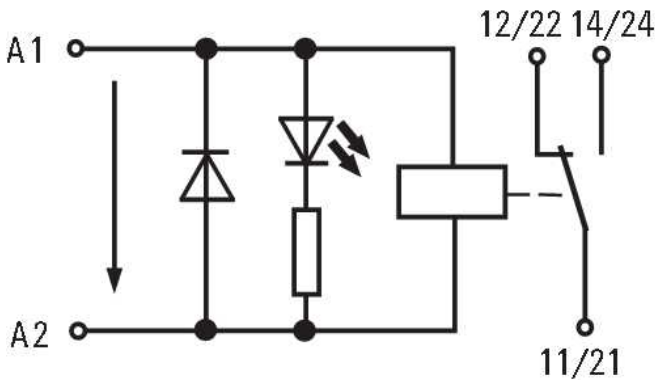
**RIDERSERIES  
RCIKITP 24VDC 1CO LD**

**Weidmüller Interface GmbH & Co. KG**  
 Klingenbergstraße 16  
 D-32758 Detmold  
 Germany  
 Fon: +49 5231 14-0  
 Fax: +49 5231 14-292083  
 www.weidmueller.com

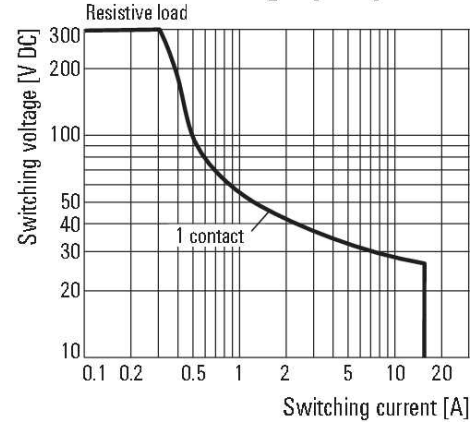
**Drawings**

**Electric symbol**

**DC-Version**

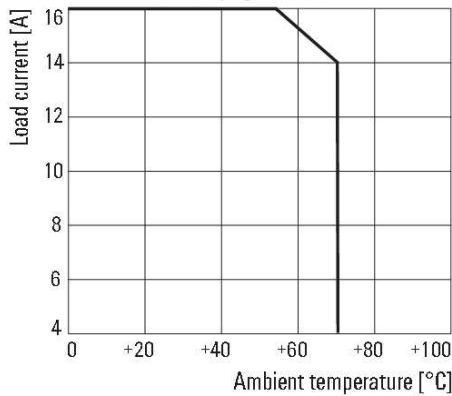


**DC load breaking capacity**

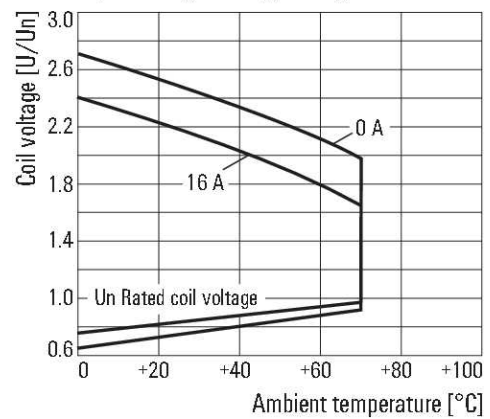


**Derating curve**

in combination with plug-in module

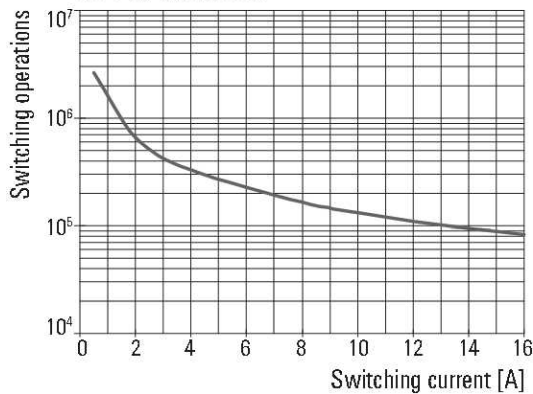


**Operating voltage range DC**



**Electrical endurance**

250 V AC Resistive load



**RIDERSERIES  
RCIKITP 24VDC 1CO LD**

**Weidmüller Interface GmbH & Co. KG**  
 Klingenbergstraße 16  
 D-32758 Detmold  
 Germany  
 Fon: +49 5231 14-0  
 Fax: +49 5231 14-292083  
 www.weidmueller.com

**Accessories**
**LED**


Pluggable protective modules for the RIDERSERIES RCI / RCM relay base, with optional protective functions.

- With either green or red LED
- For UC supply voltage

**General ordering data**

Order No.	Type	Version	GTIN (EAN)	Qty.
<a href="#">8869640000</a>	RIM-I 3 6/24VUC GN	RIDERSERIES, Accessories	4032248614585	10 pc(s).
<a href="#">8869630000</a>	RIM-I 3 6/24VUC	RIDERSERIES, Accessories	4032248614578	10 pc(s).
<a href="#">8869620000</a>	RIM-I 3 24/60VUC GN	RIDERSERIES, Accessories	4032248614561	10 pc(s).
<a href="#">8869610000</a>	RIM-I 3 24/60VUC	RIDERSERIES, Accessories	4032248614554	10 pc(s).

**Cross-connector**


Cross-connector for bridging connections in the RIDERSERIES RCI

**General ordering data**

Order No.	Type	Version	GTIN (EAN)	Qty.
<a href="#">8870840000</a>	SRC-I QV P	RIDERSERIES, Cross-connector	4032248631681	10 pc(s).
<a href="#">1132070000</a>	SRC-I QV S	RIDERSERIES, Cross-connector	4032248912087	10 pc(s).

**RIDERSERIES  
RCIKITP 24VDC 1CO LD**

**Weidmüller Interface GmbH & Co. KG**  
 Klingenbergstraße 16  
 D-32758 Detmold  
 Germany  
 Fon: +49 5231 14-0  
 Fax: +49 5231 14-292083  
 www.weidmueller.com

**Accessories**

**LED / Protective varistor**



Pluggable protective modules for the RIDERSERIES RCI / RCM relay base, with optional protective functions.

- With protective varistor
- For UC supply voltage

**General ordering data**

Order No.	Type	Version	GTIN (EAN)	Qty.
<a href="#">8869710000</a>	RIM-I 4 24VUC VAR	RIDERSERIES, Accessories	4032248606344	10 pc(s).

**LED / Freilaufdiode**



Pluggable protective modules for the RIDERSERIES RCI / RCM relay base, with optional protective functions.

- With either green or red LED
- With free-wheel diode
- For DC supply voltage

**General ordering data**

Order No.	Type	Version	GTIN (EAN)	Qty.
<a href="#">8869590000</a>	RIM-I 2 6/24VDC	RIDERSERIES, Accessories	4032248614530	10 pc(s).
<a href="#">8869670000</a>	RIM-I 2 24/60VDC	RIDERSERIES, Accessories	4032248614608	10 pc(s).
<a href="#">8869680000</a>	RIM-I 2 24/60VDC GN	RIDERSERIES, Accessories	4032248614615	10 pc(s).
<a href="#">8869600000</a>	RIM-I 2 6/24VDC GN	RIDERSERIES, Accessories	4032248614547	10 pc(s).

**Metal retaining clip**



Metal retaining clip for RIDERSERIES RCI relays

**General ordering data**

Order No.	Type	Version	GTIN (EAN)	Qty.
<a href="#">1132090000</a>	SRC-I CLIP HM RCI	RIDERSERIES, Accessories	4032248912209	20 pc(s).

**RIDERSERIES  
RCIKITP 24VDC 1CO LD**

**Weidmüller Interface GmbH & Co. KG**  
 Klingenbergstraße 16  
 D-32758 Detmold  
 Germany  
 Fon: +49 5231 14-0  
 Fax: +49 5231 14-292083  
 www.weidmueller.com

**Accessories**

**Labelling clip**

Labelling clip for marking RIDERSERIES RCI relays



**General ordering data**

Order No.	Type	Version	GTIN (EAN)	Qty.
<a href="#">8869530000</a>	SRC-I MARK	RIDERSERIES, Markers	4032248614479	10 pc(s).

**Protection module**



Pluggable protective modules for the RIDERSERIES RCI / RCM relay base, with optional protective functions.

- Optionally with free-wheel diode, load resistor or RC filter

**General ordering data**

Order No.	Type	Version	GTIN (EAN)	Qty.
<a href="#">8869580000</a>	RIM-I 1 6/230V	RIDERSERIES, Accessories	4032248614523	10 pc(s).

**with LED and free-wheel diode**



Standard relays in the RIDERSERIES RCI.

- 1 CO contact
- Relay with DC coil
- Relay with integrated status display and free-wheel diode

**General ordering data**

Order No.	Type	Version	GTIN (EAN)	Qty.
<a href="#">8870100000</a>	RCI314AC4	RIDERSERIES, Relais, No. of contacts: 1, CO contact, AgNi 90/10, Rated control voltage: 24 V DC,	4032248613472	10 pc(s).

**RIDERSERIES  
RCIKITP 24VDC 1CO LD**

**Weidmüller Interface GmbH & Co. KG**  
Klingenbergstraße 16  
D-32758 Detmold  
Germany  
Fon: +49 5231 14-0  
Fax: +49 5231 14-292083  
www.weidmueller.com

**Accessories**

Continuous current: 16 A,  
Plug-in connection

**Plastic retaining clip**

Plastic retaining clip for RIDERSERIES RCI relays

**General ordering data**

Order No.	Type	Version	GTIN (EAN)	Qty.
<a href="#">8869510000</a>	SRC-I CLIP HP	RIDERSERIES, Accessories	4032248614462	10 pc(s).