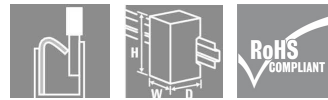


RIDERSERIES RCMKITP-I 24VDC 2CO LD

Weidmüller Interface GmbH & Co. KG
 Klingenbergstraße 16
 D-32758 Detmold
 Germany
 Fon: +49 5231 14-0
 Fax: +49 5231 14-292083
 www.weidmueller.com



Modular system comprised of:

- relay socket for rail mounting
- LED indicator unit
- retaining clip
- plug-in relay
- markers

General ordering data

Order No.	892 1080000
Type	RCMKITP-I 24VDC 2CO LD
Version	RIDERSERIES, Relays, No. of contacts: 2, CO contact with test button, AgNi 90/10, Rated control voltage: 24 V DC, Continuous current: 12 A, PUSH IN spring connection
GTIN (EAN)	4032248692309
Qty.	10 pc(s).

RIDERSERIES
RCMKITP-I 24VDC 2CO LD

Weidmüller Interface GmbH & Co. KG
 Klingenbergstraße 16
 D-32758 Detmold
 Germany
 Fon: +49 5231 14-0
 Fax: +49 5231 14-292083
 www.weidmueller.com

Technical data
Ratings

Conductor connection system	PUSH IN spring connection	Humidity	40 °C / 93 % rel. humidity, no condensation
UL 94 flammability rating	V-0		

Dimensions and weights

Width	28 mm	Height	98 mm
Depth	79 mm	Net weight	86.75 g

Temperatures

Operating temperature	-40 °C...+70 °C	Storage temperature	-40 °C...+70 °C
-----------------------	-----------------	---------------------	-----------------

Connection data

Clamping range, rated connection	1.5 mm ²	Clamping range, rated connection, min.	0.75 mm ²
Clamping range, rated connection, max.	1.5 mm ²	Stripping length, rated connection	12 mm

Input

Rated control voltage	24 V DC	Rated current DC	31.3 mA
Coil resistance	777 Ω ± 10 %	Power rating	740 mW
Pull-in (sparkover) / drop-out voltage DC coil	18.0 V / 2.4 V	Status indicator	Green LED = DC coil; red LED = AC coil

Output

Rated switching voltage	240 V AC	Max. switching voltage, AC	400 V
Continuous current	12 A	making current	24 A / 20 ms
Max. switching power	3000 VA	Sparkover time / Drop-out time	15 ms / 10 ms
Min. switching power	12 V / 10 mA	Max. switching frequency at rated load	0.1 Hz

Contact specifications

No. of contacts	2	Contact design	CO contact with test button
Contact material	AgNi 90/10	Mechanical service life	AC coil 20 x 10 ⁶ Switching cycles, DC coil 30 x 10 ⁶ Switching cycles

Insulation coordination

Rated voltage	250 V	Clearance and creepage distances for control side - load side	≥ 4 mm
Dielectric strength for control side - load side	2.5 KV _{eff} / 1 min.	Protection degree	IP 20
Insulating material group	IIIa	Pollution severity	2
Surge voltage category	III		

Other technical data

Version	with test button	Status indicator	Green LED = DC coil; red LED = AC coil
Free-wheel diode	Yes		

**RIDERSERIES
RCMKITP-I 24VDC 2CO LD**

Weidmüller Interface GmbH & Co. KG
 Klingenbergstraße 16
 D-32758 Detmold
 Germany
 Fon: +49 5231 14-0
 Fax: +49 5231 14-292083
 www.weidmueller.com

Technical data

Further details of approvals / standards

Standards DIN EN 50178

Classifications

ETIM 2.0	EC001437	ETIM 3.0	EC001437
UNSPSC	30-21-19-17	eClass 4.1	40-02-06-14
eClass 5.1	27-37-16-01	eClass 6.0	27-37-16-01
eClass 7.0	27-37-16-01		

Approvals

Approvals



Downloads

Declaration of Conformity	K318_09_09.pdf
EPLAN	8921080000.ema
3-D model	

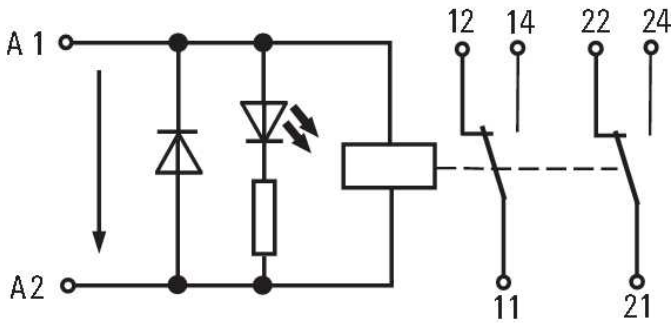
RIDERSERIES
RCMKITP-I 24VDC 2CO LD

Weidmüller Interface GmbH & Co. KG
Klingenbergstraße 16
D-32758 Detmold
Germany
Fon: +49 5231 14-0
Fax: +49 5231 14-292083
www.weidmueller.com

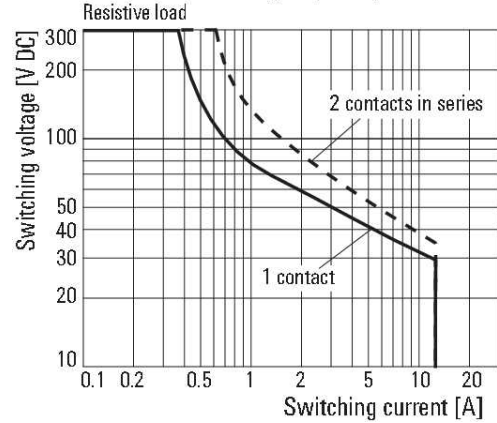
Drawings

Electric symbol

DC-Version

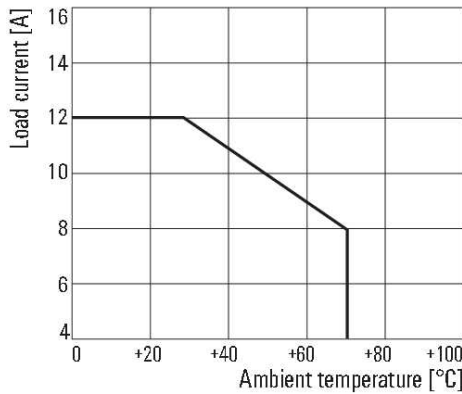


DC load breaking capacity

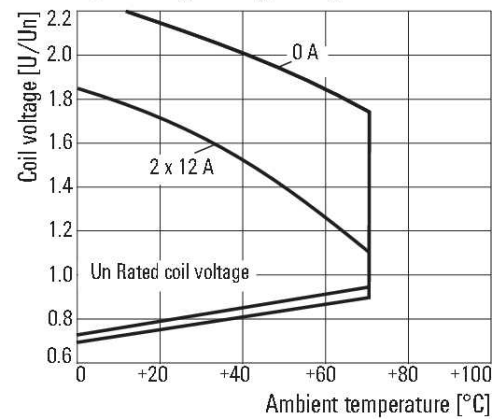


Derating curve

in combination with plug-in module

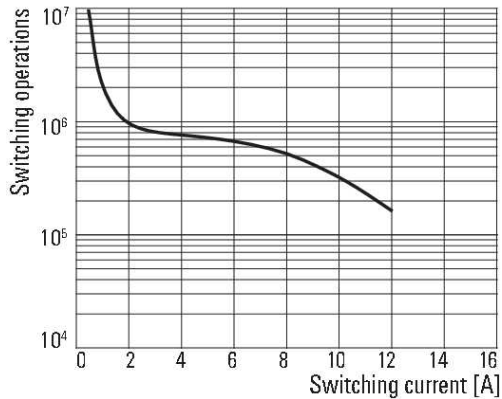


Operating voltage range DC



Electrical endurance

250 V AC Resistive load



**RIDERSERIES
RCMKITP-I 24VDC 2CO LD**

Weidmüller Interface GmbH & Co. KG
 Klingenbergstraße 16
 D-32758 Detmold
 Germany
 Fon: +49 5231 14-0
 Fax: +49 5231 14-292083
 www.weidmueller.com

Accessories
LED


Pluggable protective modules for the RIDERSERIES RCI / RCM relay base, with optional protective functions.

- With either green or red LED
- For UC supply voltage

General ordering data

Order No.	Type	Version	GTIN (EAN)	Qty.
8869640000	RIM-I 3 6/24VUC GN	RIDERSERIES, Accessories	4032248614585	10 pc(s).
8869630000	RIM-I 3 6/24VUC	RIDERSERIES, Accessories	4032248614578	10 pc(s).
8869620000	RIM-I 3 24/60VUC GN	RIDERSERIES, Accessories	4032248614561	10 pc(s).
8869610000	RIM-I 3 24/60VUC	RIDERSERIES, Accessories	4032248614554	10 pc(s).

Labelling clip


Labelling clip for marking RIDERSERIES RCM relays

General ordering data

Order No.	Type	Version	GTIN (EAN)	Qty.
8869460000	SCM-I MARK	RIDERSERIES, Markers	4032248614417	10 pc(s).

Metal retaining clip


Metal retaining clip for RIDERSERIES RCM relays

General ordering data

Order No.	Type	Version	GTIN (EAN)	Qty.
8869450000	SCM-I CLIP M	RIDERSERIES, Accessories	4032248614301	10 pc(s).

**RIDERSERIES
RCMKITP-I 24VDC 2CO LD**

Weidmüller Interface GmbH & Co. KG
 Klingenbergstraße 16
 D-32758 Detmold
 Germany
 Fon: +49 5231 14-0
 Fax: +49 5231 14-292083
 www.weidmueller.com

Accessories

LED / Protective varistor



Pluggable protective modules for the RIDERSERIES RCI / RCM relay base, with optional protective functions.

- With protective varistor
- For UC supply voltage

General ordering data

Order No.	Type	Version	GTIN (EAN)	Qty.
8869710000	RIM-I 4 24VUC VAR	RIDERSERIES, Accessories	4032248606344	10 pc(s).

Plastic retaining clip



Plastic retaining clip for RIDERSERIES RCM relays

General ordering data

Order No.	Type	Version	GTIN (EAN)	Qty.
8869440000	SCM-I CLIP P	RIDERSERIES, Accessories	4032248614295	10 pc(s).

LED / Freilaufdiode



Pluggable protective modules for the RIDERSERIES RCI / RCM relay base, with optional protective functions.

- With either green or red LED
- With free-wheel diode
- For DC supply voltage

General ordering data

Order No.	Type	Version	GTIN (EAN)	Qty.
8869590000	RIM-I 2 6/24VDC	RIDERSERIES, Accessories	4032248614530	10 pc(s).
8869670000	RIM-I 2 24/60VDC	RIDERSERIES, Accessories	4032248614608	10 pc(s).
8869680000	RIM-I 2 24/60VDC GN	RIDERSERIES, Accessories	4032248614615	10 pc(s).
8869600000	RIM-I 2 6/24VDC GN	RIDERSERIES, Accessories	4032248614547	10 pc(s).

**RIDERSERIES
RCMKITP-I 24VDC 2CO LD**

Weidmüller Interface GmbH & Co. KG
 Klingenbergstraße 16
 D-32758 Detmold
 Germany
 Fon: +49 5231 14-0
 Fax: +49 5231 14-292083
 www.weidmueller.com

Accessories
Base


Relay base for RIDERSERIES RCM relays

- 2, 3 and 4 CO contacts
- Screw and PUSH IN wire connection
- Standard and low heights

General ordering data

Order No.	Type	Version	GTIN (EAN)	Qty.
8869390000	SCM-I 4CO N	RIDERSERIES, Accessories,	4032248614257	10 pc(s).
		Continuous current: 6 A, Screw connection		
8869420000	SCM-I 4CO	RIDERSERIES, Accessories,	4032248614271	10 pc(s).
		Continuous current: 6 A, Screw connection		
8869430000	SCM-I 4CO P	RIDERSERIES, Accessories,	4032248614288	10 pc(s).
		Continuous current: 6 A, PUSH IN spring connection		
8869400000	SCM-I 2CO	RIDERSERIES, Accessories,	4032248614264	10 pc(s).
		Continuous current: 12 A, Screw connection		

Protection module


Pluggable protective modules for the RIDERSERIES RCI / RCM relay base, with optional protective functions.

- Optionally with free-wheel diode, load resistor or RC filter

General ordering data

Order No.	Type	Version	GTIN (EAN)	Qty.
8869580000	RIM-I 1 6/230V	RIDERSERIES, Accessories	4032248614523	10 pc(s).

**RIDERSERIES
RCMKITP-I 24VDC 2CO LD**

Weidmüller Interface GmbH & Co. KG
 Klingenbergstraße 16
 D-32758 Detmold
 Germany
 Fon: +49 5231 14-0
 Fax: +49 5231 14-292083
 www.weidmueller.com

Accessories

Cross-connector



Cross-connector for bridging connections in the RIDERSERIES RCM

General ordering data

Order No.	Type	Version	GTIN (EAN)	Qty.
8870850000	SCM-I QV P	RIDERSERIES, Cross-connector	4032248631698	10 pc(s).
1132080000	SCM-I QV S	RIDERSERIES, Cross-connector	4032248912193	10 pc(s).