

TERMOPTO TOP 230VAC/48VDC 0,1A

Weidmüller Interface GmbH & Co. KG
 Klingenbergstraße 16
 D-32758 Detmold
 Germany
 Fon: +49 5231 14-0
 Fax: +49 5231 14-292083
 www.weidmueller.com



TERMOPTO solid-state relay 5 to 48 VDC 0.1 A output version,

with AC or DC input, available in different versions:

- With PUSH IN connection
- In 6.1 mm width
- With various input protection circuits (free-wheel diode, varistor)
- Pluggable cross-connections
- Enclosed design

General ordering data

Order No.	8950890000
Type	TOP 230VAC/48VDC 0,1A
Version	TERMOPTO, Solid-state relay, Rated control voltage: 230 V AC +10 % / -20 % , Rated switching voltage: 5...48 V DC, Rated switching current: 100 mA, PUSH IN spring connection
GTIN (EAN)	4032248742264
Qty.	10 pc(s).

TERMOPTO
TOP 230VAC/48VDC 0,1A

Weidmüller Interface GmbH & Co. KG
 Klingenbergstraße 16
 D-32758 Detmold
 Germany
 Fon: +49 5231 14-0
 Fax: +49 5231 14-292083
 www.weidmueller.com

Technical data
Dimensions and weights

Width	6.1 mm	Height	79.5 mm
Depth	55 mm	Net weight	19.6 g

Temperatures

Operating temperature	-20 °C...+60 °C	Storage temperature	-40 °C...+80 °C
-----------------------	-----------------	---------------------	-----------------

Probability of failure

MTTF	2,500 Years
------	-------------

Connection data

Clamping range, rated connection	1.5 mm ²	Clamping range, rated connection, min.	0.5 mm ²
Clamping range, rated connection, max.	2.5 mm ²	Stripping length, rated connection	10 mm

Control side

Rated control voltage	230 V AC +10 % / -20 %	Nominal control current	1.75 mA AC
Power rating	≤ 0.4 VA	Input frequency	< 10 Hz
Cut-in (switch-on) voltage	≥ 207 V AC	Dropout voltage	≤ 69 V AC
Protective circuit, control side	Varistor	Status display on control side	Green LED

Load side

Rated switching voltage	5...48 V DC	Continuous current	100 mA
Rated switching current	100 mA	Switch-on delay	< 12 ms
Switch-off delay	< 14 ms	Load category	DC1
Leakage current	< 10 µA	Protective circuit, load side	Integrated free-wheel diode
Voltage drop at max. load	< 1 V	Load side status indicator	No
Short-circuit-proof	No		

General data

Solid-state type	Transistor	No. of poles	1
Conductor connection system	PUSH IN spring connection	Humidity	5...95 % rel. humidity T _u = 40 °C, no condensation
UL 94 flammability rating	V-0	Standards	DIN EN 50178, IEC 62314, UL508

Insulation coordination

Rated voltage	300 V	Clearance and creepage distances for control side - load side	> 3 mm
Impulse withstand voltage	4 kV (1.2/50 µs)	Pollution severity	2
Surge voltage category	III		

Further details of approvals

Standards	DIN EN 50178, IEC 62314, UL508
-----------	--------------------------------

Data sheet...**TERMOPTO**
TOP 230VAC/48VDC 0,1A**Weidmüller Interface GmbH & Co. KG**
Klingenbergstraße 16
D-32758 Detmold
Germany
Fon: +49 5231 14-0
Fax: +49 5231 14-292083
www.weidmueller.com**Technical data****Classifications**

ETIM 3.0	EC001504	eClass 5.1	27-27-09-90
eClass 6.0	27-27-09-90	eClass 7.0	27-27-09-90

Approvals

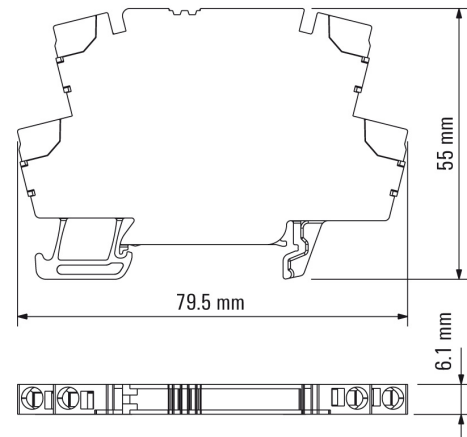
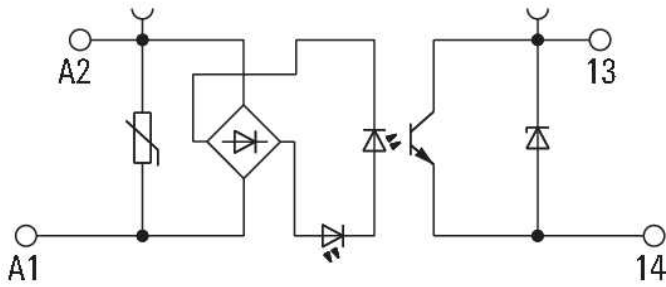
Approvals

**Downloads**

Declaration of Conformity	K305_02_11.pdf
EPLAN	8950890000.ema
3-D model	

**TERMOPTO
TOP 230VAC/48VDC 0,1A**

Weidmüller Interface GmbH & Co. KG
Klingenbergstraße 16
D-32758 Detmold
Germany
Fon: +49 5231 14-0
Fax: +49 5231 14-292083
www.weidmueller.com

Drawings**Electric symbol****24...230 V AC**

**TERMOPTO
TOP 230VAC/48VDC 0,1A**

Weidmüller Interface GmbH & Co. KG
 Klingenbergstraße 16
 D-32758 Detmold
 Germany
 Fon: +49 5231 14-0
 Fax: +49 5231 14-292083
 www.weidmueller.com

Accessories**Blank**

WS markers are the perfect match for the connectors of the W series. But thanks to their system compatibility the WS tags can also be used with the I series and the Z series. The large areas for printing permit not only long character strings but also multiple lines.

WS markers are ideal for labels with long, bespoke character strings. The tried-and-tested MultiCard format means that printing can be carried out with **laser** printers, **PrintJet, plotters** or the **MC-Mobilo**.

- Can be fitted in strips or singly
- Markers in proven multicard format

General ordering data

Order No.	Type	Version	GTIN (EAN)	Qty.
1609900000	WS 12/6 MC NE WS	Terminal markers, MultiCard, 12 x 6 mm, Polyamide, Colour: White	4008190203467	600 pc(s).

ZQV 4N

Weidmüller offers users of modular terminals of the Z-Series a comprehensive range of accessories that render possible appropriate solutions for all - even non-standard - tasks.

The accessories must comply with the same quality standards as the modular terminals themselves.

General ordering data

Order No.	Type	Version	GTIN (EAN)	Qty.
1793960000	ZQV 4N/2 BL	Z-series, Accessories, Cross-connector, For the terminals, No. of poles: 2	4032248233755	60 pc(s).
1758250000	ZQV 4N/2 GE	Z-series, Accessories, Cross-connector, For the terminals, No. of poles: 2	4032248169795	60 pc(s).
1794060000	ZQV 4N/10 SW	Z-series, Accessories, Cross-connector, For the terminals, No. of poles: 10	4032248234059	20 pc(s).
1793970000	ZQV 4N/2 SW	Z-series, Accessories, Cross-connector, For the terminals, No. of poles: 2	4032248233762	60 pc(s).
1762630000	ZQV 4N/3 GE	Z-series, Accessories, Cross-connector, For the terminals, No. of poles: 3	4032248169788	60 pc(s).
1794010000	ZQV 4N/4 RT	Z-series, Accessories, Cross-connector, For the terminals, No. of poles: 4	4032248233809	60 pc(s).

**TERMOPTO
TOP 230VAC/48VDC 0,1A**

Weidmüller Interface GmbH & Co. KG
 Klingenbergstraße 16
 D-32758 Detmold
 Germany
 Fon: +49 5231 14-0
 Fax: +49 5231 14-292083
 www.weidmueller.com

Accessories

179400000 ZQV 4N/3 SW	Z-series, Accessories, Cross-connector, For the terminals, No. of poles: 3	4032248233793 60 pc(s).
179404000 ZQV 4N/10 RT	Z-series, Accessories, Cross-connector, For the terminals, No. of poles: 10	4032248234004 20 pc(s).
179402000 ZQV 4N/4 BL	Z-series, Accessories, Cross-connector, For the terminals, No. of poles: 4	4032248233816 60 pc(s).
179405000 ZQV 4N/10 BL	Z-series, Accessories, Cross-connector, For the terminals, No. of poles: 10	4032248234011 20 pc(s).
179399000 ZQV 4N/3 BL	Z-series, Accessories, Cross-connector, For the terminals, No. of poles: 3	4032248233786 60 pc(s).
179403000 ZQV 4N/4 SW	Z-series, Accessories, Cross-connector, For the terminals, No. of poles: 4	4032248233915 60 pc(s).
176262000 ZQV 4N/4 GE	Z-series, Accessories, Cross-connector, For the terminals, No. of poles: 4	4032248169771 60 pc(s).
175826000 ZQV 4N/10 GE	Z-series, Accessories, Cross-connector, For the terminals, No. of poles: 10	4032248169764 20 pc(s).
179395000 ZQV 4N/2 RT	Z-series, Accessories, Cross-connector, For the terminals, No. of poles: 2	4032248233748 60 pc(s).
179398000 ZQV 4N/3 RT	Z-series, Accessories, Cross-connector, For the terminals, No. of poles: 3	4032248233779 60 pc(s).

Screwdrivers

Always the right tools:

Weidmüller screwdrivers are the result of a consistent grip concept which takes into account both the human hand and the different requirements when working. The right blade for every screw - with four different handle sizes

The advantages are obvious:

- User-friendly: ergonomic handle arrangement for effortless working progress
- Optimised connections: compatible blade and perfect handle size for maximum torque
- Reliable: even easier operation for even quicker wiring

The result: efficient, professional working progress.

General ordering data

Order No.	Type	Version	GTIN (EAN)	Qty.
900833000	SDS 0.6X3.5X100	Screwdriver, Blade width (B): 3.5 mm, Blade length:	4032248056286	1 pc(s).

**TERMOPTO
TOP 230VAC/48VDC 0,1A**

Weidmüller Interface GmbH & Co. KG
Klingenbergstraße 16
D-32758 Detmold
Germany
Fon: +49 5231 14-0
Fax: +49 5231 14-292083
www.weidmueller.com

Accessories

100 mm, Blade thickness
(A): 0.6 mm
