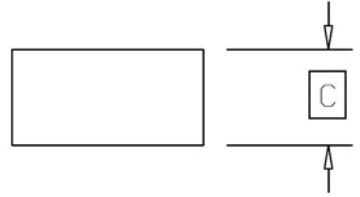
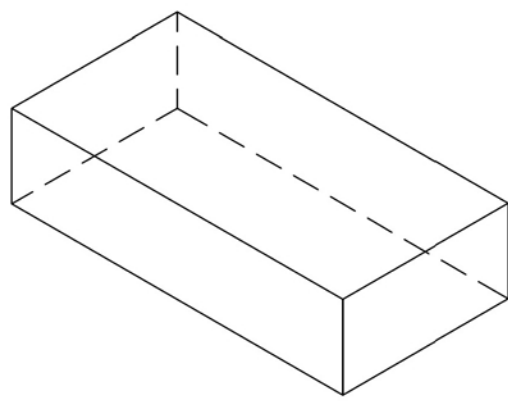
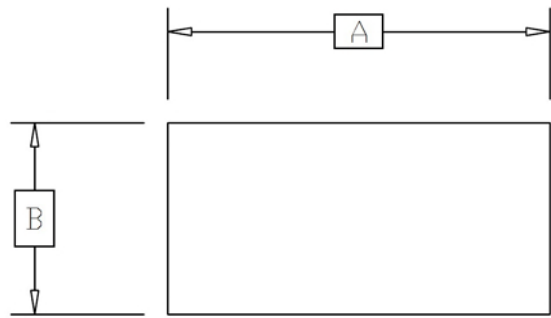


TAB		
P/N	DIM "A" (W)	DIM "B" (L)
-001	2	10
-002	2	5
-003	2	2
-004	5	20
-005	5	10
-006	5	5
-007	5	2
-008	10	10
-009	10	5
-010	10	2
-011	20	10
-012	20	5
-013	20	2

- Note:
1. Specification  
 Neodymium Iron Boron Magnet  
 Grade: N35  
 Remanence Br: 11.8-12.4kGs  
 Coercivity bHc: >=10.9kOe  
 Intrinsic Coercivity iHc: >=12kOe  
 Max. Energy Product BH max: 33-37MGJm<sup>3</sup>  
 Max. Operating Temperature: 80 degree C
  2. Unit in mm
  3. R0.3-0.5mm
  4. All +/-0.1mm unless otherwise specified

UNLESS OTHERWISE SPECIFIED DIMENSIONS ARE METRIC. TOLERANCES ARE: FRACTIONS DECIMALS ± .X ±0.1 .XX ±0.01 DO NOT SCALE DRAWING	APPROVALS	DATE		Distributor: Conrad Electronic SE D - 92242 Hirschau <a href="http://www.conrad.com">www.conrad.com</a> <a href="http://www.conrad.biz">www.conrad.biz</a> <a href="http://www.conrad.de">www.conrad.de</a>	
	DRAWN Calvin Tang	21/01/11			TITLE NdFeB-Magnet Zylinder N35
	TREATMENT	ENGINEER		SIZE	DWG NO. 20110121-01-TAB
	FINISH	CHECKED		SCALE: NONE	REV 0
SIMILAR TO	MARKING SYMBOL	ISSUED		20110121-01.dwg	SHEET 1 OF 3



TAB			
P/N	DIM "A" (W)	DIM "B" (L)	DIM "C" (H)
-001	2	2	2
-002	5	5	5
-003	10	5	5
-004	10	10	5
-005	10	10	10
-006	20	5	5
-007	20	10	5
-008	20	10	10
-009	20	20	5
-010	20	20	10
-011	20	20	20

Note:

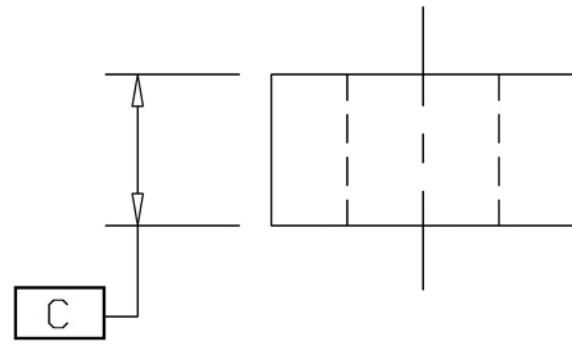
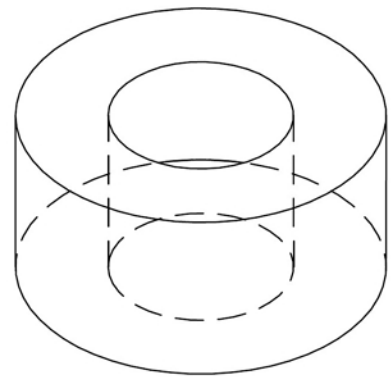
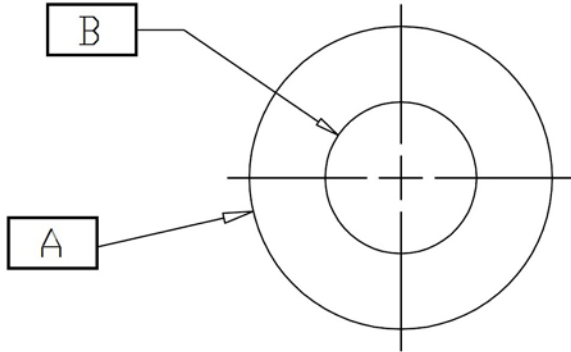
1. Specification

Neodymium Iron Boron Magnet  
 Grade: N35  
 Remanence Br: 11.8-12.4kGs  
 Coercivity bHc: >=10.9kOe  
 Intrinsic Coercivity iHc: >=12kOe  
 Max. Energy Product BH max: 33-37MG Oe  
 Max. Operating Temperature: 80 degree C

- 2. Unit in mm
- 3. R0.3-0.5mm
- 4. All +/-0.1mm unless otherwise specified

UNLESS OTHERWISE SPECIFIED DIMENSIONS ARE METRIC. TOLERANCES ARE: FRACTIONS DECIMALS ± .X ±0.1 .XX ±0.01 DO NOT SCALE DRAWING	APPROVALS		DATE		Distributor: Conrad Electronic SE D - 92242 Hirschau www.conrad.com www.conrad.biz www.conrad.de
	DRAWN Calvin Tang		21/01/11		
	ENGINEER				NdFeB-Magnet Rechteck N35 
	CHECKED				
FINISH		APPROVED		SIZE	DWG NO.
SIMILAR TO		ISSUED		20110121-01-TAB	
MARKING SYMBOL				SCALE: NONE	20110121-01.dwg
					REV. 0
					SHEET 2 OF 3

TAB			
P/N	DIM "A" (OD)	DIM "B" (ID)	DIM "C" (H)
-001	10	5	10
-002	10	5	5
-003	10	5	2
-004	20	10	10
-005	20	10	5
-006	20	10	2



Note:

1. Specification  
 Neodymium Iron Boron Magnet  
 Grade: N35  
 Remanence Br: 11.8-12.4kGs  
 Coercivity bHc: >=10.9kOe  
 Intrinsic Coercivity iHc: >=12kOe  
 Max. Energy Product BH max: 33-37MG Oe  
 Max. Operating Temperature: 80 degree C

2. Unit in mm
3. R0.3-0.5mm
4. All +/-0.1mm unless otherwise specified

UNLESS OTHERWISE SPECIFIED DIMENSIONS ARE METRIC. TOLERANCES ARE: FRACTIONS DECIMALS ± .X ±0.1 .XX ±0.01 DO NOT SCALE DRAWING	APPROVALS	DATE	Distributor: Conrad Electronic SE D - 92242 Hirschau www.conrad.com www.conrad.biz www.conrad.de	THIRD ANGLE 	
	DRAWN Calvin Tang	21/01/11			TITLE NdFeB-Magnet Ring N35
	TREATMENT	CHECKED	SIZE	DWG NO. 20110121-01-TAB	REV 0
	FINISH	APPROVED	ISSUED	SCALE: NONE	20110121-01.dwg
SIMILAR TO	MARKING SYMBOL				