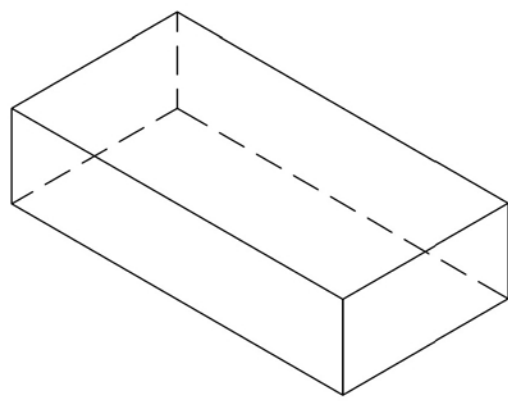
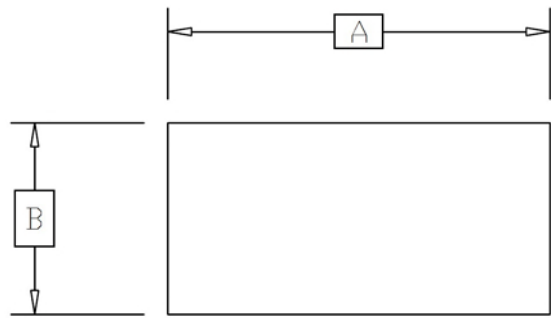


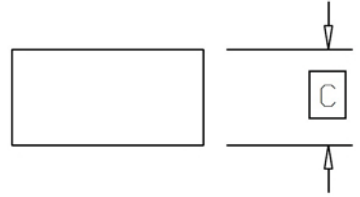
| TAB  |             |             |
|------|-------------|-------------|
| P/N  | DIM "A" (W) | DIM "B" (L) |
| -001 | 2           | 10          |
| -002 | 2           | 5           |
| -003 | 2           | 2           |
| -004 | 5           | 20          |
| -005 | 5           | 10          |
| -006 | 5           | 5           |
| -007 | 5           | 2           |
| -008 | 10          | 10          |
| -009 | 10          | 5           |
| -010 | 10          | 2           |
| -011 | 20          | 10          |
| -012 | 20          | 5           |
| -013 | 20          | 2           |

- Note:
1. Specification  
 Neodymium Iron Boron Magnet  
 Grade: N35  
 Remanence Br: 11.8-12.4kGs  
 Coercivity bHc: >=10.9kOe  
 Intrinsic Coercivity iHc: >=12kOe  
 Max. Energy Product BH max: 33-37MGJm<sup>3</sup>  
 Max. Operating Temperature: 80 degree C
  2. Unit in mm
  3. R0.3-0.5mm
  4. All +/-0.1mm unless otherwise specified

|   |                      |          |  |  |                                       |
|---|----------------------|----------|--|--|---------------------------------------|
| UNLESS OTHERWISE SPECIFIED<br>DIMENSIONS ARE METRIC.<br>TOLERANCES ARE:<br>FRACTIONS DECIMALS<br>± .X ±0.1<br>.XX ±0.01<br>DO NOT SCALE DRAWING | APPROVALS            | DATE     |  | Distributor:<br>Conrad Electronic SE<br>D - 92242 Hirschau<br><a href="http://www.conrad.com">www.conrad.com</a><br><a href="http://www.conrad.biz">www.conrad.biz</a><br><a href="http://www.conrad.de">www.conrad.de</a> |                                       |
|   | DRAWN<br>Calvin Tang | 21/01/11 |  |  | TITLE<br>NdFeB-Magnet<br>Zylinder N35 |
|   | TREATMENT            | ENGINEER |  | SIZE   | DWG NO.<br>20110121-01-TAB            |
|   | FINISH               | CHECKED  |  | SCALE: NONE  | REV<br>0                              |
| SIMILAR TO  | MARKING SYMBOL       | ISSUED   |  | 20110121-01.dwg  | SHEET 1 OF 3                          |



| TAB  |             |             |             |
|------|-------------|-------------|-------------|
| P/N  | DIM "A" (W) | DIM "B" (L) | DIM "C" (H) |
| -001 | 2           | 2           | 2           |
| -002 | 5           | 5           | 5           |
| -003 | 10          | 5           | 5           |
| -004 | 10          | 10          | 5           |
| -005 | 10          | 10          | 10          |
| -006 | 20          | 5           | 5           |
| -007 | 20          | 10          | 5           |
| -008 | 20          | 10          | 10          |
| -009 | 20          | 20          | 5           |
| -010 | 20          | 20          | 10          |
| -011 | 20          | 20          | 20          |



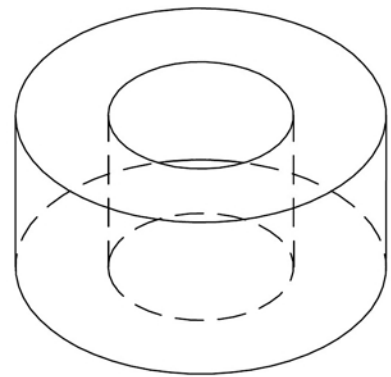
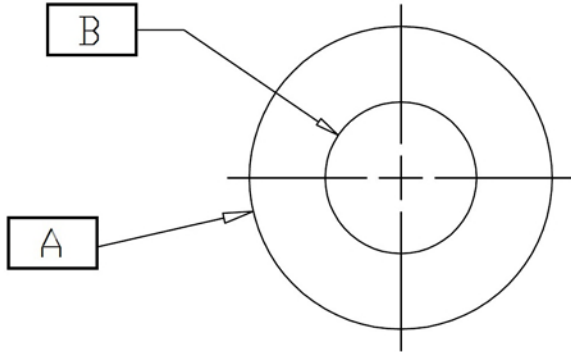
Note:

1. Specification

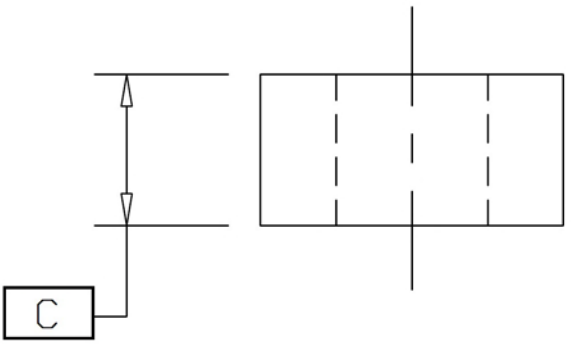
Neodymium Iron Boron Magnet  
 Grade: N35  
 Remanence Br: 11.8-12.4kGs  
 Coercivity bHc: >=10.9kOe  
 Intrinsic Coercivity iHc: >=12kOe  
 Max. Energy Product BH max: 33-37MG Oe  
 Max. Operating Temperature: 80 degree C

2. Unit in mm  
 3. R0.3-0.5mm  
 4. All +/-0.1mm unless otherwise specified

|   |                   |  |                 |   |                              |
|---|-------------------|--|-----------------|---|------------------------------|
| UNLESS OTHERWISE SPECIFIED<br>DIMENSIONS ARE METRIC.<br>TOLERANCES ARE:<br>FRACTIONS DECIMALS<br>± .X ±0.1<br>.XX ±0.01<br>DO NOT SCALE DRAWING | APPROVALS         |  | DATE            | Distributor:<br>Conrad Electronic SE<br>D - 92242 Hirschau<br>www.conrad.com<br>www.conrad.biz<br>www.conrad.de | THIRD ANGLE<br>              |
|   | DRAWN Calvin Tang |  | 21/01/11        |   |                              |
|   | ENGINEER          |  |                 |   | NdFeB-Magnet<br>Rechteck N35 |
|   | CHECKED           |  |                 |   |                              |
| FINISH  | APPROVED          |  |                 | SIZE DWG NO.  | REV                          |
| SIMILAR TO MARKING SYMBOL   | ISSUED            |  |                 | 20110121-01-TAB   | 0                            |
| SCALE: NONE   |                   |  | 20110121-01.dwg |   | SHEET 2 OF 3                 |



| TAB  |              |              |             |
|------|--------------|--------------|-------------|
| P/N  | DIM "A" (OD) | DIM "B" (ID) | DIM "C" (H) |
| -001 | 10           | 5            | 10          |
| -002 | 10           | 5            | 5           |
| -003 | 10           | 5            | 2           |
| -004 | 20           | 10           | 10          |
| -005 | 20           | 10           | 5           |
| -006 | 20           | 10           | 2           |



Note:  
 1. Specification  
 Neodymium Iron Boron Magnet  
 Grade: N35  
 Remanence Br: 11.8-12.4kGs  
 Coercivity bHc: >=10.9kOe  
 Intrinsic Coercivity iHc: >=12kOe  
 Max. Energy Product BH max: 33-37MG Oe  
 Max. Operating Temperature: 80 degree C

- 2. Unit in mm
- 3. R0.3-0.5mm
- 4. All +/-0.1mm unless otherwise specified

|   |                |             |             |                                 |  |
|---|----------------|-------------|-------------|---------------------------------|--|
| UNLESS OTHERWISE SPECIFIED<br>DIMENSIONS ARE METRIC.<br>TOLERANCES ARE:<br>FRACTIONS DECIMALS<br>± .X ±0.1<br>.XX ±0.01<br>DO NOT SCALE DRAWING | APPROVALS      |             | DATE        |                                 | Distributor:<br>Conrad Electronic SE<br>D - 92242 Hirschau<br><a href="http://www.conrad.com">www.conrad.com</a><br><a href="http://www.conrad.biz">www.conrad.biz</a><br><a href="http://www.conrad.de">www.conrad.de</a> |
|   | DRAWN          | Calvin Tang | 21/01/11    |                                 |  |
|   | TREATMENT      | ENGINEER    |             |                                 | TITLE<br>NdFeB-Magnet<br>Ring N35<br>  |
|   | FINISH         | CHECKED     |             |                                 |  |
| SIMILAR TO  | MARKING SYMBOL | ISSUED      |             | SIZE DWG NO.<br>20110121-01-TAB | REV<br>0   |
|   |                |             | SCALE: NONE | 20110121-01.dwg                 | SHEET 3 OF 3   |