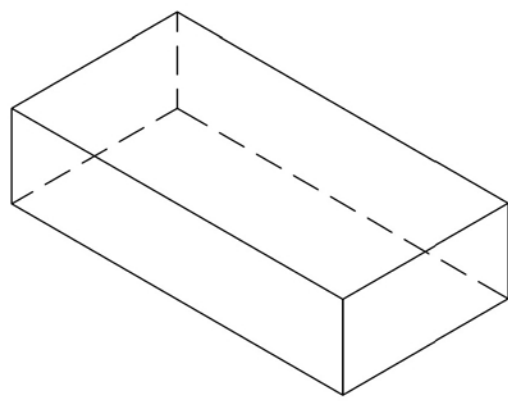
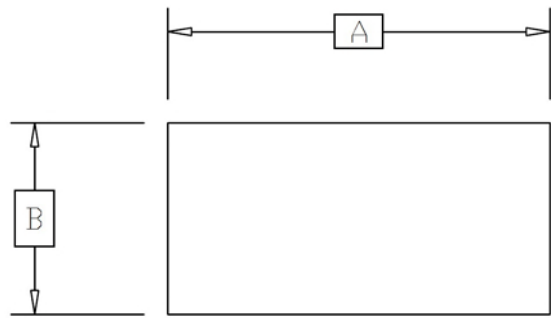


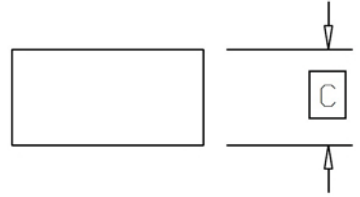
TAB		
P/N	DIM "A" (W)	DIM "B" (L)
-001	2	10
-002	2	5
-003	2	2
-004	5	20
-005	5	10
-006	5	5
-007	5	2
-008	10	10
-009	10	5
-010	10	2
-011	20	10
-012	20	5
-013	20	2

- Note:
1. Specification
 Neodymium Iron Boron Magnet
 Grade: N35
 Remanence Br: 11.8-12.4kGs
 Coercivity bHc: >=10.9kOe
 Intrinsic Coercivity iHc: >=12kOe
 Max. Energy Product BH max: 33-37MGJm⁻³
 Max. Operating Temperature: 80 degree C
 2. Unit in mm
 3. R0.3-0.5mm
 4. All +/-0.1mm unless otherwise specified

UNLESS OTHERWISE SPECIFIED DIMENSIONS ARE METRIC. TOLERANCES ARE: FRACTIONS DECIMALS ± .X ±0.1 .XX ±0.01 DO NOT SCALE DRAWING	APPROVALS	DATE		Distributor: Conrad Electronic SE D - 92242 Hirschau www.conrad.com www.conrad.biz www.conrad.de	
	DRAWN Calvin Tang	21/01/11			TITLE NdFeB-Magnet Zylinder N35
	TREATMENT	CHECKED		SIZE	DWG NO. 20110121-01-TAB
	FINISH	APPROVED		SCALE: NONE	REV 0
SIMILAR TO	MARKING SYMBOL	ISSUED		20110121-01.dwg	SHEET 1 OF 3



TAB			
P/N	DIM "A" (W)	DIM "B" (L)	DIM "C" (H)
-001	2	2	2
-002	5	5	5
-003	10	5	5
-004	10	10	5
-005	10	10	10
-006	20	5	5
-007	20	10	5
-008	20	10	10
-009	20	20	5
-010	20	20	10
-011	20	20	20



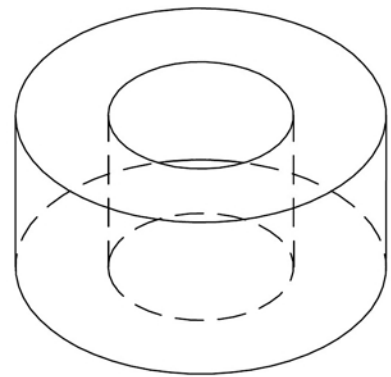
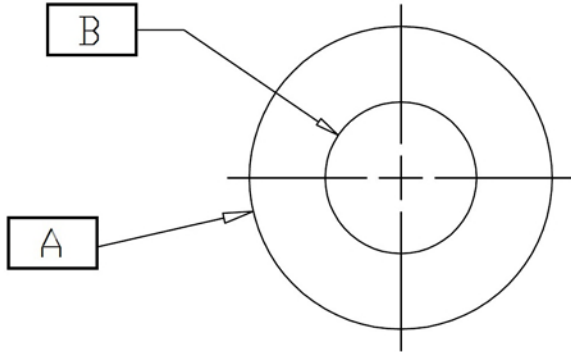
Note:

1. Specification

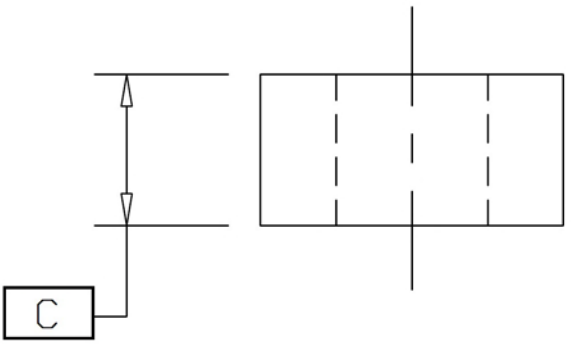
Neodymium Iron Boron Magnet
 Grade: N35
 Remanence Br: 11.8-12.4kGs
 Coercivity bHc: >=10.9kOe
 Intrinsic Coercivity iHc: >=12kOe
 Max. Energy Product BH max: 33-37MG Oe
 Max. Operating Temperature: 80 degree C

- 2. Unit in mm
- 3. R0.3-0.5mm
- 4. All +/-0.1mm unless otherwise specified

UNLESS OTHERWISE SPECIFIED DIMENSIONS ARE METRIC. TOLERANCES ARE: FRACTIONS DECIMALS ± .X ±0.1 .XX ±0.01 DO NOT SCALE DRAWING	APPROVALS		DATE	Distributor: Conrad Electronic SE D - 92242 Hirschau www.conrad.com www.conrad.biz www.conrad.de	THIRD ANGLE 	
	DRAWN Calvin Tang		21/01/11			
	ENGINEER			TITLE NdFeB-Magnet Rechteck N35		
	CHECKED					
FINISH		APPROVED		SIZE	DWG NO.	REV
SIMILAR TO		MARKING SYMBOL	ISSUED		20110121-01-TAB	0
				SCALE: NONE	20110121-01.dwg	SHEET 2 OF 3



TAB			
P/N	DIM "A" (OD)	DIM "B" (ID)	DIM "C" (H)
-001	10	5	10
-002	10	5	5
-003	10	5	2
-004	20	10	10
-005	20	10	5
-006	20	10	2



Note:
 1. Specification
 Neodymium Iron Boron Magnet
 Grade: N35
 Remanence Br: 11.8-12.4kGs
 Coercivity bHc: >=10.9kOe
 Intrinsic Coercivity iHc: >=12kOe
 Max. Energy Product BH max: 33-37MG Oe
 Max. Operating Temperature: 80 degree C

- 2. Unit in mm
- 3. R0.3-0.5mm
- 4. All +/-0.1mm unless otherwise specified

UNLESS OTHERWISE SPECIFIED DIMENSIONS ARE METRIC. TOLERANCES ARE: FRACTIONS DECIMALS ± .X ±0.1 .XX ±0.01 DO NOT SCALE DRAWING	APPROVALS	DATE	Distributor: Conrad Electronic SE D - 92242 Hirschau www.conrad.com www.conrad.biz www.conrad.de	THIRD ANGLE 	
	DRAWN Calvin Tang	21/01/11			TITLE NdFeB-Magnet Ring N35
	TREATMENT	CHECKED	SIZE	DWG NO. 20110121-01-TAB	REV 0
	FINISH	APPROVED	ISSUED	SCALE: NONE	20110121-01.dwg