

Electromagnets

Permanent Electromagnets

Sealed

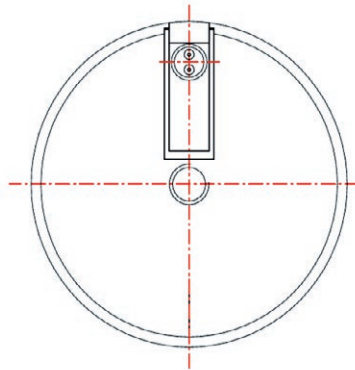
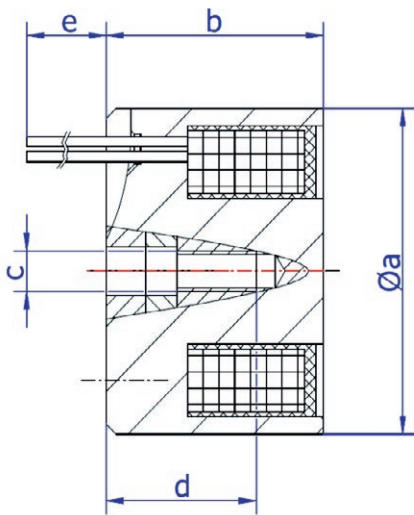
Heavy duty

Strong

ITS-PE 2025

M

Type



Description

Weight: 70 g

Power: 6,0 Watt

Holdingforce: 45 N

Mounting plates (minimum): 3 mm

Dimension

a	b	c	d	e
20	25	M4	14	200

Solenoid Layout

Current:

12 VDC

24 VDC (standard)

Special development

Do you like a costum designed version (for example frame, force, duty cycle and so on) please send us this form:

[Checklist \(PDF, 390 kB\)](#)