

# Electromagnets

## Permanent Electromagnets

Sealed

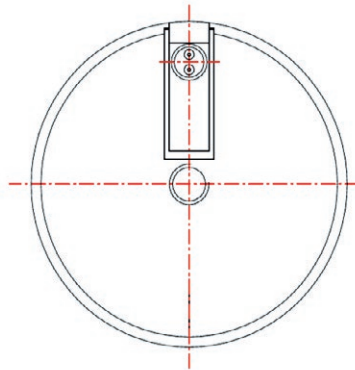
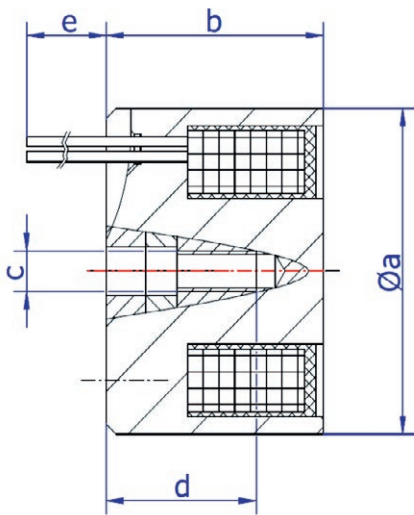
Strong

Extremely energy-efficient

ITS-PE 7045

**M**

### Type



### Description

Weight: 900 g

Power: 15,0 Watt

Holdingforce: 720 N

Mounting plates (minimum): 25 mm

### Dimension

a	b	c	d	e
70	45	M8	25	200

### Solenoid Layout

Current:

12 VDC

24 VDC (standard)

### Special development

Do you like a costum designed version (for example frame, force, duty cycle and so on) please send us this form:

[Checklist \(PDF, 390 kB\)](#)