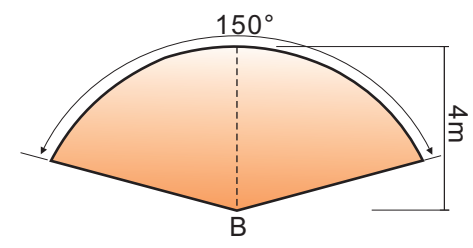
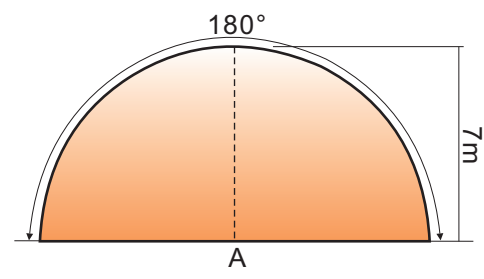
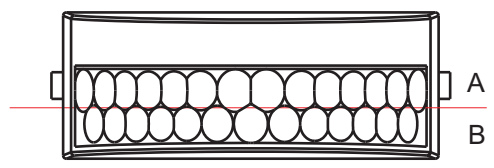
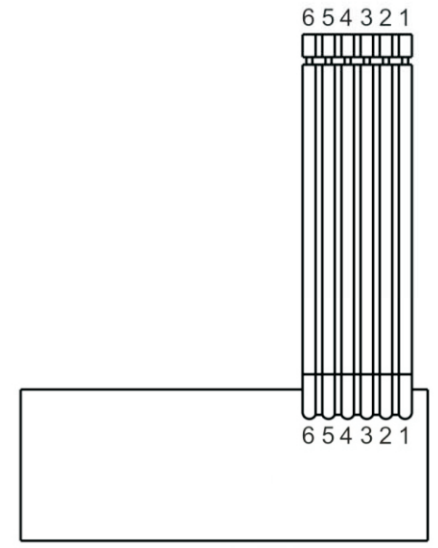
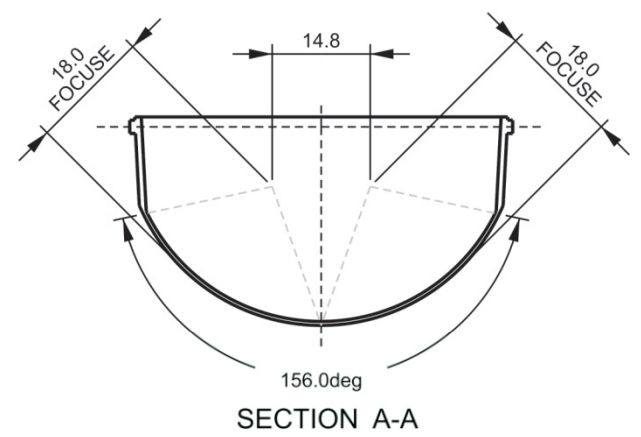
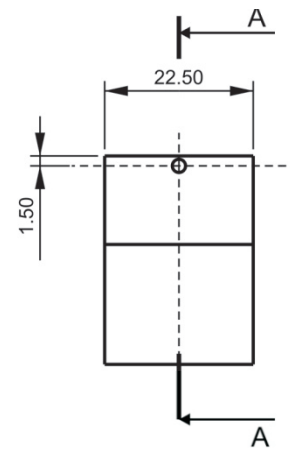
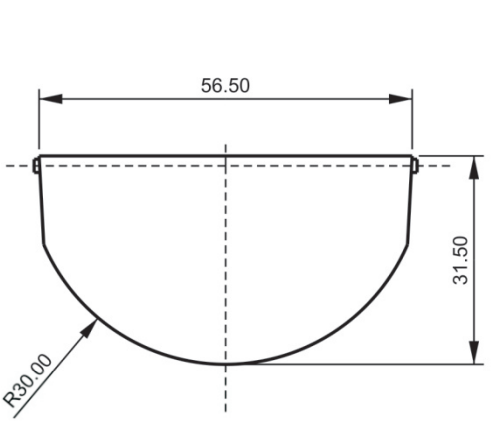
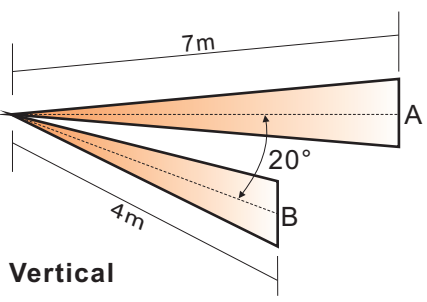


IR Sensor Module

Model: A165/180



Horizontal



Vertical

- 1 Output reference
- 2 Ground
- 3 Signal Output
- 4 Voltage Input
- 5 Light Control In
- 6 Light Control Out

Angle: approx. 180 degree in 2 levels
 Range: approx. 7 m
 Operating voltage: (UB) approx. 4 to 9VDC
 Power consumption: (IE) approx. 1 Ma at UB = 5V
 Output signal: (Uout) U signal + U REF.
 Resistor (LDR): about 50 KOhm at 10 lux.
 Operating temperature: -20 °C to +50 °C
 Connection to the switch unit: PVC flat wire (approx. 50 mm length)
 Dimensions (L x W xH): about 56.5 x 22.5 x 31.5 mm