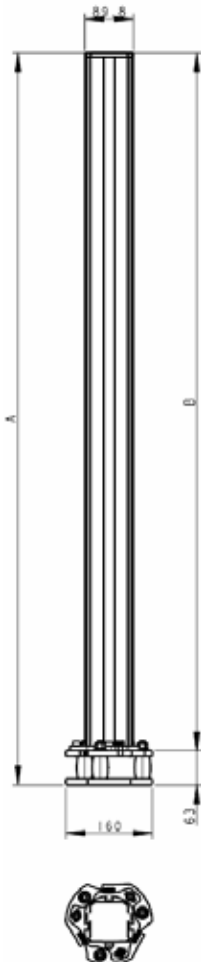
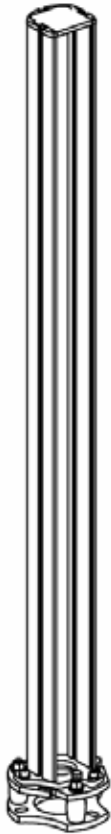


# DEVICE COLUMN

## YXC-□□□□-F00



### DEVICE COLUMN FOR LIGHT CURTAINS AND ACCESS CONTROL BARRIERS

#### MAIN FEATURES

- Robust protective profile, attractive design
- Special spring elements automatically reset position in case of mechanical impact
- Complete assembly kit for both device and floor mounting included
- Easy to mount: vertical and axial adjustments can be quickly completed in just a few steps

#### APPLICATION AREA

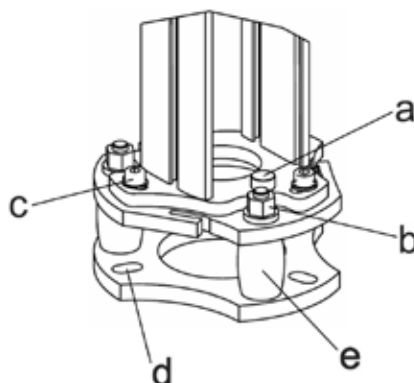
Freestanding floor mounting for safety light curtains and access control barriers, such as Safetinx YBB and YCA models

#### TECHNICAL DATA

Housing	Aluminum profile housing and steel floor plates
Surface	Powder-varnished, yellow (RAL 1021)

#### PART REFERENCES / DIMENSIONS

Device column	Total height (A) [mm]	Housing height (B) [mm]	Suitable for
<b>YXC-1060-F00</b>	1060	997	YBB-####-0150-#### to YBB-####-0800-####
<b>YXC-1360-F00</b>	1360	1297	YBB-####-0900-####, YBB-####-1000-####, YCA-####-3400-####, YCA-####-4300-####
<b>YXC-1660-F00</b>	1660	1597	YBB-####-1200-#### to YBB-####-1400-####, YCA-####-3500-####, YCA-####-5300-####, YCA-####-4400-####
<b>YXC-1960-F00</b>	1960	1897	YBB-####-1600-####, YBB-####-1700-####, YCA-####-6300-####



- a = level
- b = vertical adjustment screws
- c = Allen screws to rotate the column
- d = 3 bore holes for floor braces (Ø 10 mm)
- e = plastic spring element with automatic retraction