

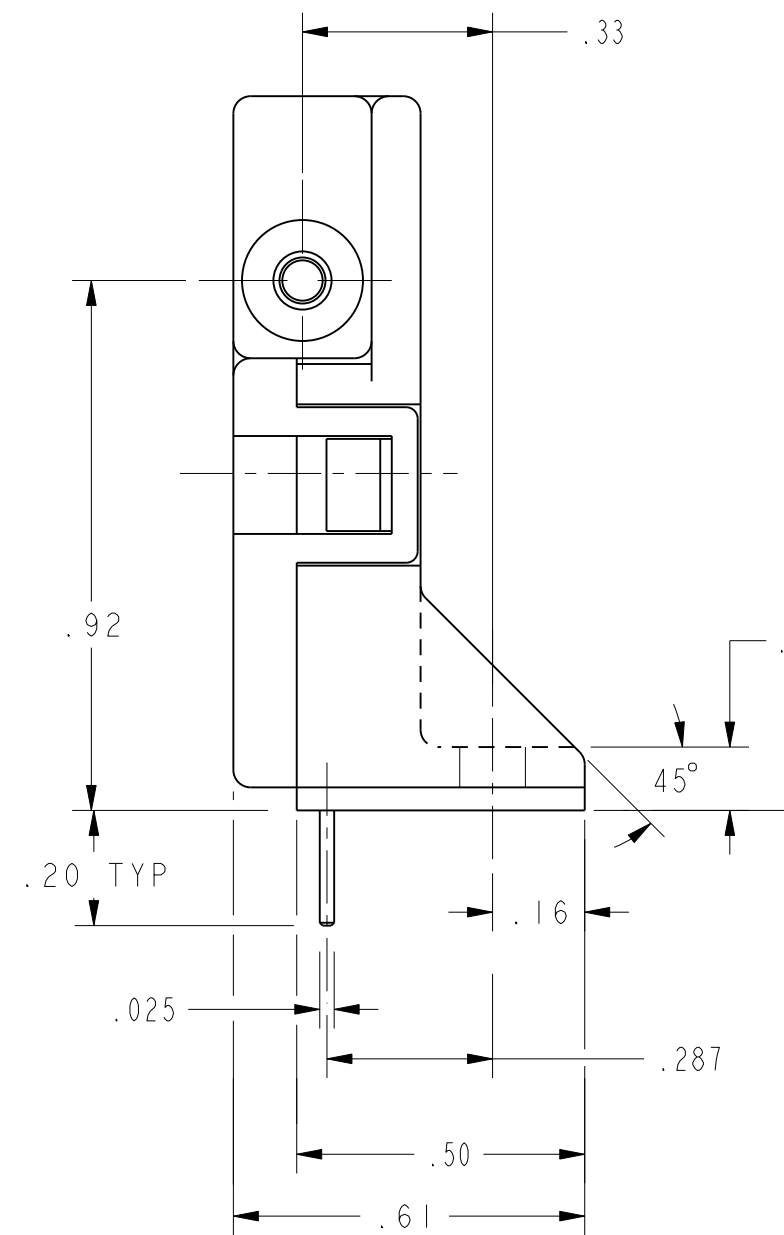
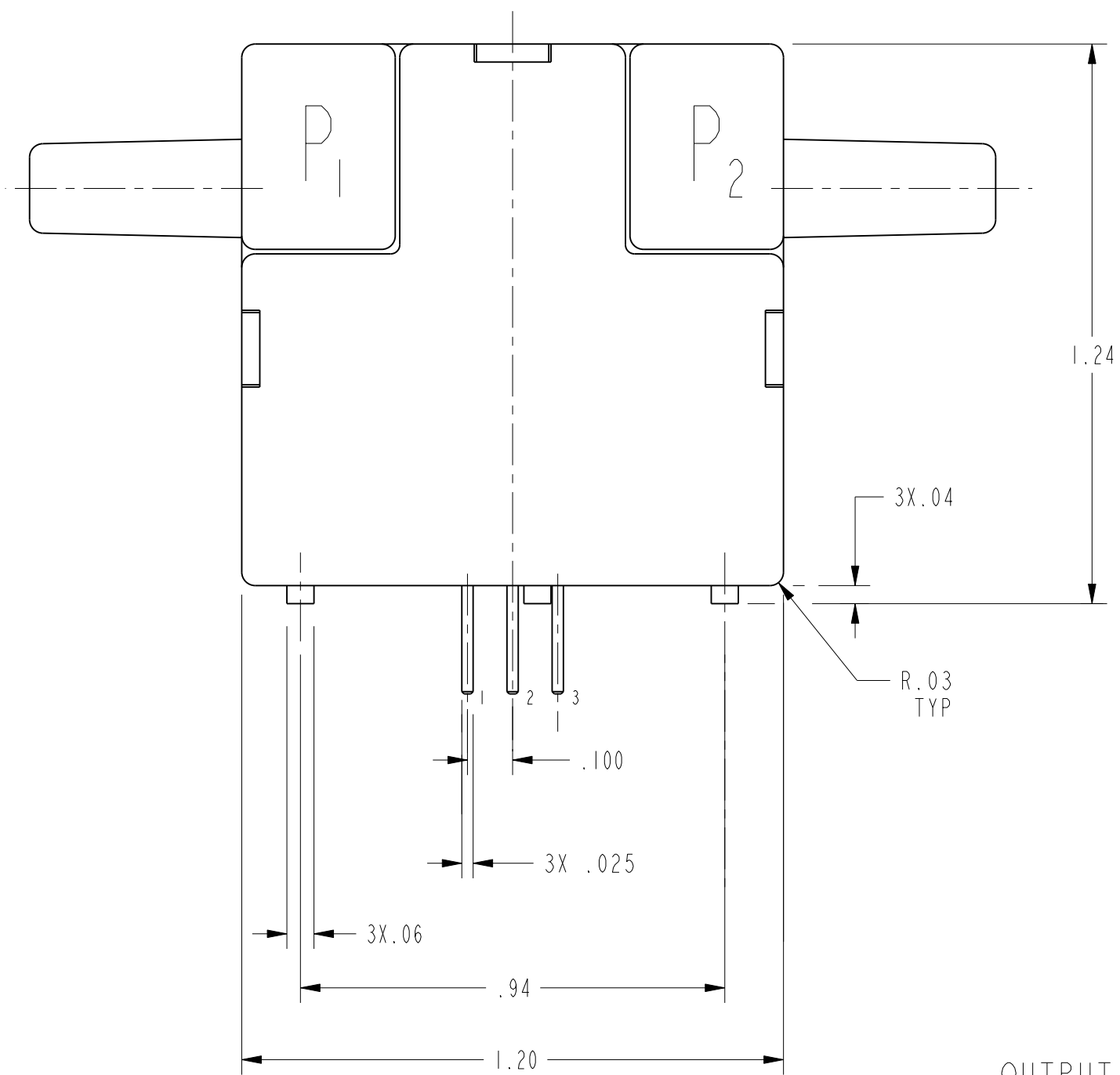
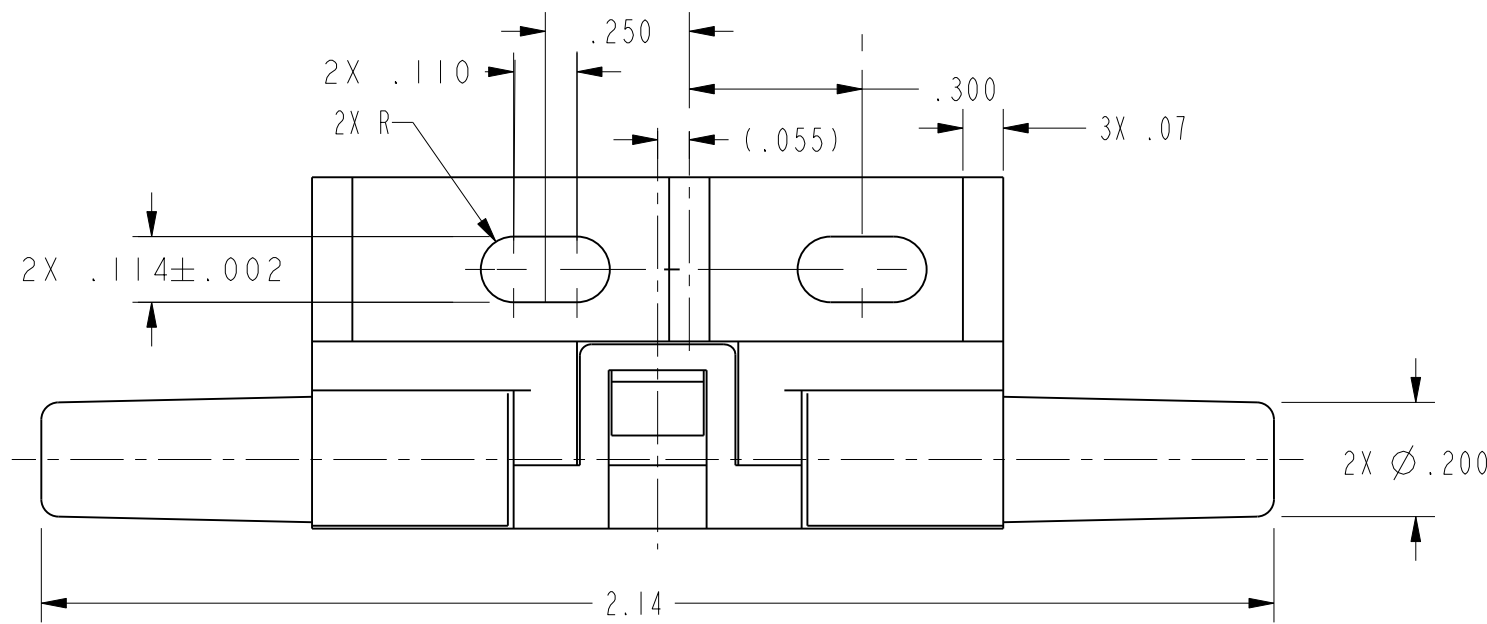
HONEYWELL PART NUMBER
AWM3300V

REV	DOCUMENT	CHANGED BY	CHECK
6	0013772	RS 21JUN05	AK

SPECIFICATIONS:	AWM3300V
RECOMMENDED EXCITATION	10.00 ± .01VDC
POWER CONSUMPTION	60mW MAX
OUTPUT VOLTAGE @ LASER TRIM POINT	5.00 VDC @ 1000 sccm
NULL VOLTAGE	1.00 ± .10 VDC
NULL VOLTAGE SHIFT (-25°C TO +85°C)	± 25mV
OUTPUT VOLTAGE SHIFT (+25°C TO -25°C)	-5% READING MAX
(+25°C TO +85°C)	+5% READING MAX
REPEATABILITY & HYSTERESIS	±1.0% READING TYP
RESPONSE TIME	3.0 msec MAX
OPERATING TEMPERATURE RANGE	-25°C TO +85°C
STORAGE TEMPERATURE RANGE	-40°C TO +90°C
TERMINATION (ON .100 CENTERS)	0.025 SQ. IN.
WEIGHT	10.8 GRAMS
SHOCK RATING (5 DROPS, EACH OF 6 AXES)	100G PEAK
OVERPRESSURE	25 psi MAX

AWM3300V
OUTPUT FLOW VS. INTERCHANGEABILITY

FLOW sccm	NOMINAL (VDC)	TOL. (±VDC)
1000	5.00	0.15
900	4.90	0.16
800	4.80	0.17
700	4.66	0.18
600	4.42	0.19
500	4.18	0.20
400	3.82	0.21
300	3.41	0.19
200	2.96	0.17
100	2.30	0.14
0	1.00	0.10



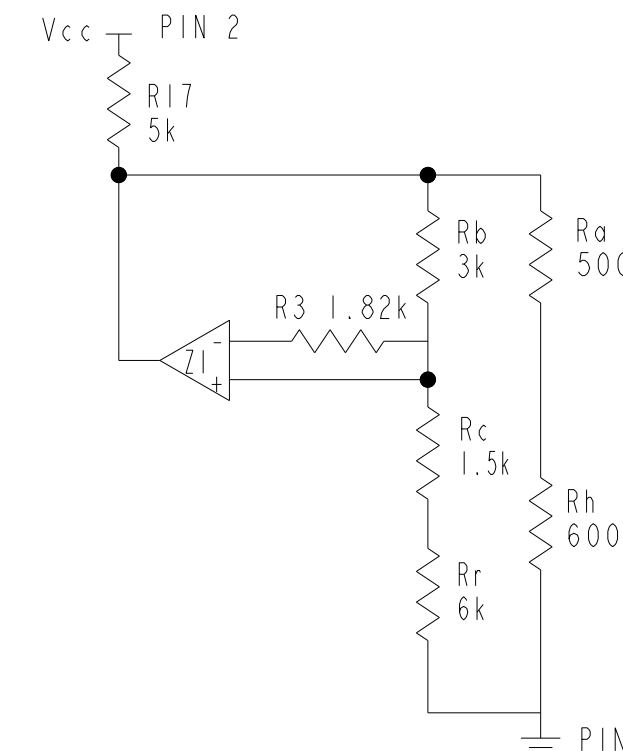
OUTPUT CONNECTIONS

- PIN 1 OUTPUT VOLTAGE
- PIN 2 + SUPPLY VOLTAGE
- PIN 3 GROUND

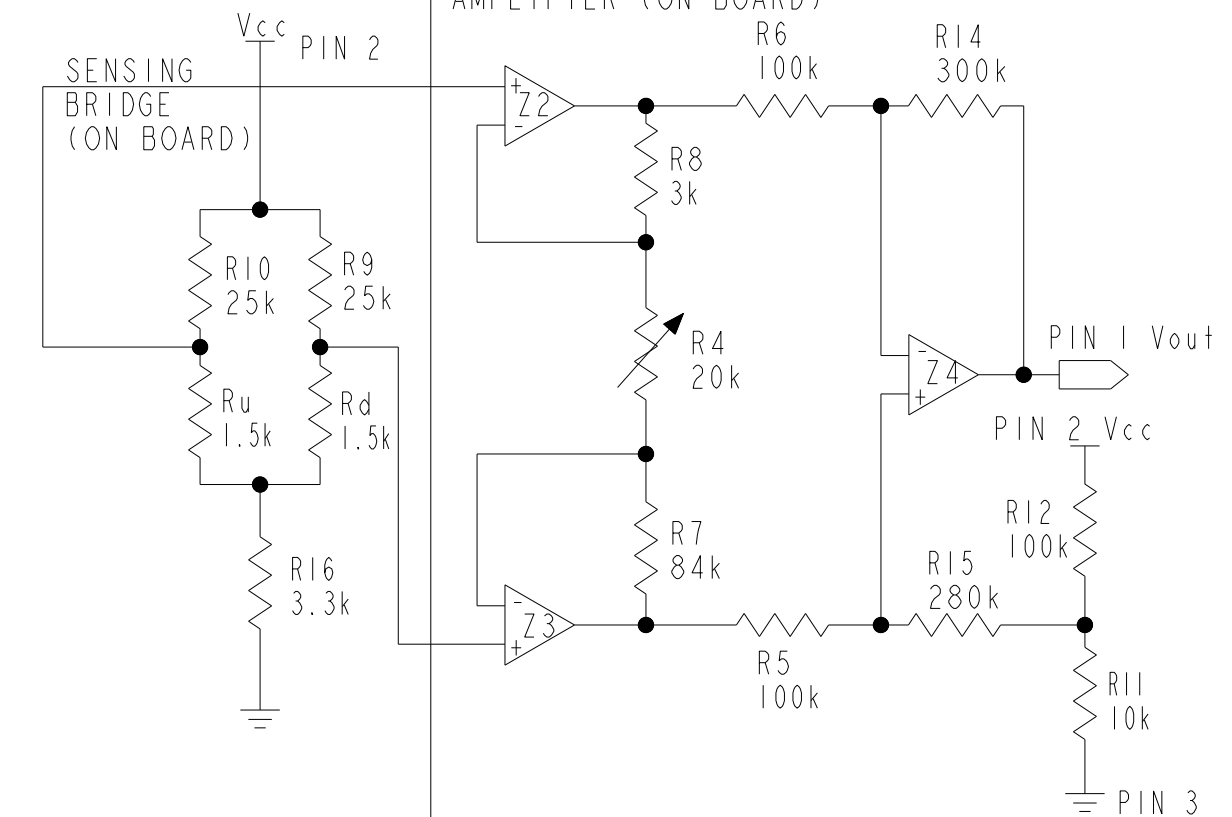
NOTES

1 - POSITIVE FLOW DIRECTION IS DEFINED AS PROCEEDING FROM P1 TO P2 AND RESULTS IN POSITIVE OUTPUT (PIN 1 > PIN 3). NEGATIVE FLOW DIRECTION IS DEFINED CONVERSELY AND RESULTS IN NEGATIVE OUTPUT (PIN 1 < PIN 3)

HEATER CONTROL CIRCUIT



SENSING BRIDGE SUPPLY CIRCUIT AND DIFFERENTIAL INSTRUMENTATION AMPLIFIER (ON BOARD)



REPLACES: X89614-AW

DESIGN UNITS: INCH TOLERANCES UNLESS NOTED:	NO PLACE X ±	ONE PLACE .X ±	TWO PLACE .XX ±	THREE PLACE .XXX ±	FOUR PLACE .XXXX ±	ANGLES X ±	THIRD ANGLE PROJECTION	DRAWN LKJ 26SEP02	CHECK SAV 26SEP02	Honeywell TITLE MASS AIRFLOW SENSOR			
								THIS DRAWING COVERS A PROPRIETARY ITEM AND IS THE PROPERTY OF HONEYWELL. THIS DRAWING IS NOT TO BE COPIED OR USED WITHOUT THE PERMISSION OF HONEYWELL.	INTERPRET PER ANSI Y14.5M-1982 OTHER HONEYWELL ENGINEERING STANDARDS MAY APPLY				
								Pro/ENGINEER	2D	SCALE 3:1	SHEET 1 OF 1		