

## RIDERSERIES RCIKIT 230VAC 2CO LD/PB

**Weidmüller Interface GmbH & Co. KG**  
 Klingenbergstraße 16  
 D-32758 Detmold  
 Germany  
 Fon: +49 5231 14-0  
 Fax: +49 5231 14-292083  
 www.weidmueller.com



Modular system comprised of:

- relay socket for rail mounting
- LED indicator unit
- retaining clip
- plug-in relay
- markers

### General ordering data

Order No.	<a href="#">8881630000</a>
Type	RCIKIT 230VAC 2CO LD/PB
Version	RIDERSERIES, Relays, No. of contacts: 2, CO contact with test button, AgNi 90/10, Rated control voltage: 230 V AC, Continuous current: 8 A, Screw connection
GTIN (EAN)	4032248631889
Qty.	10 pc(s).

**RIDERSERIES**  
**RCIKIT 230VAC 2CO LD/PB**

**Weidmüller Interface GmbH & Co. KG**  
 Klingenbergstraße 16  
 D-32758 Detmold  
 Germany  
 Fon: +49 5231 14-0  
 Fax: +49 5231 14-292083  
 www.weidmueller.com

**Technical data**
**Ratings**

Conductor connection system	Screw connection	Humidity	40 °C / 93 % rel. humidity, no condensation
UL 94 flammability rating	V-0		

**Dimensions and weights**

Width	15.5 mm	Height	77 mm
Depth	70 mm	Net weight	56.42 g

**Temperatures**

Operating temperature	-40 °C...+70 °C	Storage temperature	-40 °C...+70 °C
-----------------------	-----------------	---------------------	-----------------

**Connection data**

Clamping range, rated connection	2.5 mm <sup>2</sup>	Clamping range, rated connection, min.	0.5 mm <sup>2</sup>
Clamping range, rated connection, max.	2.5 mm <sup>2</sup>	Tightening torque, min.	0.5 Nm
Tightening torque, max.	0.7 Nm	Stripping length, rated connection	8 mm

**Input**

Rated control voltage	230 V AC	Rated current AC	3.5 mA
Coil resistance	32,500 Ω ± 15 %	Power rating	0.8 VA
Response / drop-out voltage AC coil	172.5 V / 34.5 V	Status indicator	Green LED = DC coil; red LED = AC coil

**Output**

Rated switching voltage	240 V AC	Max. switching voltage, AC	400 V
Continuous current	8 A	making current	15 A / 4 s
Max. switching power	2000 VA	Sparkover time / Drop-out time	10 ms / 4 ms
Max. switching frequency at rated load	0.1 Hz		

**Contact specifications**

No. of contacts	2	Contact design	CO contact with test button
Contact material	AgNi 90/10	Mechanical service life	AC coil 5 x 10 <sup>6</sup> Switching cycles, DC coil 10 x 10 <sup>6</sup> Switching cycles

**Insulation coordination**

Rated voltage	250 V	Clearance and creepage distances for control side - load side	≥ 8 mm
Dielectric strength for control side - load side	5 kV <sub>eff</sub> / 1min	Insulating material group	IIIa
Pollution severity	2	Surge voltage category	III

**Other technical data**

Version	with test button	Status indicator	Green LED = DC coil; red LED = AC coil
---------	------------------	------------------	--

**RIDERSERIES  
RCIKIT 230VAC 2CO LD/PB**

**Weidmüller Interface GmbH & Co. KG**  
 Klingenbergstraße 16  
 D-32758 Detmold  
 Germany  
 Fon: +49 5231 14-0  
 Fax: +49 5231 14-292083  
 www.weidmueller.com

**Technical data**

**Further details of approvals / standards**

Standards DIN EN 50178

**Classifications**

ETIM 3.0	EC001437	UNSPSC	30-21-19-17
eClass 5.1	27-37-16-01	eClass 6.0	27-37-16-01
eClass 7.0	27-37-16-01		

**Approvals**

Approvals



**Downloads**

Declaration of Conformity	<a href="#">K314_07_09.pdf</a>
EPLAN	<a href="#">8881630000.ema</a>
<a href="#">3-D model</a>	

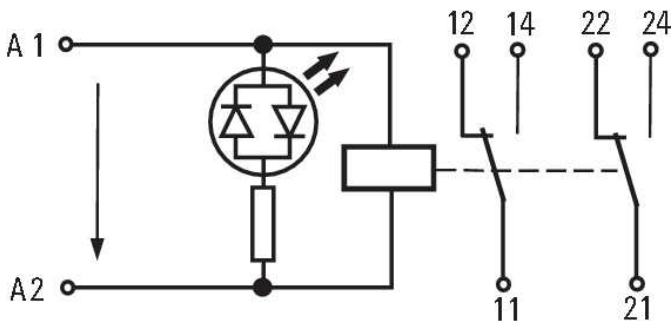
**RIDERSERIES  
RCIKIT 230VAC 2CO LD/PB**

**Weidmüller Interface GmbH & Co. KG**  
 Klingenbergstraße 16  
 D-32758 Detmold  
 Germany  
 Fon: +49 5231 14-0  
 Fax: +49 5231 14-292083  
 www.weidmueller.com

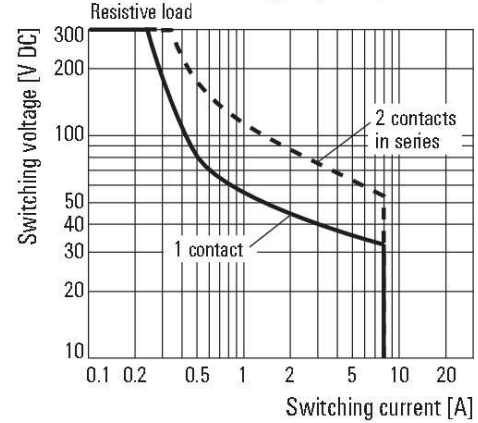
**Drawings**

**Electric symbol**

**AC-Version**

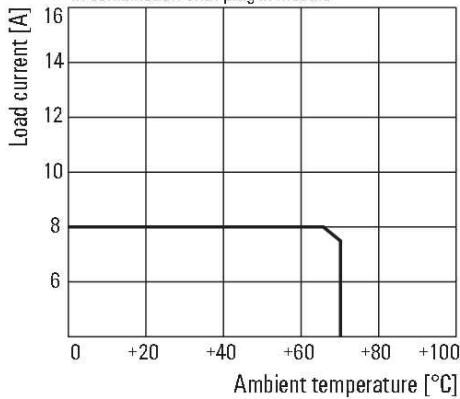


**DC load breaking capacity**

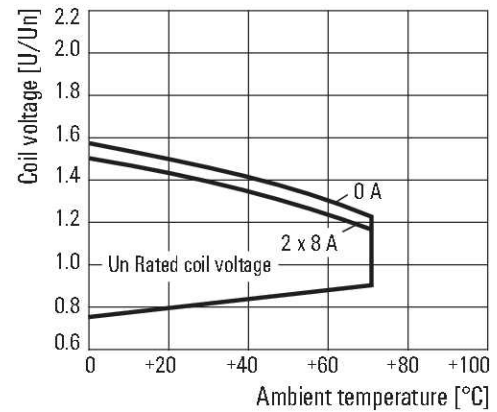


**Derating curve**

in combination with plug-in module

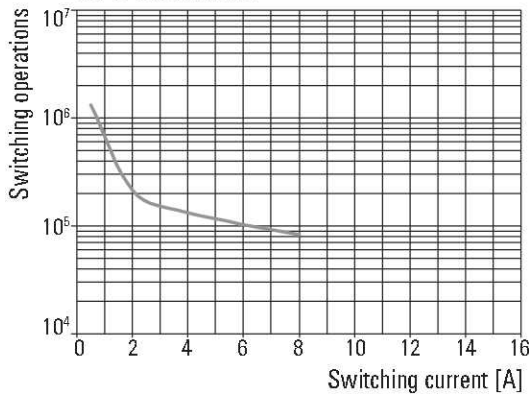


**Operating voltage range AC**



**Electrical endurance**

250 V AC Resistive load



**RIDERSERIES  
RCIKIT 230VAC 2CO LD/PB**

**Weidmüller Interface GmbH & Co. KG**  
 Klingenbergstraße 16  
 D-32758 Detmold  
 Germany  
 Fon: +49 5231 14-0  
 Fax: +49 5231 14-292083  
 www.weidmueller.com

**Accessories**
**LED**


Pluggable protective modules for the RIDERSERIES RCI / RCM relay base, with optional protective functions.

- With either green or red LED
- For UC supply voltage

**General ordering data**

Order No.	Type	Version	GTIN (EAN)	Qty.
<a href="#">8869650000</a>	RIM-I 3 110/230VUC	RIDERSERIES, Accessories	4032248614592	10 pc(s).
<a href="#">8869660000</a>	RIM-I 3 110/230VUC GN	RIDERSERIES, Accessories	4032248614721	10 pc(s).

**Cross-connector**


Cross-connector for bridging connections in the RIDERSERIES RCI

**General ordering data**

Order No.	Type	Version	GTIN (EAN)	Qty.
<a href="#">8870840000</a>	SRC-I QV P	RIDERSERIES, Cross-connector	4032248631681	10 pc(s).
<a href="#">1132070000</a>	SRC-I QV S	RIDERSERIES, Cross-connector	4032248912087	10 pc(s).

**LED / Protective varistor**


Pluggable protective modules for the RIDERSERIES RCI / RCM relay base, with optional protective functions.

- With protective varistor
- For UC supply voltage

**General ordering data**

Order No.	Type	Version	GTIN (EAN)	Qty.
<a href="#">8869750000</a>	RIM-I 4 230VUC VAR	RIDERSERIES, Accessories	4032248606368	10 pc(s).

**RIDERSERIES  
RCIKIT 230VAC 2CO LD/PB**

**Weidmüller Interface GmbH & Co. KG**  
 Klingenbergstraße 16  
 D-32758 Detmold  
 Germany  
 Fon: +49 5231 14-0  
 Fax: +49 5231 14-292083  
 www.weidmueller.com

**Accessories**
**Base**


Relay base for the RIDERSERIES RCI relays

- 1 and 2 CO contacts
- Screw and PUSH IN connection
- Standard and low heights

**General ordering data**

Order No.	Type	Version	GTIN (EAN)	Qty.
<a href="#">8869480000</a>	SRC-I 2CO N	RIDERSERIES, Accessories,	4032248614431	10 pc(s).
		Continuous current: 16 A <sup>(1)</sup> , 8 A, Screw connection		

**with LED and test button**


Standard relays in the RIDERSERIES RCI.

- 2 CO contacts
- Relay with AC coil
- Relay with test button and integrated status display

**General ordering data**

Order No.	Type	Version	GTIN (EAN)	Qty.
<a href="#">8870370000</a>	RCI484T30	RIDERSERIES, Relais,	4032248613755	10 pc(s).
		No. of contacts: 2, CO contact with test button, AgNi 90/10, Rated control voltage: 230 V AC, Continuous current: 8 A, Plug-in connection		

**RIDERSERIES  
RCIKIT 230VAC 2CO LD/PB**

**Weidmüller Interface GmbH & Co. KG**  
 Klingenbergstraße 16  
 D-32758 Detmold  
 Germany  
 Fon: +49 5231 14-0  
 Fax: +49 5231 14-292083  
 www.weidmueller.com

**Accessories**

**Metal retaining clip**



Metal retaining clip for RIDERSERIES RCI relays

**General ordering data**

Order No.	Type	Version	GTIN (EAN)	Qty.
<a href="#">1132090000</a>	SRC-I CLIP HM RCI	RIDERSERIES, Accessories	4032248912209	20 pc(s).

**Labelling clip**



Labelling clip for marking RIDERSERIES RCI relays

**General ordering data**

Order No.	Type	Version	GTIN (EAN)	Qty.
<a href="#">8869530000</a>	SRC-I MARK	RIDERSERIES, Markers	4032248614479	10 pc(s).

**Protection module**



Pluggable protective modules for the RIDERSERIES RCI / RCM relay base, with optional protective functions.

- Optionally with free-wheel diode, load resistor or RC filter

**General ordering data**

Order No.	Type	Version	GTIN (EAN)	Qty.
<a href="#">8869580000</a>	RIM-I 1 6/230V	RIDERSERIES, Accessories	4032248614523	10 pc(s).
<a href="#">8870830000</a>	RIM-I 1 R 110/230V	RIDERSERIES, Accessories	4032248631674	10 pc(s).
<a href="#">8869790000</a>	RIM-I 3 110/230VAC RC	RIDERSERIES, Accessories	4032248606337	10 pc(s).

**RIDERSERIES  
RCIKIT 230VAC 2CO LD/PB**

**Weidmüller Interface GmbH & Co. KG**  
Klingenbergstraße 16  
D-32758 Detmold  
Germany  
Fon: +49 5231 14-0  
Fax: +49 5231 14-292083  
www.weidmueller.com

**Accessories****Plastic retaining clip**

Plastic retaining clip for RIDERSERIES RCI relays

**General ordering data**

Order No.	Type	Version	GTIN (EAN)	Qty.
<a href="#">8869510000</a>	SRC-I CLIP HP	RIDERSERIES, Accessories	4032248614462	10 pc(s).