

RIDERSERIES RCIKIT 230VAC 2CO LED

Weidmüller Interface GmbH & Co. KG
 Klingenbergstraße 16
 D-32758 Detmold
 Germany
 Fon: +49 5231 14-0
 Fax: +49 5231 14-292083
 www.weidmueller.com



Modular system comprised of:

- relay socket for rail mounting
- LED indicator unit
- retaining clip
- plug-in relay
- markers

General ordering data

Order No.	8871050000
Type	RCIKIT 230VAC 2CO LED
Version	RIDERSERIES, Relays, No. of contacts: 2, CO contact, AgNi 90/10, Rated control voltage: 230 V AC, Continuous current: 8 A, Screw connection
GTIN (EAN)	4032248604210
Qty.	10 pc(s).

RIDERSERIES
RCIKIT 230VAC 2CO LED

Weidmüller Interface GmbH & Co. KG
 Klingenbergstraße 16
 D-32758 Detmold
 Germany
 Fon: +49 5231 14-0
 Fax: +49 5231 14-292083
 www.weidmueller.com

Technical data
Ratings

Conductor connection system	Screw connection	Humidity	40 °C / 93 % rel. humidity, no condensation
UL 94 flammability rating	V-0		

Dimensions and weights

Width	15.5 mm	Height	77 mm
Depth	70 mm	Net weight	56.32 g

Temperatures

Operating temperature	-40 °C...+70 °C	Storage temperature	-40 °C...+70 °C
-----------------------	-----------------	---------------------	-----------------

Connection data

Clamping range, rated connection	2.5 mm ²	Clamping range, rated connection, min.	0.5 mm ²
Clamping range, rated connection, max.	2.5 mm ²	Tightening torque, min.	0.5 Nm
Tightening torque, max.	0.7 Nm	Stripping length, rated connection	8 mm

Input

Rated control voltage	230 V AC	Rated current AC	3.5 mA
Coil resistance	32,500 Ω ± 15 %	Power rating	0.8 VA
Response / drop-out voltage AC coil	172.5 V / 34.5 V	Status indicator	Green LED = DC coil; red LED = AC coil

Output

Rated switching voltage	240 V AC	Max. switching voltage, AC	400 V
Continuous current	8 A	making current	15 A / 4 s
Max. switching power	2000 VA	Sparkover time / Drop-out time	10 ms / 4 ms
Max. switching frequency at rated load	0.1 Hz		

Contact specifications

No. of contacts	2	Contact design	CO contact
Contact material	AgNi 90/10	Mechanical service life	AC coil 5 x 10 ⁶ Switching cycles, DC coil 10 x 10 ⁶ Switching cycles

Insulation coordination

Rated voltage	250 V	Clearance and creepage distances for control side - load side	≥ 8 mm
Dielectric strength for control side - load side	5 kV _{eff} / 1min	Insulating material group	IIIa
Pollution severity	2	Surge voltage category	III

Other technical data

Version	without test button	Status indicator	Green LED = DC coil; red LED = AC coil
---------	---------------------	------------------	--

**RIDERSERIES
RCIKIT 230VAC 2CO LED**

Weidmüller Interface GmbH & Co. KG
 Klingenbergstraße 16
 D-32758 Detmold
 Germany
 Fon: +49 5231 14-0
 Fax: +49 5231 14-292083
 www.weidmueller.com

Technical data

Further details of approvals / standards

Standards DIN EN 50178

Classifications

ETIM 3.0	EC001437	UNSPSC	30-21-19-17
eClass 5.1	27-37-16-01	eClass 6.0	27-37-16-01
eClass 7.0	27-37-16-01		

Approvals

Approvals



Downloads

Declaration of Conformity	K314_07_09.pdf
EPLAN	8871050000.ema
3-D model	

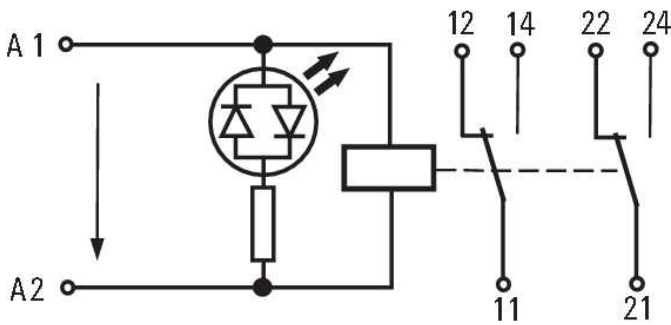
**RIDERSERIES
RCIKIT 230VAC 2CO LED**

Weidmüller Interface GmbH & Co. KG
 Klingenbergstraße 16
 D-32758 Detmold
 Germany
 Fon: +49 5231 14-0
 Fax: +49 5231 14-292083
 www.weidmueller.com

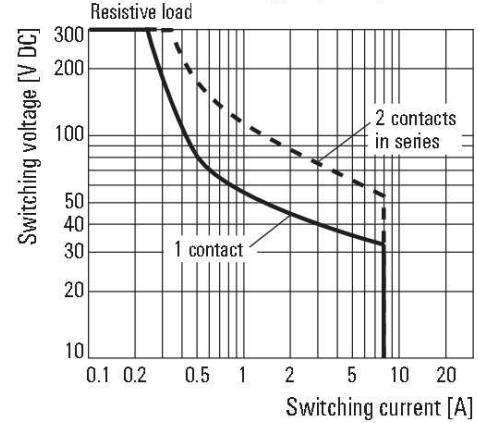
Drawings

Electric symbol

AC-Version

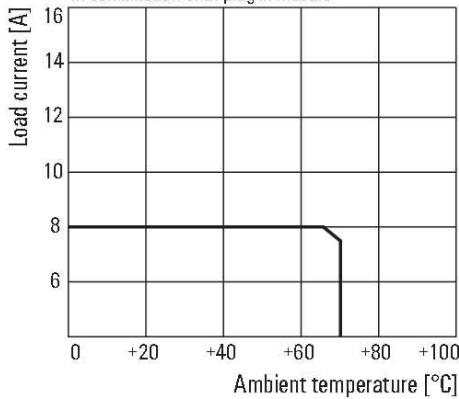


DC load breaking capacity

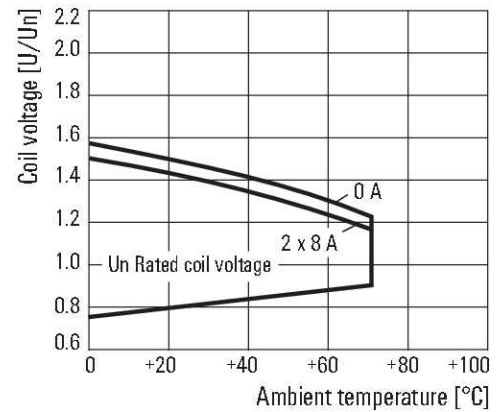


Derating curve

in combination with plug-in module

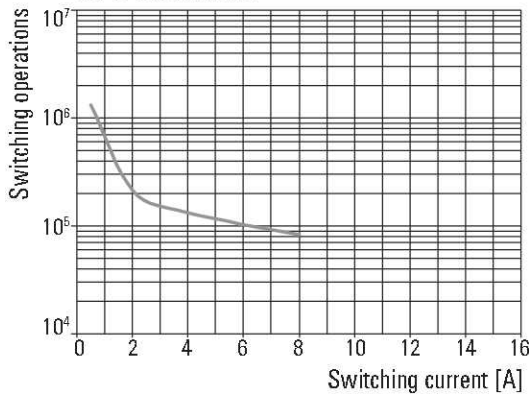


Operating voltage range AC



Electrical endurance

250 V AC Resistive load



**RIDERSERIES
RCIKIT 230VAC 2CO LED**

Weidmüller Interface GmbH & Co. KG
 Klingenbergstraße 16
 D-32758 Detmold
 Germany
 Fon: +49 5231 14-0
 Fax: +49 5231 14-292083
 www.weidmueller.com

Accessories
LED


Pluggable protective modules for the RIDERSERIES RCI / RCM relay base, with optional protective functions.

- With either green or red LED
- For UC supply voltage

General ordering data

Order No.	Type	Version	GTIN (EAN)	Qty.
8869650000	RIM-I 3 110/230VUC	RIDERSERIES, Accessories	4032248614592	10 pc(s).
8869660000	RIM-I 3 110/230VUC GN	RIDERSERIES, Accessories	4032248614721	10 pc(s).

Cross-connector


Cross-connector for bridging connections in the RIDERSERIES RCI

General ordering data

Order No.	Type	Version	GTIN (EAN)	Qty.
8870840000	SRC-I QV P	RIDERSERIES, Cross-connector	4032248631681	10 pc(s).
1132070000	SRC-I QV S	RIDERSERIES, Cross-connector	4032248912087	10 pc(s).

LED / Protective varistor


Pluggable protective modules for the RIDERSERIES RCI / RCM relay base, with optional protective functions.

- With protective varistor
- For UC supply voltage

General ordering data

Order No.	Type	Version	GTIN (EAN)	Qty.
8869750000	RIM-I 4 230VUC VAR	RIDERSERIES, Accessories	4032248606368	10 pc(s).

RIDERSERIES RCIKIT 230VAC 2CO LED

Weidmüller Interface GmbH & Co. KG
 Klingenbergstraße 16
 D-32758 Detmold
 Germany
 Fon: +49 5231 14-0
 Fax: +49 5231 14-292083
 www.weidmueller.com

Accessories

Base



Relay base for the RIDERSERIES RCI relays

- 1 and 2 CO contacts
- Screw and PUSH IN connection
- Standard and low heights

General ordering data

Order No.	Type	Version	GTIN (EAN)	Qty.
8869480000	SRC-I 2CO N	RIDERSERIES, Accessories,	4032248614431	10 pc(s).
		Continuous current: 16 A ⁽¹⁾ , 8 A, Screw connection		

Metal retaining clip



Metal retaining clip for RIDERSERIES RCI relays

General ordering data

Order No.	Type	Version	GTIN (EAN)	Qty.
1132090000	SRC-I CLIP HM RCI	RIDERSERIES, Accessories	4032248912209	20 pc(s).

Labelling clip



Labelling clip for marking RIDERSERIES RCI relays

General ordering data

Order No.	Type	Version	GTIN (EAN)	Qty.
8869530000	SRC-I MARK	RIDERSERIES, Markers	4032248614479	10 pc(s).

**RIDERSERIES
RCIKIT 230VAC 2CO LED**

Weidmüller Interface GmbH & Co. KG
 Klingenbergstraße 16
 D-32758 Detmold
 Germany
 Fon: +49 5231 14-0
 Fax: +49 5231 14-292083
 www.weidmueller.com

Accessories

with LED, without test button



Standard relays in the RIDERSERIES RCI.

- 2 CO contacts
- Relay with AC coil
- Relay with integrated status display

General ordering data

Order No.	Type	Version	GTIN (EAN)	Qty.
8870230000	RCI424T30	RIDERSERIES, Relais, No. of contacts: 2, CO contact, AgNi 90/10, Rated control voltage: 230 V AC, Continuous current: 8 A, Plug-in connection	4032248613601	10 pc(s).

Protection module



Pluggable protective modules for the RIDERSERIES RCI / RCM relay base, with optional protective functions.

- Optionally with free-wheel diode, load resistor or RC filter

General ordering data

Order No.	Type	Version	GTIN (EAN)	Qty.
8869580000	RIM-I 1 6/230V	RIDERSERIES, Accessories	4032248614523	10 pc(s).
8870830000	RIM-I 1 R 110/230V	RIDERSERIES, Accessories	4032248631674	10 pc(s).
8869790000	RIM-I 3 110/230VAC RC	RIDERSERIES, Accessories	4032248606337	10 pc(s).

**RIDERSERIES
RCIKIT 230VAC 2CO LED**

Weidmüller Interface GmbH & Co. KG
Klingenbergstraße 16
D-32758 Detmold
Germany
Fon: +49 5231 14-0
Fax: +49 5231 14-292083
www.weidmueller.com

Accessories**Plastic retaining clip**

Plastic retaining clip for RIDERSERIES RCI relays

**General ordering data**

Order No.	Type	Version	GTIN (EAN)	Qty.
8869510000	SRC-I CLIP HP	RIDERSERIES, Accessories	4032248614462	10 pc(s).