

TERMOPTO TOS 24VAC/48VDC 0,1A

Weidmüller Interface GmbH & Co. KG
 Klingenbergstraße 16
 D-32758 Detmold
 Germany
 Fon: +49 5231 14-0
 Fax: +49 5231 14-292083
 www.weidmueller.com



TERMOPTO solid-state-relay 5 to 48 V DC 0.1 A output version,

with AC or DC input, available in different versions:

- With screw connection
- In 6.1 mm width
- With various input protection circuits (free-wheel diode, varistor)
- Pluggable cross-connections
- Enclosed design

General ordering data

| | |
|------------|--|
| Order No. | 8950820000 |
| Type | TOS 24VAC/48VDC 0,1A |
| Version | TERMOPTO, Solid-state relay, Rated control voltage: 24 V AC $\pm 20\%$, Rated switching voltage: 5...48 V DC, Rated switching current: 100 mA, Screw connection |
| GTIN (EAN) | 4032248742196 |
| Qty. | 10 pc(s). |

TERMOPTO
TOS 24VAC/48VDC 0,1A

Weidmüller Interface GmbH & Co. KG
 Klingenbergstraße 16
 D-32758 Detmold
 Germany
 Fon: +49 5231 14-0
 Fax: +49 5231 14-292083
 www.weidmueller.com

Technical data
Dimensions and weights

| | | | |
|-------|--------|------------|---------|
| Width | 6.1 mm | Height | 74.5 mm |
| Depth | 55 mm | Net weight | 20.7 g |

Temperatures

| | | | |
|-----------------------|-----------------|---------------------|-----------------|
| Operating temperature | -20 °C...+60 °C | Storage temperature | -40 °C...+80 °C |
|-----------------------|-----------------|---------------------|-----------------|

Probability of failure

| | |
|------|-------------|
| MTTF | 2,500 Years |
|------|-------------|

Connection data

| | | | |
|--|---------------------|--|---------------------|
| Clamping range, rated connection | 2.5 mm ² | Clamping range, rated connection, min. | 0.5 mm ² |
| Clamping range, rated connection, max. | 4 mm ² | Tightening torque, min. | 0.4 Nm |
| Tightening torque, max. | 0.6 Nm | Stripping length, rated connection | 9 mm |

Control side

| | | | |
|----------------------------------|--------------|--------------------------------|------------|
| Rated control voltage | 24 V AC ±20% | Nominal control current | 7.4 mA AC |
| Power rating | < 0.18 VA | Input frequency | < 10 Hz |
| Cut-in (switch-on) voltage | ≥ 21.6 V AC | Dropout voltage | ≤ 9.6 V AC |
| Protective circuit, control side | Varistor | Status display on control side | Green LED |

Load side

| | | | |
|---------------------------|-------------|-------------------------------|-----------------------------|
| Rated switching voltage | 5...48 V DC | Continuous current | 100 mA |
| Rated switching current | 100 mA | Switch-on delay | < 12 ms |
| Switch-off delay | < 14 ms | Load category | DC1 |
| Leakage current | < 10 µA | Protective circuit, load side | Integrated free-wheel diode |
| Voltage drop at max. load | < 1 V | Load side status indicator | No |
| Short-circuit-proof | No | | |

General data

| | | | |
|-----------------------------|------------------|--------------|---|
| Solid-state type | Transistor | No. of poles | 1 |
| Conductor connection system | Screw connection | Humidity | 5...95 % rel. humidity T _u = 40 °C, no condensation |
| UL 94 flammability rating | V-0 | Standards | DIN EN 50178, IEC 62314, UL508 |

Insulation coordination

| | | | |
|---------------------------|------------------|---|--------|
| Rated voltage | 300 V | Clearance and creepage distances for control side - load side | > 3 mm |
| Impulse withstand voltage | 4 kV (1.2/50 µs) | Pollution severity | 2 |
| Surge voltage category | III | | |

Further details of approvals

| | |
|-----------|--------------------------------|
| Standards | DIN EN 50178, IEC 62314, UL508 |
|-----------|--------------------------------|

Data sheet...**TERMOPTO**
TOS 24VAC/48VDC 0,1A**Weidmüller Interface GmbH & Co. KG**
Klingenbergstraße 16
D-32758 Detmold
Germany
Fon: +49 5231 14-0
Fax: +49 5231 14-292083
www.weidmueller.com**Technical data****Classifications**

| | | | |
|------------|-------------|------------|-------------|
| ETIM 3.0 | EC001504 | eClass 5.1 | 27-27-09-90 |
| eClass 6.0 | 27-27-09-90 | eClass 7.0 | 27-27-09-90 |

Approvals

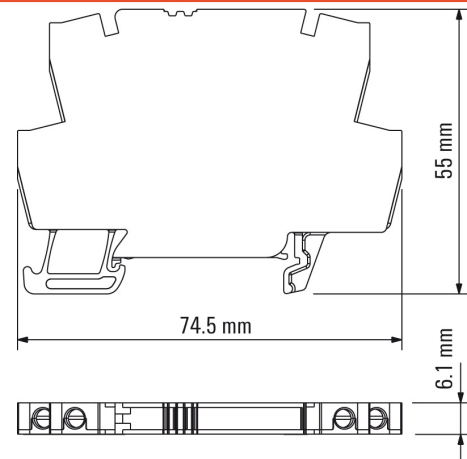
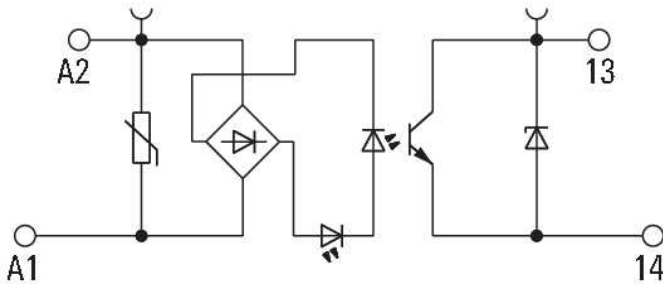
Approvals

**Downloads**

| | |
|---------------------------|--------------------------------|
| Declaration of Conformity | K305_02_11.pdf |
| EPLAN | 8950820000.ema |
| 3-D model | |

**TERMOPTO
TOS 24VAC/48VDC 0,1A**

Weidmüller Interface GmbH & Co. KG
Klingenbergstraße 16
D-32758 Detmold
Germany
Fon: +49 5231 14-0
Fax: +49 5231 14-292083
www.weidmueller.com

Drawings**Electric symbol****24...230 V AC**

**TERMOPTO
TOS 24VAC/48VDC 0,1A**

Weidmüller Interface GmbH & Co. KG
 Klingenbergstraße 16
 D-32758 Detmold
 Germany
 Fon: +49 5231 14-0
 Fax: +49 5231 14-292083
 www.weidmueller.com

Accessories
Blank


WS markers are the perfect match for the connectors of the W series. But thanks to their system compatibility the WS tags can also be used with the I series and the Z series. The large areas for printing permit not only long character strings but also multiple lines.

WS markers are ideal for labels with long, bespoke character strings. The tried-and-tested MultiCard format means that printing can be carried out with **laser** printers, **PrintJet, plotters** or the **MC-Mobilo**.

- Can be fitted in strips or singly
- Markers in proven multicard format

General ordering data

| Order No. | Type | Version | GTIN (EAN) | Qty. |
|----------------------------|------------------|--|---------------|------------|
| 1609900000 | WS 12/6 MC NE WS | Terminal markers, MultiCard, 12 x 6 mm, Polyamide, Colour: White | 4008190203467 | 600 pc(s). |

ZQV 4N


Weidmüller offers users of modular terminals of the Z-Series a comprehensive range of accessories that render possible appropriate solutions for all - even non-standard - tasks.

The accessories must comply with the same quality standards as the modular terminals themselves.

General ordering data

| Order No. | Type | Version | GTIN (EAN) | Qty. |
|----------------------------|--------------|---|---------------|-----------|
| 1793960000 | ZQV 4N/2 BL | Z-series, Accessories, Cross-connector, For the terminals, No. of poles: 2 | 4032248233755 | 60 pc(s). |
| 1758250000 | ZQV 4N/2 GE | Z-series, Accessories, Cross-connector, For the terminals, No. of poles: 2 | 4032248169795 | 60 pc(s). |
| 1794060000 | ZQV 4N/10 SW | Z-series, Accessories, Cross-connector, For the terminals, No. of poles: 10 | 4032248234059 | 20 pc(s). |
| 1762630000 | ZQV 4N/3 GE | Z-series, Accessories, Cross-connector, For the terminals, No. of poles: 3 | 4032248169788 | 60 pc(s). |
| 1793970000 | ZQV 4N/2 SW | Z-series, Accessories, Cross-connector, For the terminals, No. of poles: 2 | 4032248233762 | 60 pc(s). |
| 1794040000 | ZQV 4N/10 RT | Z-series, Accessories, Cross-connector, For the terminals, No. of poles: 10 | 4032248234004 | 20 pc(s). |

TERMOPTO TOS 24VAC/48VDC 0,1A

Weidmüller Interface GmbH & Co. KG
Klingenbergstraße 16
D-32758 Detmold
Germany
Fon: +49 5231 14-0
Fax: +49 5231 14-292083
www.weidmueller.com

Accessories

| | | |
|---|---|-------------------------|
| 1794010000 ZQV 4N/4 RT | Z-series, Accessories, Cross-connector, For the terminals, No. of poles: 4 | 4032248233809 60 pc(s). |
| 1794000000 ZQV 4N/3 SW | Z-series, Accessories, Cross-connector, For the terminals, No. of poles: 3 | 4032248233793 60 pc(s). |
| 1794020000 ZQV 4N/4 BL | Z-series, Accessories, Cross-connector, For the terminals, No. of poles: 4 | 4032248233816 60 pc(s). |
| 1794050000 ZQV 4N/10 BL | Z-series, Accessories, Cross-connector, For the terminals, No. of poles: 10 | 4032248234011 20 pc(s). |
| 1793990000 ZQV 4N/3 BL | Z-series, Accessories, Cross-connector, For the terminals, No. of poles: 3 | 4032248233786 60 pc(s). |
| 1794030000 ZQV 4N/4 SW | Z-series, Accessories, Cross-connector, For the terminals, No. of poles: 4 | 4032248233915 60 pc(s). |
| 1762620000 ZQV 4N/4 GE | Z-series, Accessories, Cross-connector, For the terminals, No. of poles: 4 | 4032248169771 60 pc(s). |
| 1758260000 ZQV 4N/10 GE | Z-series, Accessories, Cross-connector, For the terminals, No. of poles: 10 | 4032248169764 20 pc(s). |
| 1793950000 ZQV 4N/2 RT | Z-series, Accessories, Cross-connector, For the terminals, No. of poles: 2 | 4032248233748 60 pc(s). |
| 1793980000 ZQV 4N/3 RT | Z-series, Accessories, Cross-connector, For the terminals, No. of poles: 3 | 4032248233779 60 pc(s). |

Screwdrivers



Always the right tools:

Weidmüller screwdrivers are the result of a consistent grip concept which takes into account both the human hand and the different requirements when working. The right blade for every screw - with four different handle sizes

The advantages are obvious:

- User-friendly: ergonomic handle arrangement for effortless working progress
- Optimised connections: compatible blade and perfect handle size for maximum torque
- Reliable: even easier operation for even quicker wiring

The result: efficient, professional working progress.

General ordering data

| Order No. | Type | Version | GTIN (EAN) | Qty. |
|----------------------------|-----------------|--|---------------|----------|
| 9008330000 | SDS 0.6X3.5X100 | Screwdriver, Blade width (B): 3.5 mm, Blade length: | 4032248056286 | 1 pc(s). |

Data sheet...

TERMOPTO
TOS 24VAC/48VDC 0,1A

Weidmüller Interface GmbH & Co. KG
Klingenbergstraße 16
D-32758 Detmold
Germany
Fon: +49 5231 14-0
Fax: +49 5231 14-292083
www.weidmueller.com

Accessories

100 mm, Blade thickness
(A): 0.6 mm
