

HSR-V15K



HSR-V15K

High Voltage Reed Switch

Electrical Characteristics @ 25 °C

Contact form		A
Contact material		W*
Contact rating max.	W / VA	50
Switching voltage max.	VDC	6000
	VAC	4200
Switching current max.	A	3
Carry current max.	A	4.5
Breakdown voltage min.	VDC	15000
Contact resistance max. (initial)	mΩ	150
Insulation resistance min.	Ω	10 ¹⁰

*Minimum load for contact material W: 3 Watts !

Magnetical Characteristics (of unmodified Reed Switch) @ 25 °C

Pull in range available	AT	140 - 170
Drop out min.	AT	40
Test coil	TC	093
Test equipment tolerance	± AT	4

Operating Characteristics @ 25 °C

Switching frequency max.	Hz	50
Resonant frequency typ.	Hz	300
Operate time max. (incl. bounce)	ms	4
Release time max.	ms	1

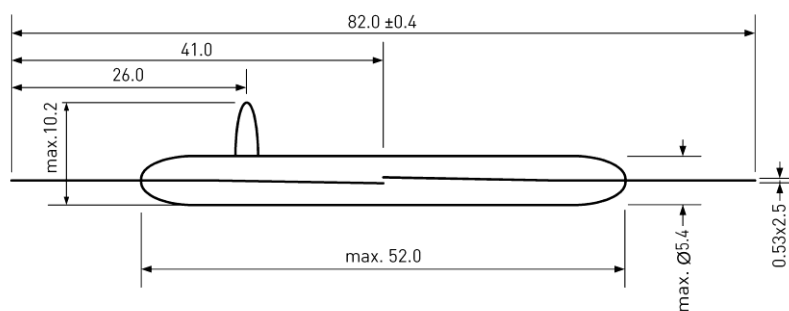
Environmental Characteristics

Operating temperature	°C	-60 to +125
Vibration (50-2000 Hz)	g	30
Shock (1/2 sin 11 ms)	g	100

Life Expectancy

Resistive load	Voltage	Current	Operations
	24 VDC	2 A	1 x 10 ⁵
5000 VDC	0,01 A	1 x 10 ⁵	

Dimensions in mm



Features

- Form A switch (normally open type)
- Switching voltage 6 kV
- Various sensitivity ranges available
- Breakdown voltage min. 15,000 VDC

Approvals



Ordering Information

Packing Unit	100 pcs
Weight per piece	2.35 g
Weight per package	392 g
Standard AT ranges	

130 to 140 AT
 140 to 150 AT
 150 to 160 AT
 160 to 170 AT

Ordering example

HSR-V15K130140 describes HSR-V15K with 130 to 140 AT.