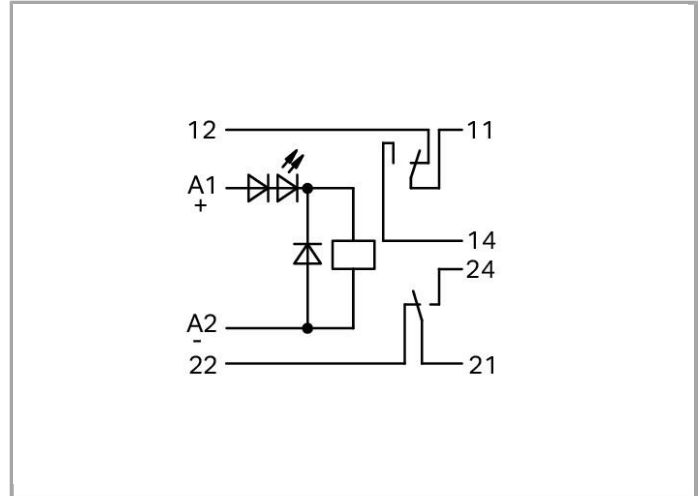


Data sheet | Item number: 288-312

Relay module; Nominal input voltage: 24 VDC; 2 changeover contacts;
Limiting continuous current: 6 A; Module width: 23 mm



www.wago.com/288-312



RoHS Compliant

BOMcheck.net

Color:

Data

Technical Data

Control circuit

Nominal input voltage U_N	24 VDC
Nominal input current at U_N	21.8 mA

Load circuit:

Number of changeover/switchover contacts	2
Contact material (relay)	AgNi 0.15
Limiting continuous current	6 A



Max. make current (resistive)	4 s 14 A (AC)
Max. switching voltage	250 VAC
Max. switching power (resistive)	1500 VAAC
Pull-in time (typ.)	8 ms
Drop-out time (typ.)	3 ms
Bounce time (typ.)	2 ms
Electrical life (N.O.; resistive load; 23 °C)	100 x 10 ³ switching operations
Mechanical life (N.O.; resistive load; 23 °C)	20 x 10 ⁶ switching operations

Safety and protection:

Rated voltage	250 V
Rated impulse voltage	2.5 kV
Pollution degree	2
Dielectric strength, control/load circuit (AC, 1 min)	2 kV _{rms}
Dielectric strength, control/load circuit (AC, 1 min)	2 kV _{rms}
Dielectric strength open contact (AC, 1 min)	1 kV _{rms}
Dielectric strength open contact (AC, 1 min)	1 kV _{rms}
Dielectric strength, load/load circuit (AC, 1 min)	1.5 kV _{rms}
Dielectric strength, load/load circuit (AC, 1 min)	1.5 kV _{rms}

Connection data

Connection technology	CAGE CLAMP®
WAGO terminal	WAGO 236 Series
Solid conductor	0.08 ... 2.5 mm ² / 28 ... 12 AWG
Fine-stranded conductor	0.08 ... 2.5 mm ² / 28 ... 12 AWG
Strip length	5 ... 6 mm / 0.2 ... 0.24 Inch

Geometrical Data

Width	22.5 mm / 0.886 inch
Height from upper-edge of DIN-35 rail	48 mm / 1.89 inch
Depth	85 mm / 3.346 inch

Mechanical data

Type of mounting	DIN-35 rail
------------------	-------------

Material Data

Color	gray
-------	------

Weight	46.55 g
--------	---------

Environmental Requirements

Surrounding air (operating) temperature at U_N	-25 ... 40 °C
Surrounding air (storage) temperature	-40 ... 80 °C
Pollution degree	2

Standards and specifications




Standards/specifications	EN 60664-1
--------------------------	------------

Commercial data


Country of origin	DE
GTIN	4045454468293
Customs Tariff No.	85364900990
Product Group	6 (Interface Electronics)

Compatible products

Marking accessories

	Item no.: 709-177 Marking strips; on reel; 7.5 mm wide; not stretchable; plain; snap-on type	www.wago.com/709-177
	Item no.: 709-178 Marking strips; on reel; 7.5 mm wide; not stretchable; plain; snap-on type	www.wago.com/709-178
	Item no.: 709-196 Marking strips; for laser printer	www.wago.com/709-196

tools

	Item no.: 210-720 Operating tool with partially insulated shaft; Type 2, blade (3.5 x 0.5) mm	www.wago.com/210-720
--	---	--

Downloads

Documentation

Bid Text

288-312	Jan 22, 2016	DOC	Download
Relaisbaustein		28.7 kB	

Additional Information

Disposal; Electrical and electronic equipment, Packaging	Oct 15, 2018		Download
		265.8 kB	



smartDATA

CAD data

3D Download 288-312

URL

Download

Subject to changes.