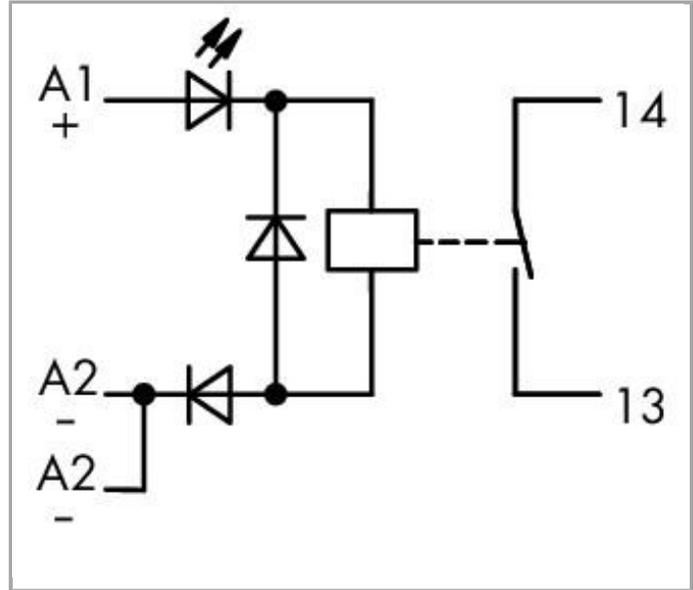


Data sheet | Item number: 288-320

Relay module; Nominal input voltage: 24 VDC; 1 make contact; Limiting continuous current: 16 A; for lamp loads; Module width: 21 mm



www.wago.com/288-320



RoHS Compliant [BOMcheck.net](https://www.bomcheck.net)

Data
Technical Data

Control circuit

| | |
|-----------------------------|---------------|
| Nominal input voltage U_N | 24 VDC |
| Input voltage range | -15 ... +20 % |

| | |
|--------------------------------|---------|
| Nominal input current at U_N | 21.8 mA |
|--------------------------------|---------|

Load circuit:

| | |
|---|---|
| Number of make contacts/switch on contacts | 1 |
| Contact material (relay) | AgSnO ₂ |
| Limiting continuous current | 16 A |
| Max. make current (resistive) | ; 4 s 25 A (AC) |
| Max. switching voltage | 250 VAC |
| Max. switching power (resistive) | 4000 VAAC; DC see load limit curve |
| Recommended minimum load | 12 V / 100 mA |
| Pull-in time (typ.) | 8 ms |
| Drop-out time (typ.) | 2 ms |
| Bounce time (typ) | 2 ms |
| Mechanical life (N.O.; resistive load; 23 °C) | 30 x 10 ⁶ switching operations |

Safety and protection:

| | |
|---|---------------------|
| Rated voltage | 250 V |
| Rated impulse voltage | 4 kV |
| Pollution degree | 2 |
| Dielectric strength, control/load circuit (AC, 1 min) | 4 kV _{rms} |
| Dielectric strength, control/load circuit (AC, 1 min) | 4 kV _{rms} |
| Dielectric strength open contact (AC, 1 min) | 1 kV _{rms} |
| Dielectric strength open contact (AC, 1 min) | 1 kV _{rms} |

Connection data

| | |
|-------------------------|--|
| Connection technology | CAGE CLAMP® |
| WAGO terminal | WAGO 236 Series |
| Solid conductor | 0.08 ... 2.5 mm ² / 28 ... 12 AWG |
| Fine-stranded conductor | 0.08 ... 2.5 mm ² / 28 ... 12 AWG |
| Strip length | 5 ... 6 mm / 0.2 ... 0.24 Inch |

Geometrical Data

| | |
|---------------------------------------|----------------------|
| Width | 20.5 mm / 0.807 inch |
| Height from upper-edge of DIN-35 rail | 47 mm / 1.85 inch |
| Depth | 85 mm / 3.346 inch |

Mechanical data

| | |
|------------------|-------------|
| Type of mounting | DIN-35 rail |
|------------------|-------------|

Material Data

| | |
|--------|----------|
| Weight | 43.177 g |
|--------|----------|

Environmental Requirements

| | |
|--|---------------|
| Surrounding air (operating) temperature at U_N | -25 ... 40 °C |
| Surrounding air (storage) temperature | -40 ... 70 °C |
| Pollution degree | 2 |

Standards and specifications

| | |
|--------------------------|------------|
| Standards/specifications | EN 60664-1 |
|--------------------------|------------|

Commercial data

| | |
|--------------------|---------------------------|
| Country of origin | DE |
| GTIN | 4045454362492 |
| Customs Tariff No. | 85364900990 |
| Product Group | 6 (Interface Electronics) |

Compatible products

tools



Item no.: 210-720
Operating tool with partially insulated shaft; Type 2, blade (3.5 x 0.5) mm

www.wago.com/210-720

Marking accessories



Item no.: 709-177
Marking strips; on reel; 7.5 mm wide; not stretchable; plain; snap-on type

www.wago.com/709-177



Item no.: 709-178
Marking strips; on reel; 7.5 mm wide; not stretchable; plain; snap-on type

www.wago.com/709-178



Item no.: 709-196
Marking strips; for laser printer

www.wago.com/709-196

Downloads

Documentation

Bid Text

288-320



| | | | |
|--|--------------|----------------|----------|
| Relaisbaustein | Jan 22, 2016 | DOC 28.7 kB | Download |
| <hr/> | | | |
| Additional Information | | | |
| Disposal; Electrical and electronic equipment, Packaging | Oct 15, 2018 | 265.8 kB | Download |
| <hr/> | | | |

Subject to changes.