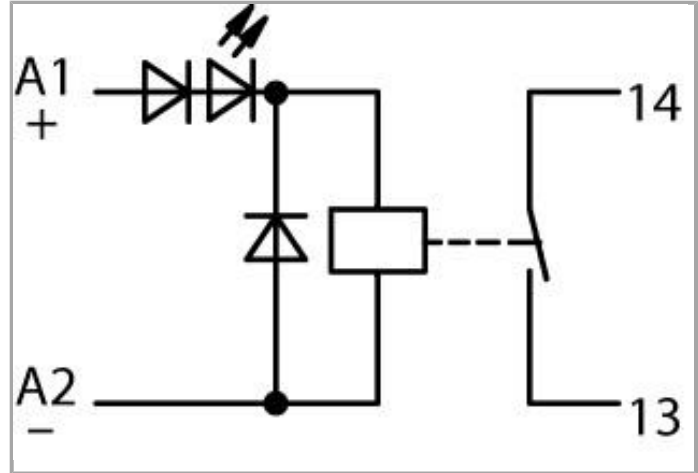
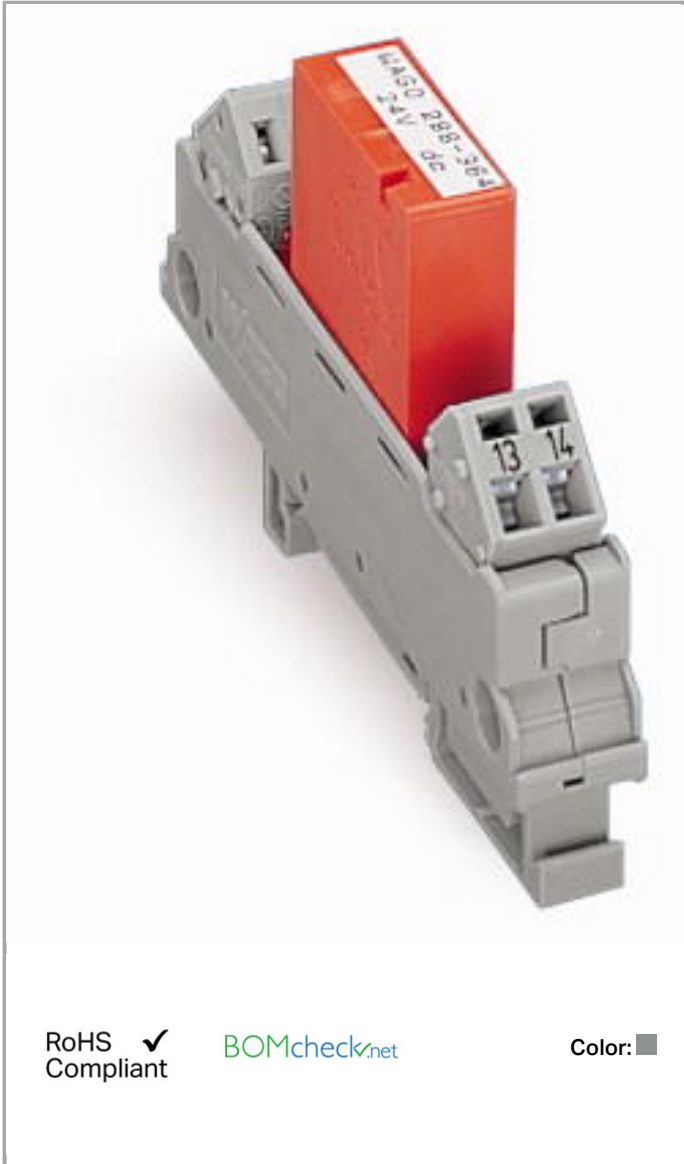


Data sheet | Item number: 288-364

Relay module; Nominal input voltage: 24 VDC; 1 make contact; Limiting continuous current: 5 A; Module width: 13 mm



[www.wago.com/288-364](http://www.wago.com/288-364)



RoHS  Compliant

[BOMcheck.net](https://www.bomcheck.net)

Color: ■

Data

Technical Data

Control circuit

Nominal input voltage  $U_N$  24 VDC

Nominal input current at  $U_N$  16 mA

**Load circuit:**

Number of make contacts/switch on contacts	1
Contact material (relay)	AgNi 0.15
Limiting continuous current	5 A
Max. make current (resistive)	4 s 16 A (AC)
Max. switching voltage	250 VAC
Max. switching power (resistive)	1250 VAAC
Pull-in time (typ.)	4 ms
Drop-out time (typ.)	6 ms
Bounce time (typ)	2 ms
Electrical life (N.O.; resistive load; 23 °C)	200 x 10 <sup>3</sup> switching operations
Mechanical life (N.O.; resistive load; 23 °C)	30 x 10 <sup>6</sup> switching operations

**Safety and protection:**

Rated voltage	250 V
Rated impulse voltage	4 kV
Pollution degree	2
Dielectric strength, control/load circuit (AC, 1 min)	4 kV <sub>rms</sub>
Dielectric strength, control/load circuit (AC, 1 min)	4 kV <sub>rms</sub>

**Connection data**

Connection technology	CAGE CLAMP®
WAGO terminal	WAGO 236 Series
Solid conductor	0.08 ... 2.5 mm <sup>2</sup> / 28 ... 12 AWG
Fine-stranded conductor	0.08 ... 2.5 mm <sup>2</sup> / 28 ... 12 AWG
Strip length	5 ... 6 mm / 0.2 ... 0.24 Inch

**Geometrical Data**

Width	13 mm / 0.512 inch
Height from upper-edge of DIN-35 rail	47 mm / 1.85 inch
Depth	85 mm / 3.346 inch

**Mechanical data**

Type of mounting	DIN-35 rail
------------------	-------------

**Material Data**

Color	gray
Weight	30.6 g

## Environmental Requirements

Surrounding air (operating) temperature at U <sub>N</sub>	-25 ... 40 °C
Pollution degree	2

## Standards and specifications


Standards/specifications	EN 60664-1
--------------------------	------------

## Commercial data




Country of origin	DE
GTIN	4045454468040
Customs Tariff No.	85364900990
Product Group	6 (Interface Electronics)

## Compatible products

### tools

	<b>Item no.: 210-720</b> Operating tool with partially insulated shaft; Type 2, blade (3.5 x 0.5) mm	<a href="http://www.wago.com/210-720">www.wago.com/210-720</a>
---	---	--

### Marking accessories

	<b>Item no.: 709-177</b> Marking strips; on reel; 7.5 mm wide; not stretchable; plain; snap-on type	<a href="http://www.wago.com/709-177">www.wago.com/709-177</a>
	<b>Item no.: 709-178</b> Marking strips; on reel; 7.5 mm wide; not stretchable; plain; snap-on type	<a href="http://www.wago.com/709-178">www.wago.com/709-178</a>
	<b>Item no.: 709-196</b> Marking strips; for laser printer	<a href="http://www.wago.com/709-196">www.wago.com/709-196</a>

## Downloads

### Documentation

#### Bid Text

288-364	Jan 22, 2016	DOC	Download
Relaisbaustein		27.1 kB	

#### Additional Information

Disposal; Electrical and electronic equipment, Packaging	Oct 15, 2018		Download
		265.8 kB	



smartDATA

CAD data

3D Download 288-364

URL

Download

---

Subject to changes.