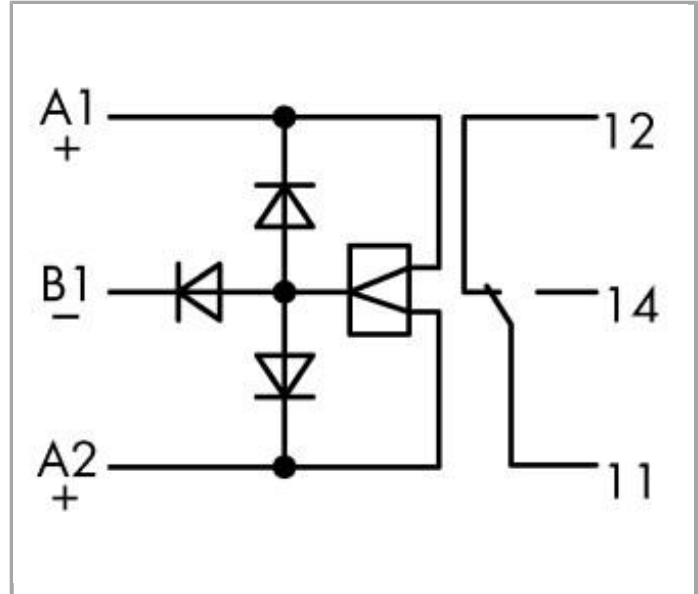


**Data sheet | Item number: 288-380**

Bistable relay module; Nominal input voltage: 24 VDC; 1 changeover contact;  
Limiting continuous current: 6 A; Module width: 21 mm



[www.wago.com/288-380](http://www.wago.com/288-380)



RoHS  Compliant

[BOMcheck.net](https://www.bomcheck.net)

Color: ■

**Data**

**Technical Data**

**Control circuit**

Nominal input voltage $U_N$	24 VDC
Input voltage range	-15 ... +20 %
Nominal input current at $U_N$	41.5 mA

**Load circuit:**

Number of changeover/switchover contacts	1
Contact material (relay)	AgNi 0.15
Limiting continuous current	6 A
Max. make current (resistive)	4 s 16 A (AC)
Max. switching voltage	250 VAC
Max. switching power (resistive)	1500 VAAC
Pull-in time (typ.)	9 ms
Drop-out time (typ.)	3 ms
Bounce time (typ.)	2 ms
Electrical life (N.O.; resistive load; 23 °C)	100 x 10 <sup>3</sup> switching operations
Mechanical life (N.O.; resistive load; 23 °C)	30 x 10 <sup>6</sup> switching operations

**Safety and protection:**

Rated voltage	250 V
Rated impulse voltage	4 kV
Pollution degree	2
Dielectric strength, control/load circuit (AC, 1 min)	4 kV <sub>rms</sub>
Dielectric strength, control/load circuit (AC, 1 min)	4 kV <sub>rms</sub>
Dielectric strength open contact (AC, 1 min)	1 kV <sub>rms</sub>
Dielectric strength open contact (AC, 1 min)	1 kV <sub>rms</sub>

**Connection data**

Connection technology	CAGE CLAMP®
WAGO terminal	WAGO 236 Series
Solid conductor	0.08 ... 2.5 mm <sup>2</sup> / 28 ... 12 AWG
Fine-stranded conductor	0.08 ... 2.5 mm <sup>2</sup> / 28 ... 12 AWG
Strip length	5 ... 6 mm / 0.2 ... 0.24 Inch

**Geometrical Data**

Width	20.5 mm / 0.807 inch
Height from upper-edge of DIN-35 rail	48 mm / 1.89 inch
Depth	85 mm / 3.346 inch

**Mechanical data**

Type of mounting	DIN-35 rail
------------------	-------------

## Material Data

Color	gray
Weight	43.3 g

## Environmental Requirements

Surrounding air (operating) temperature at U <sub>N</sub>	-25 ... 40 °C
Pollution degree	2

## Standards and specifications




Standards/specifications	EN 60664-1
--------------------------	------------

## Commercial data


Country of origin	DE
GTIN	4045454312336
Customs Tariff No.	85364900990
Product Group	6 (Interface Electronics)

## Compatible products

### Marking accessories

	<b>Item no.: 709-177</b> Marking strips; on reel; 7.5 mm wide; not stretchable; plain; snap-on type	<a href="http://www.wago.com/709-177">www.wago.com/709-177</a>
	<b>Item no.: 709-178</b> Marking strips; on reel; 7.5 mm wide; not stretchable; plain; snap-on type	<a href="http://www.wago.com/709-178">www.wago.com/709-178</a>
	<b>Item no.: 709-196</b> Marking strips; for laser printer	<a href="http://www.wago.com/709-196">www.wago.com/709-196</a>

### tools

	<b>Item no.: 210-720</b> Operating tool with partially insulated shaft; Type 2, blade (3.5 x 0.5) mm	<a href="http://www.wago.com/210-720">www.wago.com/210-720</a>
--	---	--

## Downloads

### Documentation

#### Bid Text

288-380	Jan 22, 2016	DOC	Download
Relaisbaustein		28.7 kB	

### Additional Information

Disposal; Electrical and electronic equipment, Packaging



Oct 15, 2018

Download

265.8 kB

---

Subject to changes.

---

WAGO Kontakttechnik GmbH & Co. KG  
Hansastr. 27  
32423 Minden  
Phone: +49571 887-0 | Fax: +49571 887-169  
Email: [info.de@wago.com](mailto:info.de@wago.com) | Web: [www.wago.com](http://www.wago.com)

Do you have any questions about our products?  
We are always happy to take your call at +49 (571) 887-44222.