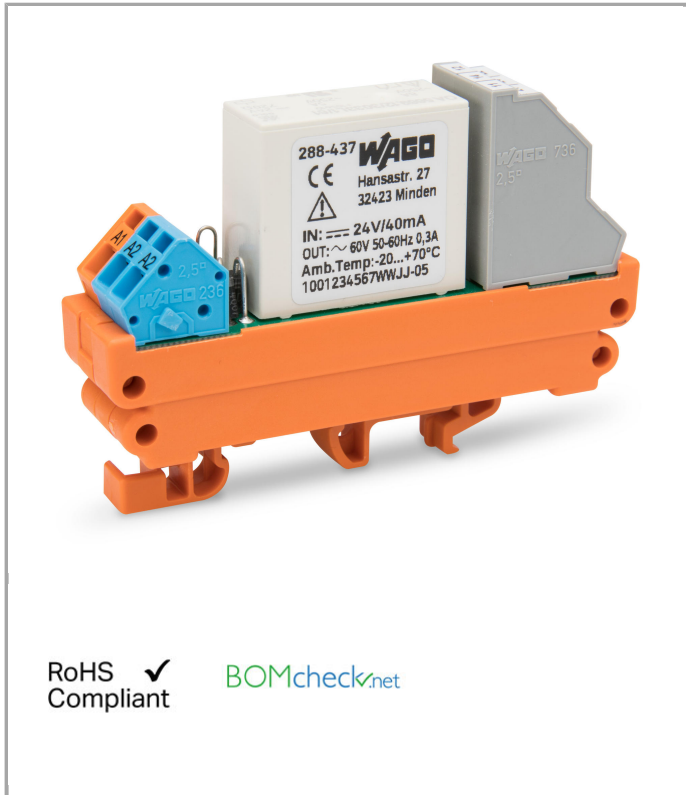


Data sheet | Item number: 288-437

Relay module with driven contacts; Nominal input voltage: 24 VDC; 2 changeover contacts; Limiting continuous current: 5 A; Module width: 19 mm

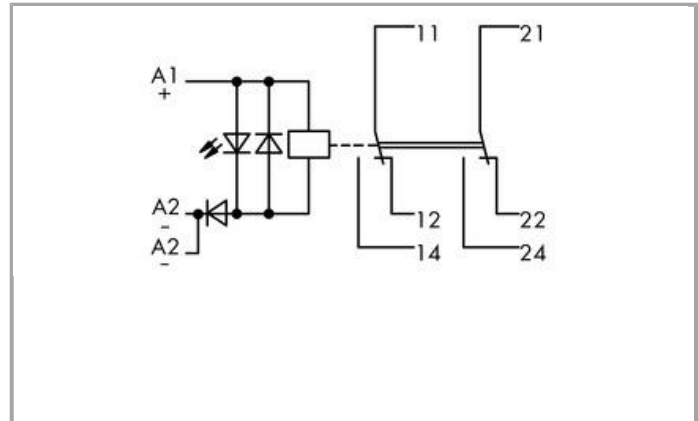


www.wago.com/288-437



RoHS  Compliant





Item description

Note:

In the case of gold-plated elementary relays switching voltages of 60 VDC and currents of 30 mA should not be exceeded. Higher switching power evaporates the gold layer.

Data

Technical Data

Control circuit

| | |
|--------------------------------|---------------|
| Nominal input voltage U_N | 24 VDC |
| Input voltage range | -15 ... +10 % |
| Nominal input current at U_N | 36 mA |

Load circuit:

| | |
|--|---|
| Number of changeover/switchover contacts | 2 |
|--|---|



| | |
|---|--|
| Contact material (relay) | AgNi 10 + Au |
| Limiting continuous current | 0.3 A |
| Max. switching voltage | 60 VAC |
| Max. switching power (resistive) | 7 VAAC |
| Recommended minimum load | 0.1 V / 1 mA / 1 mW |
| Pull-in time (typ.) | 15 ms |
| Drop-out time (typ.) | 12 ms |
| Electrical life (N.O.; resistive load; 23 °C) | 100 x 10 ³ switching operations |
| Mechanical life (N.O.; resistive load; 23 °C) | 50 x 10 ⁶ switching operations |

Safety and protection:

| | |
|---|-----------------------|
| Rated voltage | 250 V |
| Rated impulse voltage | 1.5 kV |
| Pollution degree | 2 |
| Dielectric strength, control/load circuit (AC, 1 min) | 4 kV _{rms} |
| Dielectric strength, control/load circuit (AC, 1 min) | 4 kV _{rms} |
| Dielectric strength open contact (AC, 1 min) | 1.5 kV _{rms} |
| Dielectric strength open contact (AC, 1 min) | 1.5 kV _{rms} |
| Dielectric strength, load/load circuit (AC, 1 min) | 1 kV _{rms} |
| Dielectric strength, load/load circuit (AC, 1 min) | 1 kV _{rms} |

Connection data

| | |
|-------------------------|--|
| Connection technology | CAGE CLAMP® |
| WAGO terminal | WAGO 236 Series |
| Solid conductor | 0.08 ... 2.5 mm ² / 28 ... 12 AWG |
| Fine-stranded conductor | 0.08 ... 2.5 mm ² / 28 ... 12 AWG |
| Strip length | 5 ... 6 mm / 0.2 ... 0.24 Inch |

Geometrical Data

| | |
|---------------------------------------|--------------------|
| Width | 19 mm / 0.748 inch |
| Height from upper-edge of DIN-35 rail | 38 mm / 1.496 inch |
| Depth | 85 mm / 3.346 inch |

Mechanical data

| | |
|------------------|-------------|
| Type of mounting | DIN-35 rail |
|------------------|-------------|

Material Data

| | |
|--------|--------|
| Color | grey |
| Weight | 44.2 g |

Environmental Requirements

| | |
|---|---------------|
| Surrounding air (operating) temperature at U _N | -25 ... 70 °C |
| Pollution degree | 2 |

Standards and specifications




| | |
|--------------------------|--------------------------|
| Standards/specifications | EN 61010-2-201; EN 50205 |
|--------------------------|--------------------------|

Commercial data


| | |
|--------------------|---------------------------|
| Country of origin | DE |
| GTIN | 4045454560133 |
| Customs Tariff No. | 85364900990 |
| Product Group | 6 (Interface Electronics) |

Compatible products

Marking accessories

| | | |
|--|--|--|
|  | Item no.: 709-177 Marking strips; on reel; 7.5 mm wide; not stretchable; plain; snap-on type | www.wago.com/709-177 |
|  | Item no.: 709-178 Marking strips; on reel; 7.5 mm wide; not stretchable; plain; snap-on type | www.wago.com/709-178 |
|  | Item no.: 709-196 Marking strips; for laser printer | www.wago.com/709-196 |

tools

| | | |
|--|---|--|
|  | Item no.: 210-720 Operating tool with partially insulated shaft; Type 2, blade (3.5 x 0.5) mm | www.wago.com/210-720 |
|--|---|--|

Downloads

Documentation

Bid Text

| | | | |
|----------------|--------------|---------|----------|
| 288-437 | Jan 22, 2016 | DOC | Download |
| Relaisbaustein | | 28.7 kB | |

Instruction Leaflet



Relay Module with Force-Guided Contacts

V 1.0.0
Jan 4, 2018

PDF
816.2 kB

[Download](#)

Additional Information

Disposal; Electrical and electronic equipment, Packaging

Oct 15, 2018

265.8 kB

[Download](#)

Subject to changes.