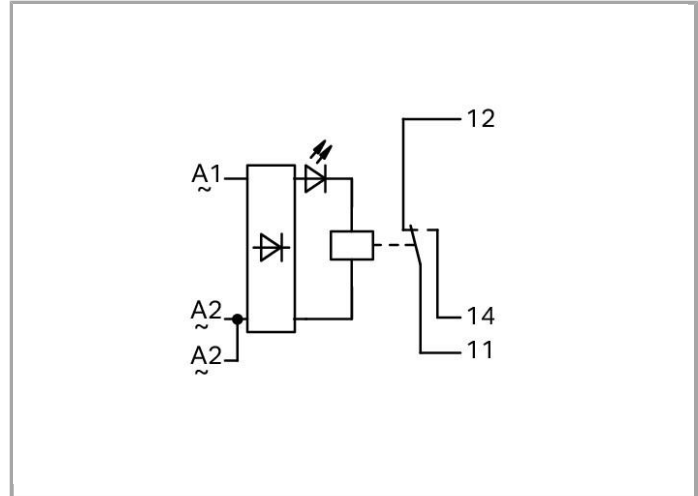
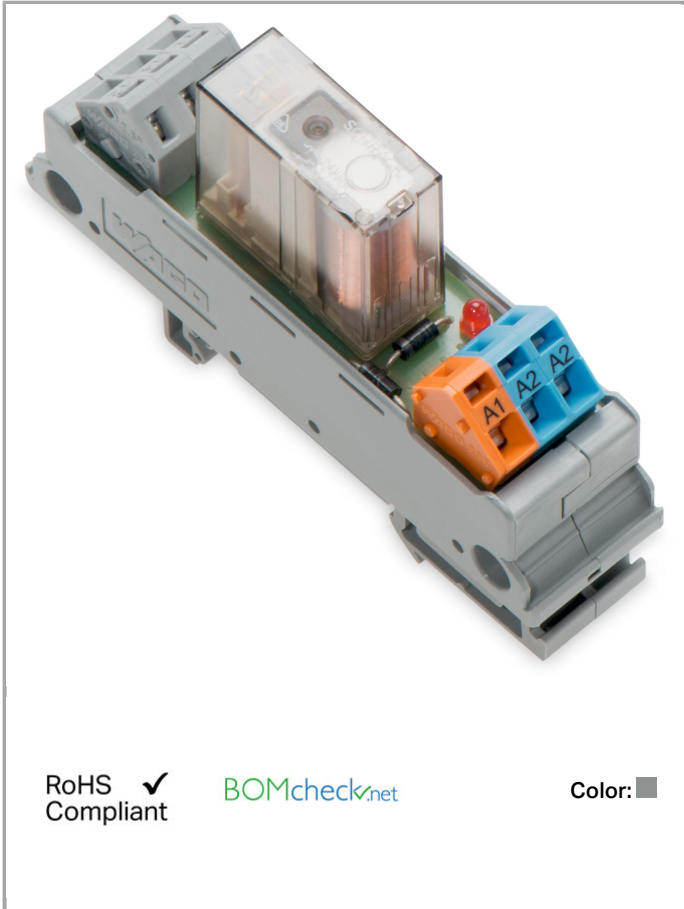


Data sheet | Item number: 288-504

Relay module; Nominal input voltage: 24 V AC/DC; 1 changeover contact

www.wago.com/288-504



RoHS Compliant

[BOMcheck.net](https://www.bomcheck.net)

Color: ■

Data

Technical Data

Control circuit

| | |
|--------------------------------|------------|
| Nominal input voltage U_N | 24 V AC/DC |
| Nominal input current at U_N | 21.8 mA |

Load circuit:

| | |
|--|---------------|
| Number of changeover/switchover contacts | 1 |
| Contact material (relay) | AgNi 0.15 |
| Limiting continuous current | 6 A |
| Max. make current (resistive) | 4 s 16 A (AC) |
| Max. switching voltage | 250 VAC |



| | |
|---|--|
| Max. switching power (resistive) | 1500 VAAC |
| Pull-in time (typ.) | 9 ms |
| Drop-out time (typ.) | 3 ms |
| Bounce time (typ) | 2 ms |
| Electrical life (N.O.; resistive load; 23 °C) | 100 x 10 ³ switching operations |
| Mechanical life (N.O.; resistive load; 23 °C) | 30 x 10 ⁶ switching operations |

Safety and protection:

| | |
|---|---------------------|
| Rated voltage | 250 V |
| Rated impulse voltage | 2.5 kV |
| Pollution degree | 2 |
| Dielectric strength, control/load circuit (AC, 1 min) | 4 kV _{rms} |
| Dielectric strength, control/load circuit (AC, 1 min) | 4 kV _{rms} |
| Dielectric strength open contact (AC, 1 min) | 1 kV _{rms} |
| Dielectric strength open contact (AC, 1 min) | 1 kV _{rms} |

Connection data

| | |
|-------------------------|--|
| Connection technology | CAGE CLAMP® |
| WAGO terminal | WAGO 236 Series |
| Solid conductor | 0.08 ... 2.5 mm ² / 28 ... 12 AWG |
| Fine-stranded conductor | 0.08 ... 2.5 mm ² / 28 ... 12 AWG |
| Strip length | 5 ... 6 mm / 0.2 ... 0.24 Inch |

Geometrical Data

| | |
|---------------------------------------|----------------------|
| Width | 20.5 mm / 0.807 inch |
| Height from upper-edge of DIN-35 rail | 48 mm / 1.89 inch |
| Depth | 85 mm / 3.346 inch |

Mechanical data

| | |
|------------------|-------------|
| Type of mounting | DIN-35 rail |
|------------------|-------------|

Material Data

| | |
|-----------|----------|
| Color | gray |
| Fire load | 0.639 MJ |
| Weight | 40.653 g |

Environmental Requirements

| | |
|--|---------------|
| Surrounding air (operating) temperature at U_N | -25 ... 40 °C |
| Surrounding air (storage) temperature | -40 ... 80 °C |
| Pollution degree | 2 |

Standards and specifications




| | |
|--------------------------|------------|
| Standards/specifications | EN 60664-1 |
|--------------------------|------------|

Commercial data


| | |
|--------------------|---------------------------|
| Country of origin | CN |
| GTIN | 4055143559119 |
| Customs Tariff No. | 85364900990 |
| Product Group | 6 (Interface Electronics) |

Compatible products

Marking accessories

| | | |
|--|--|--|
|  | Item no.: 709-177 Marking strips; on reel; 7.5 mm wide; not stretchable; plain; snap-on type | www.wago.com/709-177 |
|  | Item no.: 709-178 Marking strips; on reel; 7.5 mm wide; not stretchable; plain; snap-on type | www.wago.com/709-178 |
|  | Item no.: 709-196 Marking strips; for laser printer | www.wago.com/709-196 |

tools

| | | |
|--|---|--|
|  | Item no.: 210-720 Operating tool with partially insulated shaft; Type 2, blade (3.5 x 0.5) mm | www.wago.com/210-720 |
|--|---|--|

Downloads

Documentation

Bid Text

| | | | |
|----------------|--------------|---------|----------|
| 288-504 | Jan 22, 2016 | DOC | Download |
| Relaisbaustein | | 27.1 kB | |

Additional Information

| | | | |
|--|--------------|----------|----------|
| Disposal; Electrical and electronic equipment, Packaging | Oct 15, 2018 | | Download |
| | | 265.8 kB | |



smartDATA

CAD data

3D Download 288-504

URL

Download

Subject to changes.