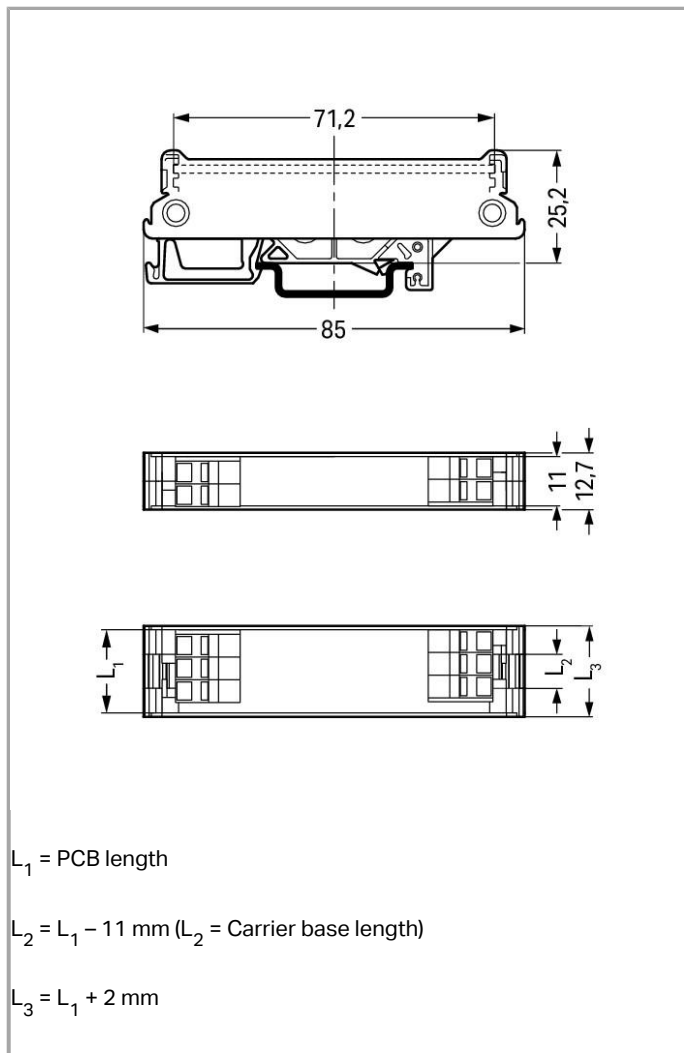
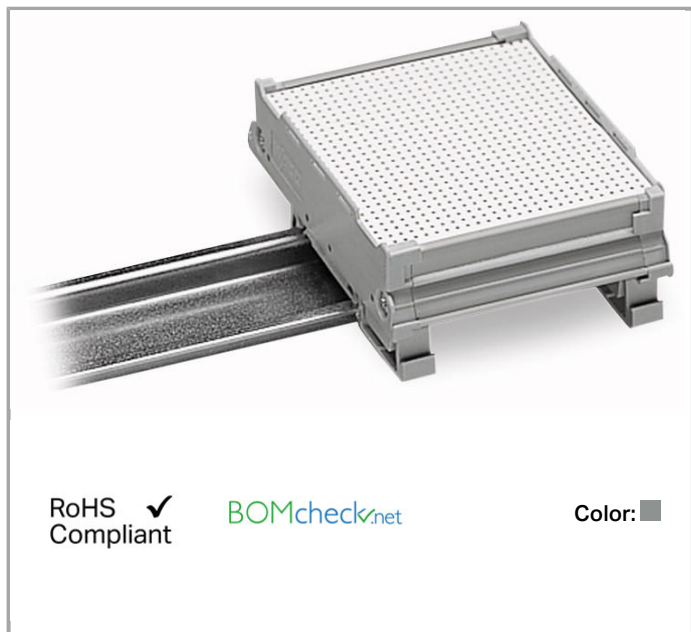
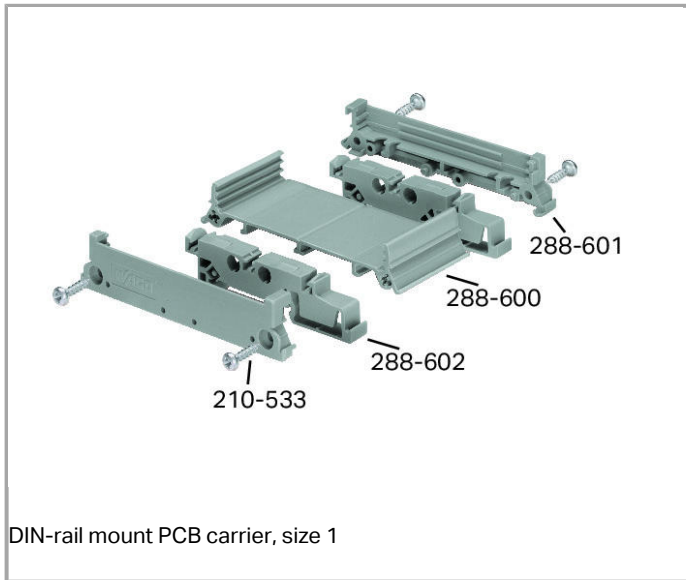


Data sheet | Item number: 288-600

Track section; Size 1; 1 m long

www.wago.com/288-600





DIN-rail mount PCB carrier, size 1

Item description

DIN-rail mount PCB carrier, size 1 – carrier base, size 1; 1 m long

Note:

In order to determine the length of a complete mounting carrier:

Length of PCB: L1

Length of track section: $L2 = L1 - 11 \text{ mm} / 0.433 \text{ in}$

Length of mounting carrier: $L3 = L1 + 1.7 \text{ mm} / 0.067 \text{ in}$

with lateral cover size 1, 6.35 mm/0.25 in thick.

Distance between PCB and upper groove of track section is 5 mm/0.197 in

PCB tolerances: thickness $1.5 \text{ mm} \pm 0.2 \text{ mm}$, length/width $\pm 0.2 \text{ mm}$; $-0.1/+0.3$ for milling contours

Data

Geometrical Data

Width	1000 mm / 39.37 inch
Depth	71.2 mm / 2.803 inch

Mechanical data

Type of mounting	DIN-35 rail
------------------	-------------

Material Data




Color	gray
Weight	260 g

Commercial data

Country of origin	DE
GTIN	4017332639484
Customs Tariff No.	85472000900
Product Group	6 (Interface Electronics)

Compatible products

Marking accessories

	Item no.: 709-177 Marking strips; on reel; 7.5 mm wide; not stretchable; plain; snap-on type	www.wago.com/709-177
	Item no.: 709-178 Marking strips; on reel; 7.5 mm wide; not stretchable; plain; snap-on type	www.wago.com/709-178
	Item no.: 709-196 Marking strips; for laser printer	www.wago.com/709-196

General accessories

	Item no.: 210-533 Phillips screw 2.9 x 13	www.wago.com/210-533
	Item no.: 288-601 Lateral cover; Size 1; small; 6.35 mm thick	www.wago.com/288-601
	Item no.: 288-602 Fixing foot for DIN 35 rail	www.wago.com/288-602

Downloads

Documentation

Additional Information

Disposal; Electrical and electronic equipment, Packaging	Oct 15, 2018	Download
		265.8 kB

smartDATA

CAD data

3D Download 288-600	URL	Download
---------------------	-----	----------



Subject to changes.

WAGO Kontakttechnik GmbH & Co. KG
Hansastr. 27
32423 Minden
Phone: +49571 887-0 | Fax: +49571 887-169
Email: info.de@wago.com | Web: www.wago.com

Do you have any questions about our products?
We are always happy to take your call at +49 (571) 887-44222.